

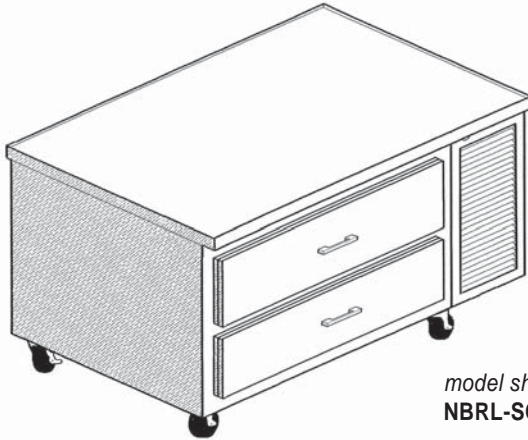


# SELF-CONTAINED CHEF EQUIPMENT BASE REFRIGERATORS

Project \_\_\_\_\_

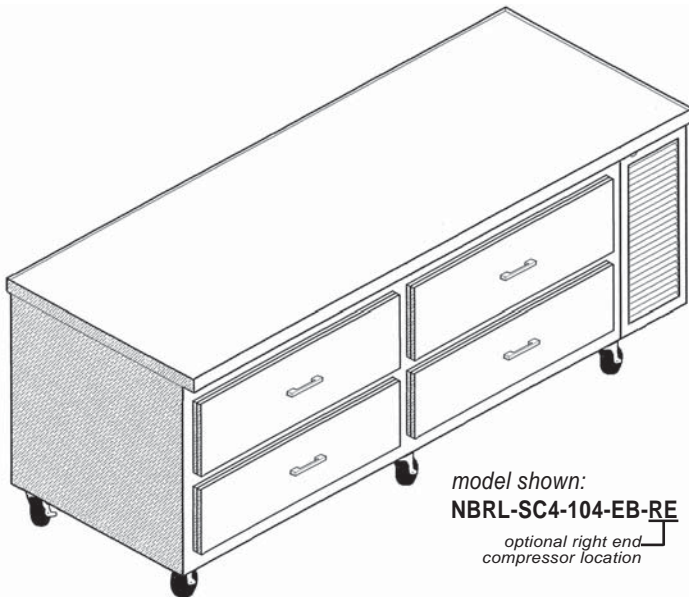
Dealer \_\_\_\_\_

Item # \_\_\_\_\_ Quantity \_\_\_\_\_



model shown:  
**NBRL-SC2-60-EB-RE**

optional right end  
compressor location



model shown:  
**NBRL-SC4-104-EB-RE**

optional right end  
compressor location

## SPECIFICATION

### ELECTRICAL:

115volts, 60 Hz, 1 phase AC.  
AMP: 15A MAX (on all Self Contained units)

### REFRIGERATION:

R22, Adjustable temperature control



## NOMENCLATURE

**NBRL-SC** - - **EB** - - (other options)

sizes:

2 - 48 = 2 drawers 48"  
2 - 60 = 2 drawers 60"  
4 - 79 = 4 drawers 79"  
4 - 104 = 4 drawers 104"

Equipment Base

condenser location:  
(from left to right)  
LE - left end  
RE - right end

## MODELS

model #	length
<input type="checkbox"/> <b>NBRL-SC2-48-EB</b> .....	48"
<input type="checkbox"/> <b>NBRL-SC2-60-EB</b> .....	60"
<input type="checkbox"/> <b>NBRL-SC4-79-EB</b> .....	79"
<input type="checkbox"/> <b>NBRL-SC4-104-EB</b> .....	104"

## STANDARD FEATURES

- 18 gauge 304 stainless steel construction
- Marine edge stainless steel top (30° angle)
- Galvanized subtop & sides
- Foam in place insulation
- Epoxy coated evaporator coil  
(refrigeration components field installed)
- Compressor / condensing unit
- Temperature Control
- Condensate evaporator pan
- Louvered access panel
- Heavy duty stainless steel sliders & rollers. Removable without tools for easy cleaning
- Standard 38° operating temperature
- 3 1/2" high casters
- Each drawer accommodates three full size 12 3/4"L X 20 7/8"W X 4"H (OD) food pans (sold separately). (only for models shown)

## OPTIONAL FEATURES

model #	description
<input type="checkbox"/> <b>FT</b> .....	flat top (no marine edge)
<input type="checkbox"/> <b>SSS</b> .....	s/s sides (left & right)
<input type="checkbox"/> <b>DL</b> .....	door locks
<input type="checkbox"/> <b>FC</b> (w/ 404A TEX valve).....	freezer conversion
<input type="checkbox"/> <b>RL</b> .....	6" high removable legs
<input type="checkbox"/> <b>CU</b> .....	stainless curb
<input type="checkbox"/> <b>DTC</b> .....	digital temp. control
<input type="checkbox"/> <b>M</b> .....	modified size

\*see options section for more details

**NATIONAL BAR SYSTEMS**

Phone: (714) 848-1688

16571 Burke Lane Huntington Beach, CA 92647

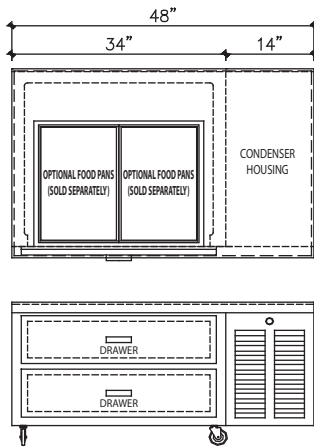
Fax: (714) 848-2788

Website: [www.nbsmfg.com](http://www.nbsmfg.com)

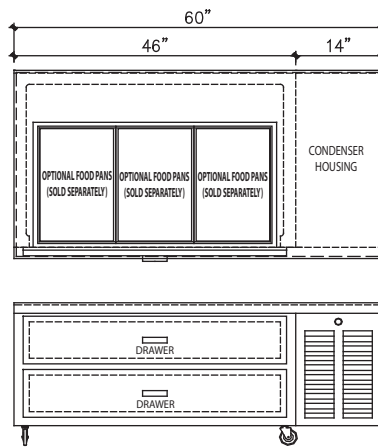


# SELF-CONTAINED CHEF EQUIPMENT BASE REFRIGERATORS

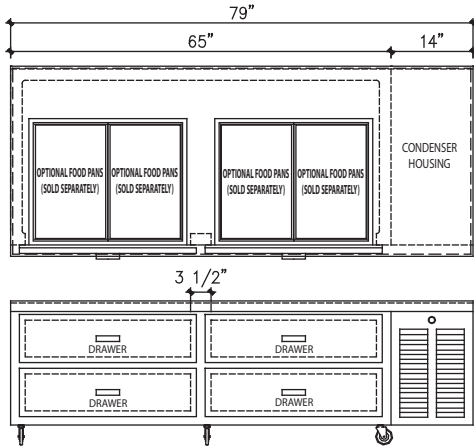
model shown:  
NBRL-SC2-48-EB-RE



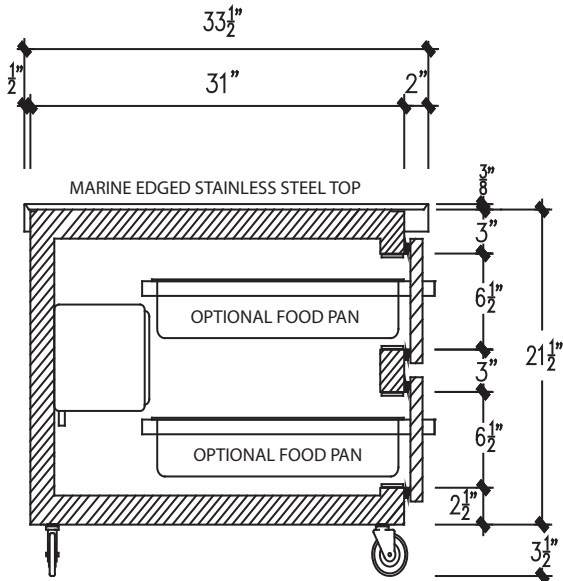
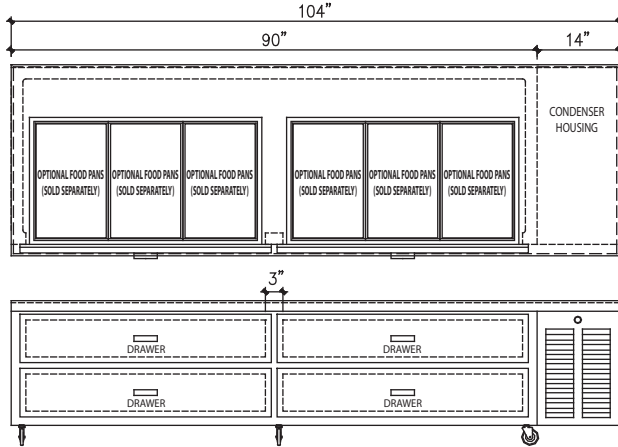
model shown:  
NBRL-SC2-60-EB-RE



model shown:  
NBRL-SC4-79-EB-RE



model shown:  
NBRL-SC4-104-EB-RE



## SECTION (ALL MODELS)

## TECHNICAL DATA

model #	length	shipping weight (lbs.)	no. of drawers
NBRL-SC2-48-EB	48"	215	2
NBRL-SC2-60-EB	60"	225	2
NBRL-SC4-79-EB	79"	250	4
NBRL-SC4-104-EB	104"	275	4