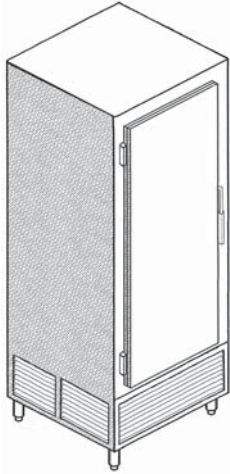




SELF-CONTAINED UPRIGHT REFRIGERATORS

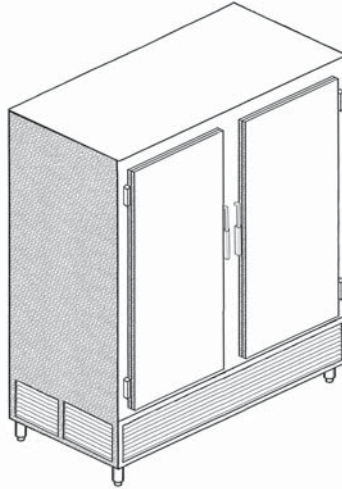
model shown:
NBRHU-SC1-24-SSD-(LH)

optional stainless steel doors, left hinged



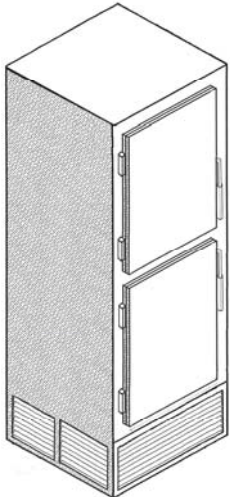
model shown:
NBRHU-SC2-48-SSD-(LHRH)

optional stainless steel doors, left & right hinged



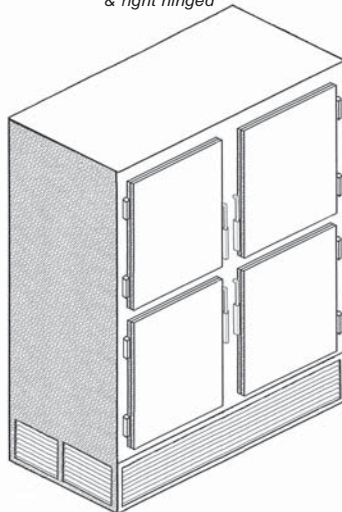
model shown:
NBRHU2-SC2-24-SSD-(LH)

optional stainless steel doors, left hinged



model shown:
NBRHU2-SC4-48-SSD-(LHRH)

optional stainless steel doors, left & right hinged



*for remote models inquiry
please call factory

SPECIFICATION

ELECTRICAL:

115volts, 60 Hz, 1 phase AC.
AMP: 15A MAX (on all Self Contained units)

REFRIGERATION:

R22, Adjustable digital temperature control



Project _____

Dealer _____

Item # _____ Quantity _____

NOMENCLATURE

NBRH -SC - - - () - (other options)

U = 1 tier
U2 = 2 tiers

1 tier sizes:
1 - 24 = 1 door 24"
2 - 48 = 2 door 48"
2 tier sizes:
2 - 24 = 2 door 24"
4 - 48 = 4 door 48"

door type:
BD - black vinyl clad doors (includes sides)
SSD - stainless doors
GD - glass doors
FLD - field laminate doors

hinge location:
(from left to right)
LH - left hinge
RH - right hinge

MODELS

model #	length
<input type="checkbox"/> NBRHU-SC1-24.....	24"
<input type="checkbox"/> NBRHU-SC2-48.....	48"
<input type="checkbox"/> NBRHU2-SC2-24.....	24"
<input type="checkbox"/> NBRHU2-SC4-48.....	48"

STANDARD FEATURES

- 304 stainless steel construction
- Stainless steel wire racks
- Galvanized top & back
- Sides will be the same as door type
- Foam in place insulation
- Epoxy coated evaporator coil (refrigeration components field installed)
- Compressor / condensing unit
- Temperature Control
- Condensate heated evaporator pan
- Louvered access panel
- Standard operating temperature of 38° F

OPTIONAL FEATURES

model #	description
<input type="checkbox"/> SSD.....	s/s doors
<input type="checkbox"/> GD.....	glass doors
<input type="checkbox"/> BD.....	black vinyl doors
<input type="checkbox"/> SSS.....	s/s sides (left & right)
<input type="checkbox"/> KC.....	keg conversion
<input type="checkbox"/> LT.....	lights
<input type="checkbox"/> FC (w/ 404A TEX valve).....	freezer conversion
<input type="checkbox"/> T28.....	28° F (chiller)
<input type="checkbox"/> T48.....	48° F (white wine)
<input type="checkbox"/> T58.....	58° F (red wine)
<input type="checkbox"/> CST.....	casters
<input type="checkbox"/> CU.....	4" high stainless curb
<input type="checkbox"/> DTC.....	digital temp. control
<input type="checkbox"/> M.....	modified size

*see options section for more details

NATIONAL BAR SYSTEMS

Phone: (714) 848-1688

16571 Burke Lane Huntington Beach, CA 92647

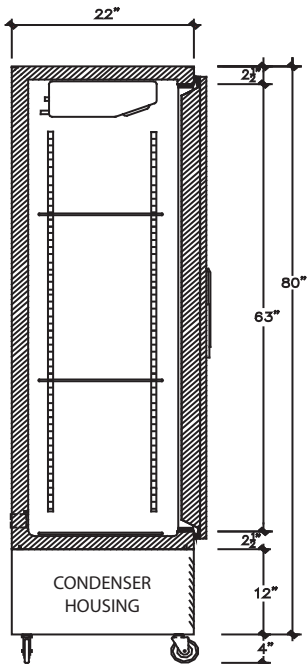
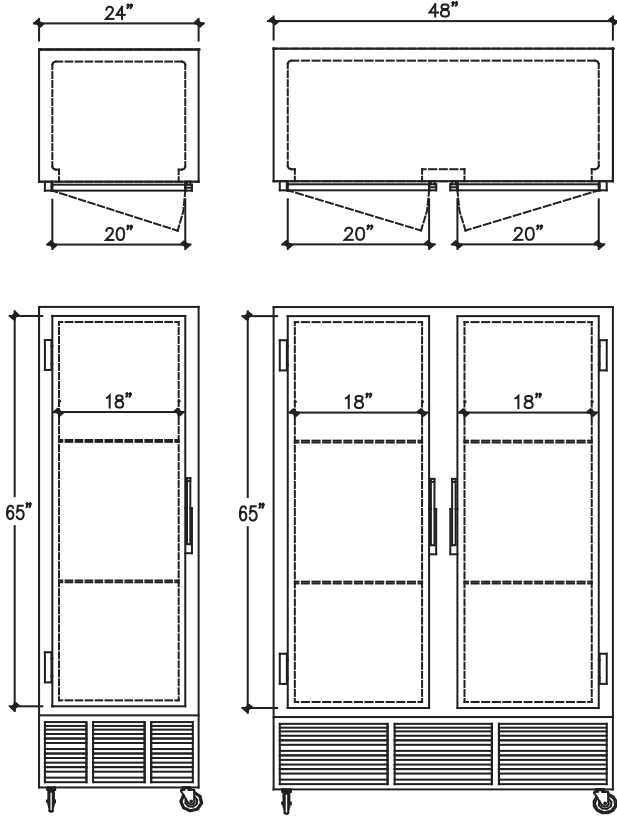
Fax: (714) 848-2788

Website: www.nbsmfg.com

NBRHU

model shown:
NBRHU-SC1-24-CST

model shown:
NBRHU-SC2-48-CST

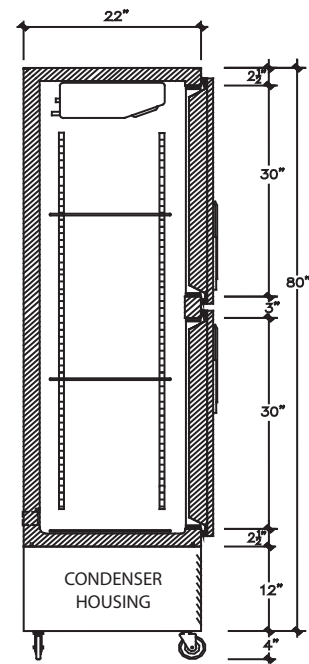
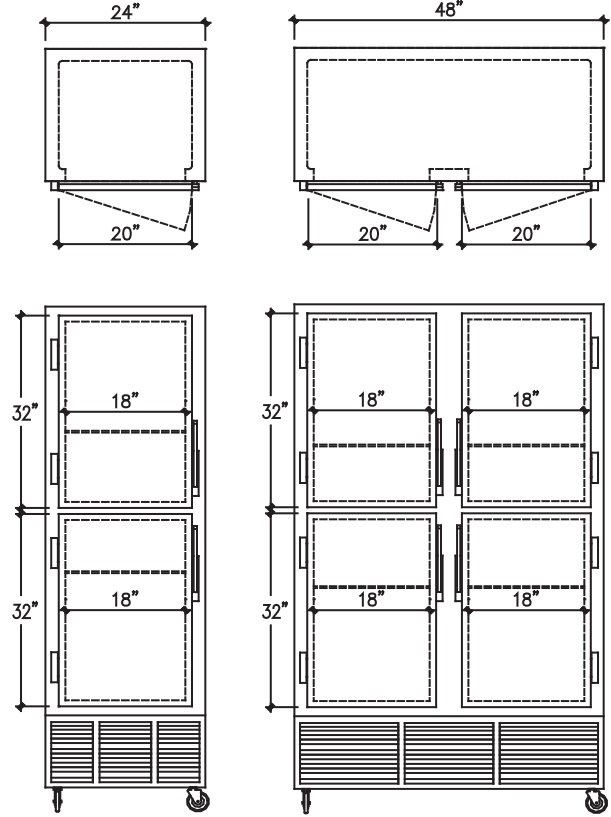


SECTION (NBRHU)

NBRHU2

model shown:
NBRHU2-SC2-24-CST

model shown:
NBRHU2-SC4-48-CST



SECTION (NBRHU2)

TECHNICAL DATA

model #	length	shipping weight (lbs.)	no. of doors
NBRHU-SC1-24	24"	425	1
NBRHU-SC2-48	48"	550	2
NBRHU2-SC2-24	24"	450	2
NBRHU2-SC4-48	48"	575	4