



UNDERCOUNTER SELF-CONTAINED REFRIGERATORS & FREEZERS

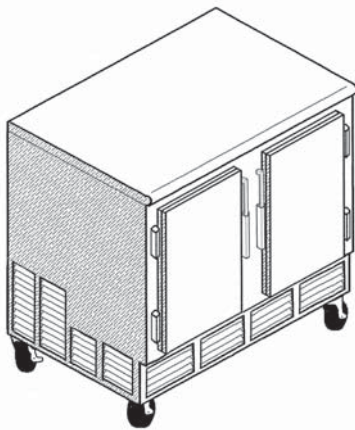
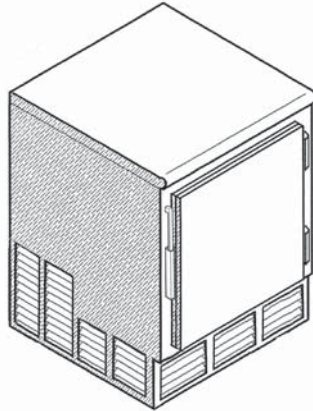
Project _____

Dealer _____

Item # _____ Quantity _____

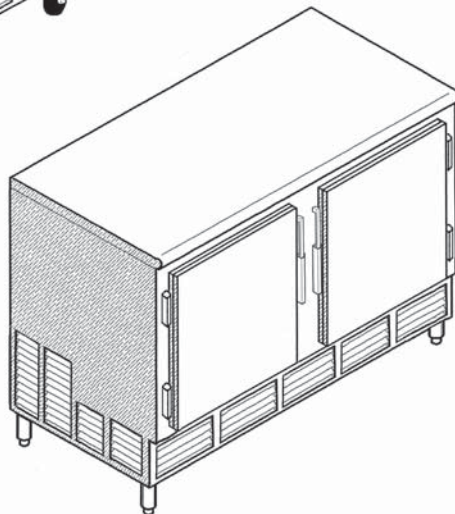
model shown:
NBRLU-SC1-24-SSD

optional stainless steel doors



model shown:
NBRLU-SC2-36-SSD-CST

optional stainless steel doors & casters



model shown:
NBRLU-SC2-48-SSD-RL

optional stainless steel doors & removable legs

SPECIFICATION

ELECTRICAL:

115volts, 60 Hz, 1 phase AC.
AMP: 15A MAX (on all Self Contained units)

REFRIGERATION:

R22, Adjustable digital temperature control



NOMENCLATURE

NBRLU - SC - - - () - (other options)

sizes:

1 - 24 = 1 door 24"
2 - 36 = 2 door 36"
3 - 48 = 2 door 48"

hinge location:
(from left to right)
LH - left hinge
RH - right hinge

door type:

BD - black vinyl clad doors (includes sides)
SSD - stainless doors
GD - glass doors
FLD - field laminate doors

MODELS

model #	length
<input type="checkbox"/> NBRLU-SC1-24.....	24"
<input type="checkbox"/> NBRLU-SC2-36.....	36"
<input type="checkbox"/> NBRLU-SC2-48.....	48"

STANDARD FEATURES

- 20 gauge 304 stainless
- Heavy duty stainless gaussets, 6" legs, adj. feet & support channels
- Wire Racks
- Galvanized subtop & sides
- 2" thick foam in place insulation
- Epoxy coated evaporator coil (refrigeration components field installed)
- Standard operating temperature of 38°F

OPTIONAL FEATURES

model #	description
<input type="checkbox"/> SSD	s/s doors
<input type="checkbox"/> BD	black vinyl doors
<input type="checkbox"/> GD	glass doors
<input type="checkbox"/> SSS	s/s sides (left & right)
<input type="checkbox"/> AS	s/s top & back
<input type="checkbox"/> LT	lights
<input type="checkbox"/> FC	freezer conversion
<input type="checkbox"/> CST35	3.5" high casters
<input type="checkbox"/> RL	removable legs
<input type="checkbox"/> CU	4" high stainless curb
<input type="checkbox"/> DTC	digital temp control
<input type="checkbox"/> M	modified size

*see options section for more details

NATIONAL BAR SYSTEMS

Phone: (714) 848-1688

16571 Burke Lane Huntington Beach, CA 92647

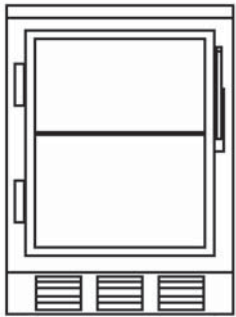
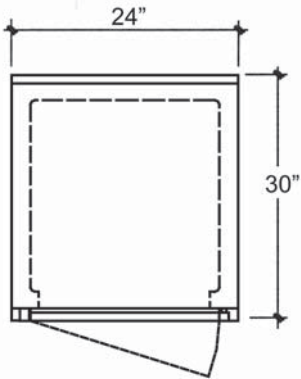
Fax: (714) 848-2788

Website: www.nbsmfg.com

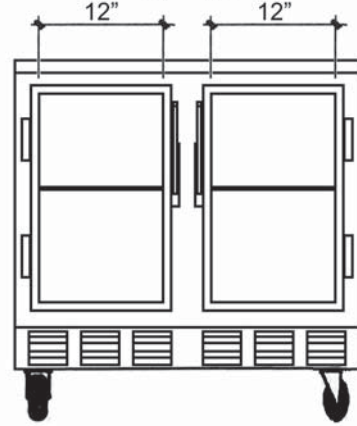
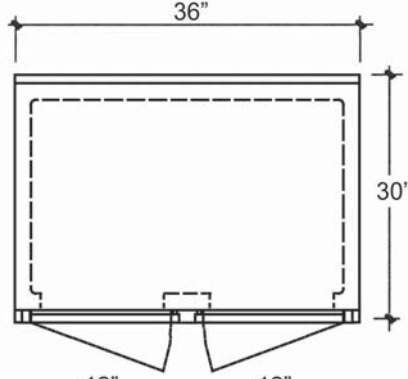


UNDERCOUNTER SELF-CONTAINED REFRIGERATORS & FREEZERS

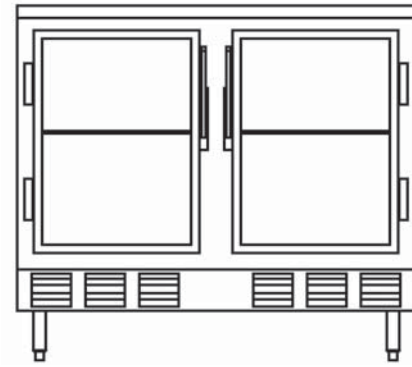
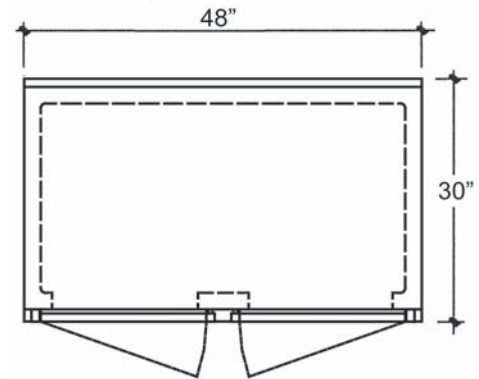
model shown:
NBRLU-SC1-24-SSD



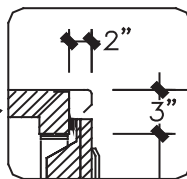
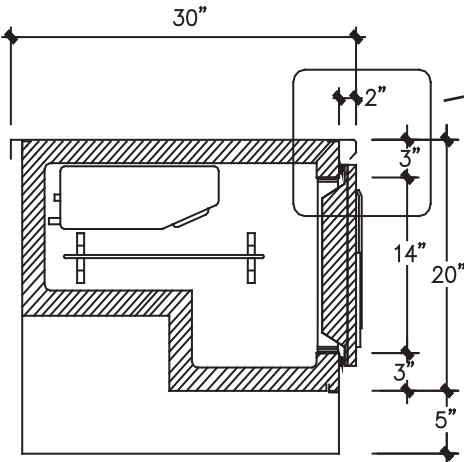
model shown:
NBRLU-SC2-36-SSD-CST



model shown:
NBRLU-SC2-48-SSD-RL



model shown:
NBRLU-SC1-24-SSD



TECHNICAL DATA

model #	length	shipping weight (lbs.)	no. of doors
NBRLU-SC1-24	24"	150	1
NBRLU-SC2-36	36"	175	2
NBRLU-SC2-48	48"	200	2

SECTION (ALL MODELS)

NATIONAL BAR SYSTEMS

Phone: (714) 848-1688

16571 Burke Lane Huntington Beach, CA 92647

Fax: (714) 848-2788

Website: www.nbsmfg.com