

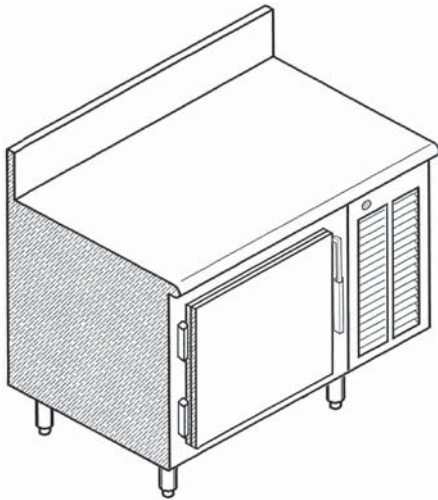


SELF-CONTAINED UNDERBAR REFRIGERATORS

Project _____

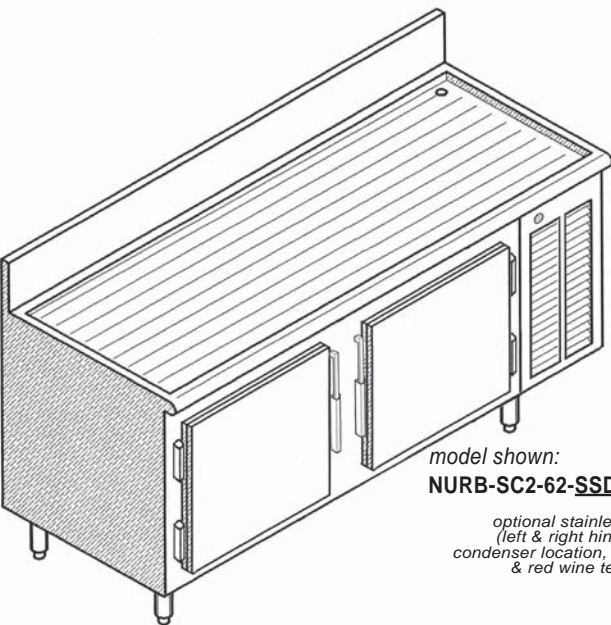
Dealer _____

Item # _____ Quantity _____



model shown:
NURB-SC1-38-SSD-RE-LH-T28

optional stainless steel doors,
(left hinged), right end
condenser location & chiller
temperature converted



model shown:
NURB-SC2-62-SSD-RE-LHRH-DT-T58

optional stainless steel doors,
(left & right hinged), right end
condenser location, drainboard top
& red wine temp. converted

SPECIFICATION

ELECTRICAL:

115volts, 60 Hz, 1 phase AC.
Amp: 15A Max (on all self contained units)

REFRIGERATION:

R22, Adjustable temperature control



NOMENCLATURE

NURB-SC - - - - () - - (other options)

sizes:
1 - 24 = 1 door 38"
2 - 48 = 2 door 62"
3 - 72 = 3 door 86"
4 - 96 = 4 door 110"

hinge location:
(from left to right)
LH - left hinge
RH - right hinge

temperature:
(from left to right)
standard :
38 = 38° F
optional:
FC = 0° F (freezer)
28 = 28° F (chiller)
48 = 48° F (white wine)
58 = 58° F (red wine)

door type:
BD - black vinyl clad doors
SSD - stainless doors
GD - glass doors
FLD - field laminate doors

condenser location:
(from left to right)
LE - left end
RE - right end

MODELS

model #	length
<input type="checkbox"/> NURB-SC1-38	38"
<input type="checkbox"/> NURB-SC2-62	62"
<input type="checkbox"/> NURB-SC3-86	86"
<input type="checkbox"/> NURB-SC4-110	110"

STANDARD FEATURES

- 18 gauge 304 Stainless
- Heavy duty stainless gussets, 6" legs, adj. feet & support channels (*Custom series*)
- Bullnose front design
- Seamless tops
- Sound insulation undercoating
- In place foam
- Wire racks
- Epoxy coated evaporator coil
- Compressor
- Louvered access panel
- Temperature control

OPTIONAL FEATURES

model #	description
<input type="checkbox"/> APR (removable).....	hinged apron frnt pnl
<input type="checkbox"/> DL	door locks
<input type="checkbox"/> LT	lights
<input type="checkbox"/> FC (refrigerant: 404A).....	freezer conversion
<input type="checkbox"/> 404C	404A conversion
<input type="checkbox"/> CST	casters
<input type="checkbox"/> CU	4" high stainless curb
<input type="checkbox"/> DT	drainboard top
<input type="checkbox"/> DTC	digital temp control
<input type="checkbox"/> M	modified size

*see options section for more details

NATIONAL BAR SYSTEMS

Phone: (714) 848-1688

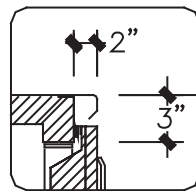
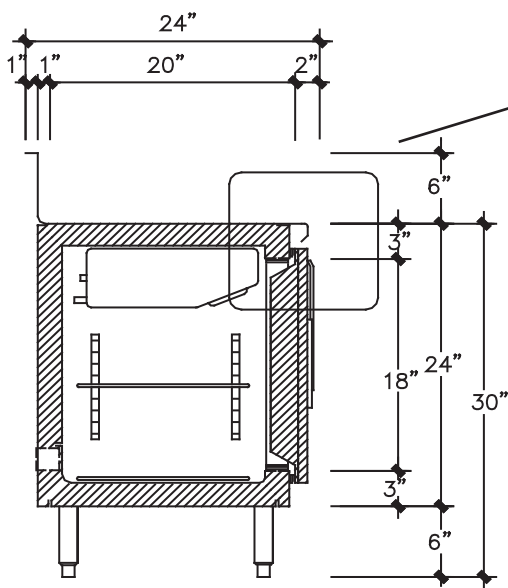
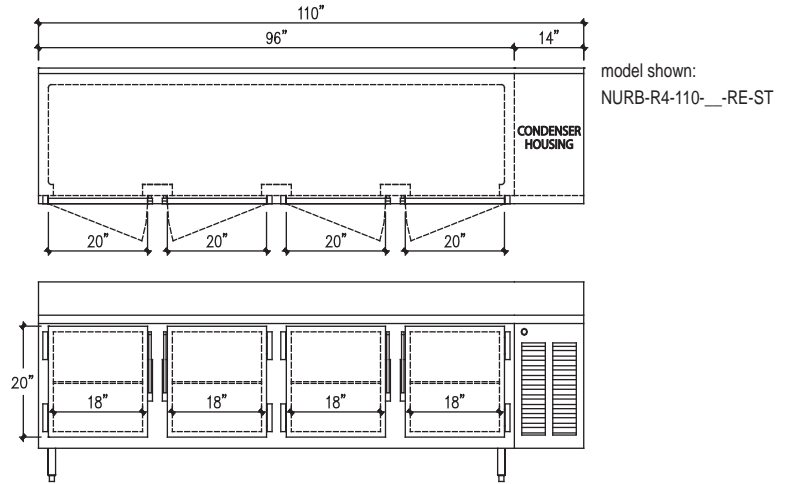
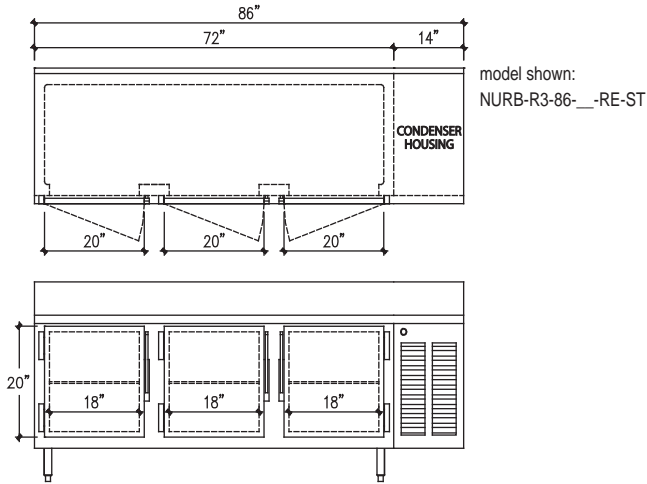
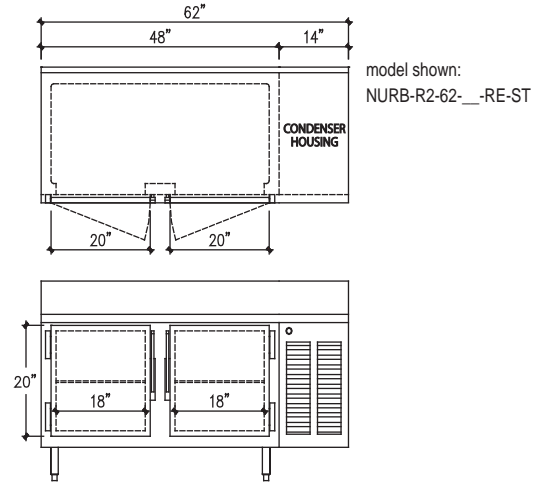
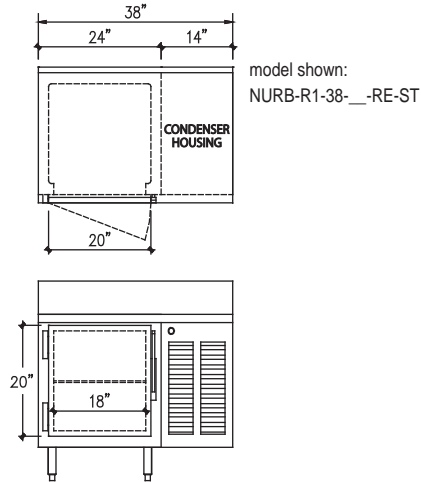
16571 Burke Lane Huntington Beach, CA 92647

Fax: (714) 848-2788

Website: www.nbsmfg.com



SELF-CONTAINED UNDERBAR REFRIGERATORS



TECHNICAL DATA

model #	length	shipping weight (lbs.)	no. of doors
NURB-SC1-38	38"	250	1
NURB-SC2-62	62"	300	2
NURB-SC3-86	86"	350	3
NURB-SC4-110	110"	400	4

SECTION (ALL MODELS)

NATIONAL BAR SYSTEMS

Phone: (714) 848-1688

16571 Burke Lane Huntington Beach, CA 92647

Fax: (714) 848-2788

Website: www.nbsmfg.com