

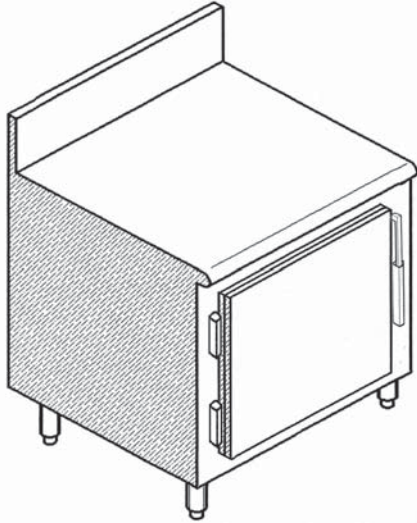


REMOTE UNDERBAR REFRIGERATORS

Project _____

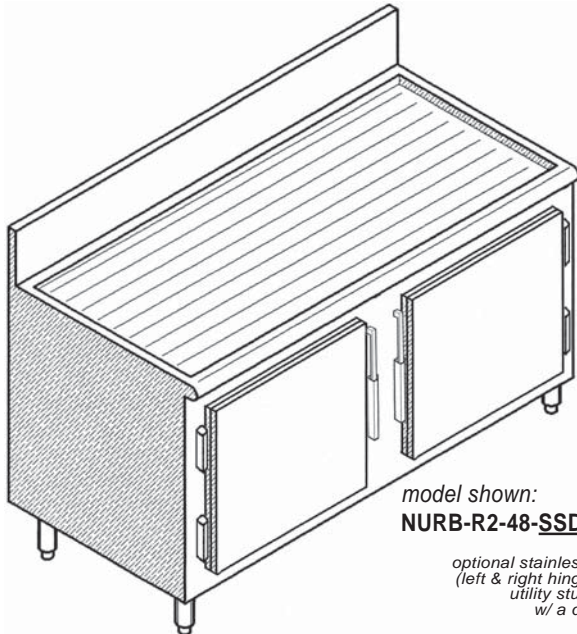
Dealer _____

Item # _____ Quantity _____



model shown:
NURB-R1-24-SSD-RE-(LH)-T48

optional stainless steel doors,
(left hinged), right end
utility stub out location
w/ white wine operating temp.



model shown:
NURB-R2-48-SSD-RE-(LHRH)-DT

optional stainless steel doors,
(left & right hinged), right end
utility stub out location
w/ a drainboard top

SPECIFICATION

ELECTRICAL:

115volts, 60 Hz, 1 phase AC.
Amp: 5A Max (on all Remote units)

REFRIGERATION:

R22, Adjustable temperature control



NOMENCLATURE

NURB-R - - - - () - T - (other options)

sizes:

- 1 - 24 = 1 door 24"
- 2 - 48 = 2 door 48"
- 3 - 72 = 3 door 72"
- 4 - 96 = 4 door 96"

hinge location:
(from left to right)
LH - left hinge
RH - right hinge

temperature:
(from left to right)
standard :
38 = 38° F
optional:
FC = 0° F (freezer)
28 = 28° F (chiller)
48 = 48° F (white wine)
58 = 58° F (red wine)

door type:
BD - black vinyl clad doors
SSD - stainless doors
GD - glass doors
FLD - field laminate doors

utility line stub out:
(from left to right)
LE - left end
RE - right end

MODELS

model #	length
<input type="checkbox"/> NURB-R1-24.....	24"
<input type="checkbox"/> NURB-R2-48.....	48"
<input type="checkbox"/> NURB-R3-72.....	72"
<input type="checkbox"/> NURB-R4-96.....	96"

STANDARD FEATURES

- 18 gauge 304 stainless
- Heavy duty stainless gussets, 6" legs, adj. feet & support channels (*Custom series*)
- Bullnose front design
- Seamless work tops
- Sound insulation undercoating
- Foam in place
- Wire racks
- Epoxy coated evaporator coil
- Spring hinged doors

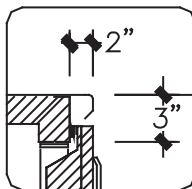
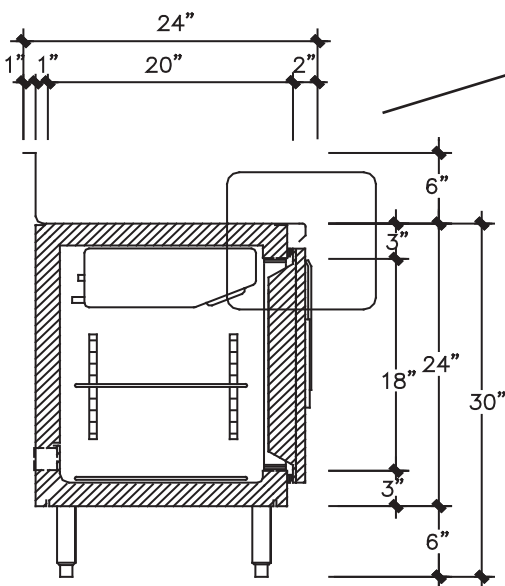
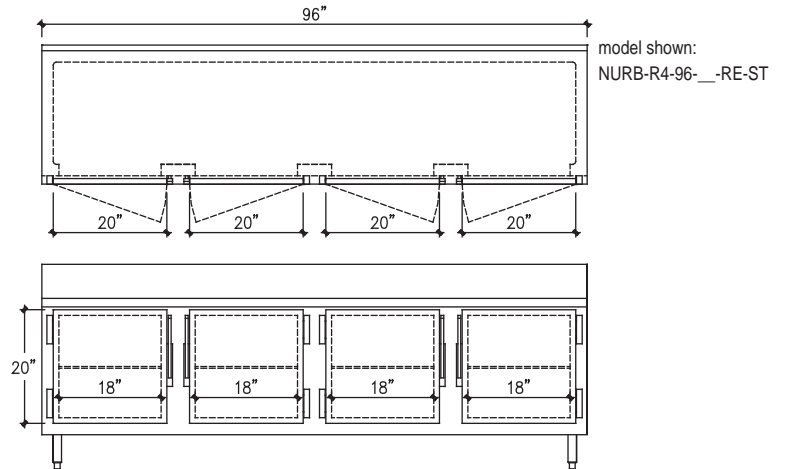
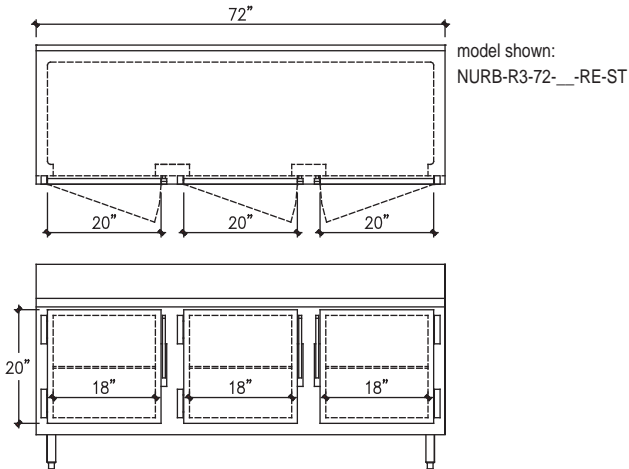
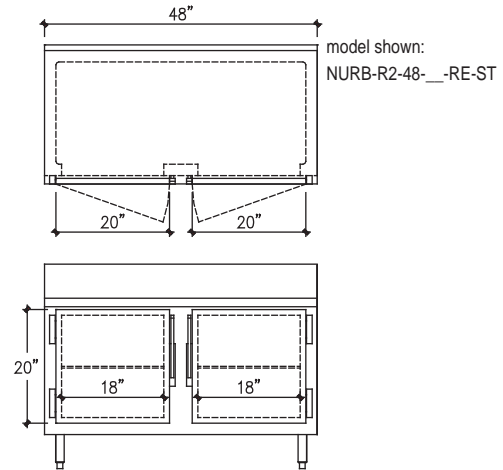
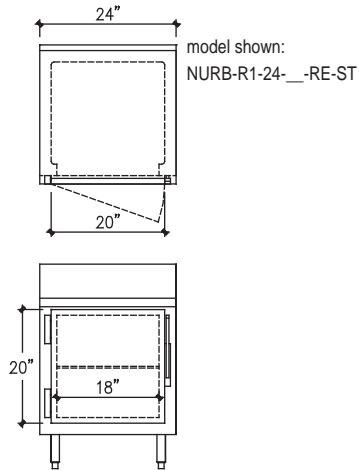
OPTIONAL FEATURES

model #	description
<input type="checkbox"/> DLR.....	door locks
<input type="checkbox"/> APR (removable).....	hinged apron frnt pnl
<input type="checkbox"/> LT.....	lights
<input type="checkbox"/> TX22.....	R22 TEX valve
<input type="checkbox"/> TX404.....	404A TEX valve
<input type="checkbox"/> SV.....	solenoid valve
<input type="checkbox"/> PPW.....	pre-piped & wired
<input type="checkbox"/> FC.....	freezer conversion
<input type="checkbox"/> CST.....	casters
<input type="checkbox"/> CU.....	6" high stainless curb
<input type="checkbox"/> DT.....	drainboard top
<input type="checkbox"/> DTC.....	digital temp. control
<input type="checkbox"/> M.....	modified size

*see options section for more details



REMOTE UNDERBAR REFRIGERATORS



TECHNICAL DATA

model #	length	shipping weight (lbs.)	no. of doors	*btu/hr.
NURB-R1-24	24"	200	1	800
NURB-R2-48	48"	250	2	1000
NURB-R3-72	72"	300	3	1200
NURB-R4-96	96"	350	4	1800

*add additional 300 btu/hr for each glass door

SECTION (ALL MODELS)

NATIONAL BAR SYSTEMS

Phone: (714) 848-1688

16571 Burke Lane Huntington Beach, CA 92647

Fax: (714) 848-2788

Website: www.nbsmfg.com