

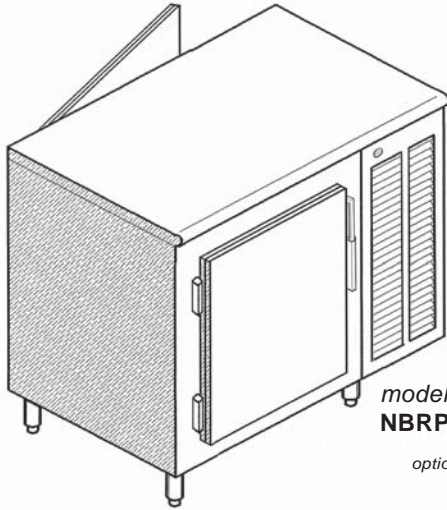


LOW SELF-CONTAINED 32" PASS-THRU REFRIGERATORS

Project _____

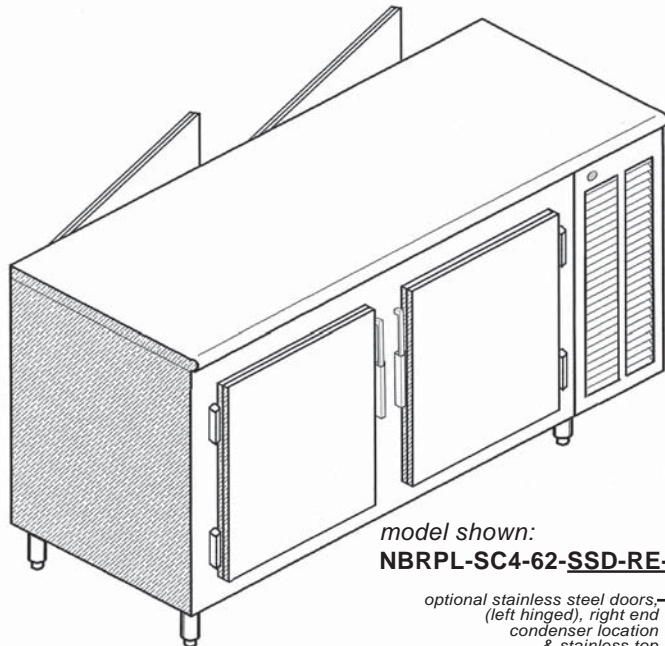
Dealer _____

Item # _____ Quantity _____



model shown:
NBRPL-SC2-38-SSD-(LH)-RE-ST

optional stainless steel doors,
(left hinged), right end
condenser location
& stainless top



model shown:
NBRPL-SC4-62-SSD-RE-LHRH-ST

optional stainless steel doors,
(left hinged), right end
condenser location
& stainless top

SPECIFICATION

ELECTRICAL:

115volts, 60 Hz, 1 phase AC.
AMD 15A MAX

REFRIGERATION:

R22, Adjustable temperature control



NOMENCLATURE

NBRPL-SC - - - () - - (other options)

sizes:
2 - 38 = 2 doors 38"
4 - 62 = 4 doors 62"
6 - 86 = 6 doors 86"
8 - 110 = 8 doors 110"
10 - 134 = 10 doors 134"

condenser location:
(from left to right)
LE - left end
RE - right end

door type:
BD - black vinyl clad doors
SSD - stainless doors
GD - glass doors
FLD - field laminate doors

hinge location:
(from left to right)
LH - left hinge
RH - right hinge

MODELS

model #	length
<input type="checkbox"/> NBRPL-SC2-38	38"
<input type="checkbox"/> NBRPL-SC4-62	62"
<input type="checkbox"/> NBRPL-SC6-86	86"
<input type="checkbox"/> NBRPL-SC8-110	110"
<input type="checkbox"/> NBRPL-SC10-134	134"

STANDARD FEATURES

- 18 gauge 304 stainless
- Heavy duty stainless gussets, 6" legs, adj. feet & support channels (*Custom series*)
- Wire racks
- Galvanized subtop & sides
- Foam in place insulation
- Epoxy coated evaporator coil
- Compressor / condensing unit
- Temperature Control
- Condensate evaporator pan
- Louvered access panel
- Standard operating temperature of 38° F

OPTIONAL FEATURES

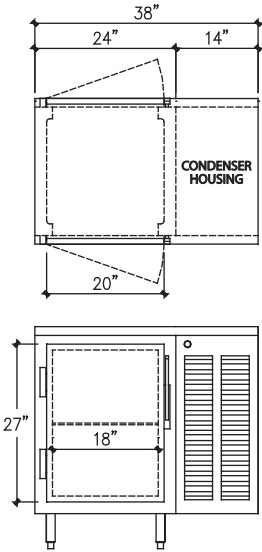
model #	description
<input type="checkbox"/> ST	stainless top
<input type="checkbox"/> SSS	s/s (left & right)
<input type="checkbox"/> KC	keg model
<input type="checkbox"/> DL	door locks
<input type="checkbox"/> LT	lights
<input type="checkbox"/> FC (w/ 404A TEX valve).....	freezer conversion
<input type="checkbox"/> T28	28° F (chiller)
<input type="checkbox"/> T48	48° F (white wine)
<input type="checkbox"/> T58	58° F (red wine)
<input type="checkbox"/> CST	casters
<input type="checkbox"/> CU	4" high stainless curb
<input type="checkbox"/> DTC	digital temp. control
<input type="checkbox"/> M	modified size

*see options section for more details

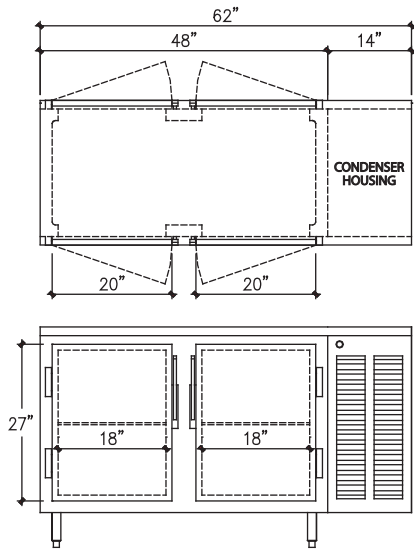


LOW SELF-CONTAINED 32" PASS-THRU REFRIGERATORS

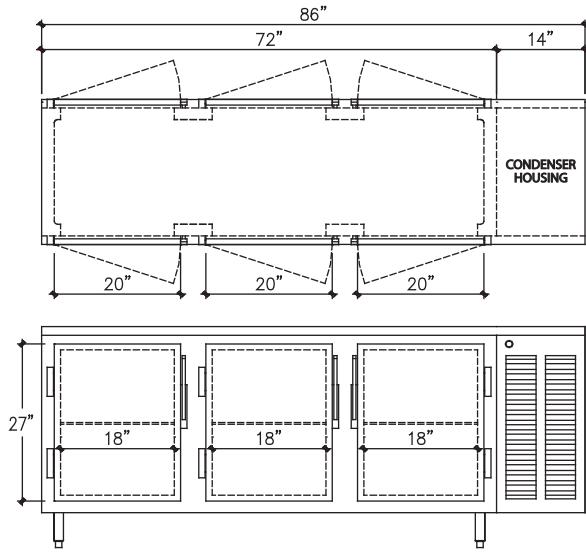
model shown:
NBRPL-SC2-38-(LH)



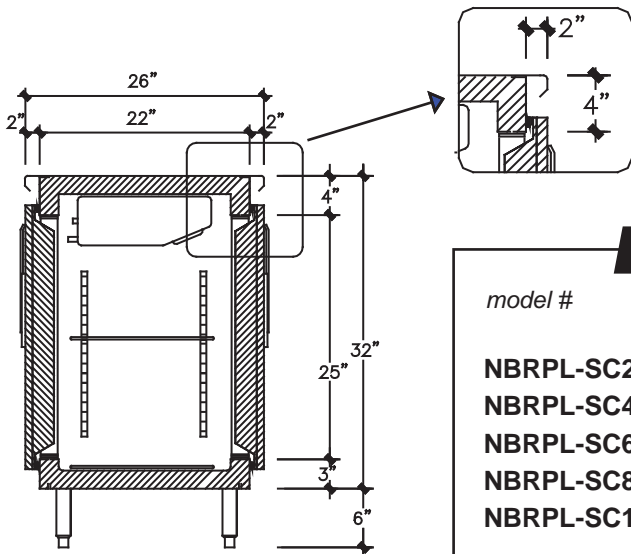
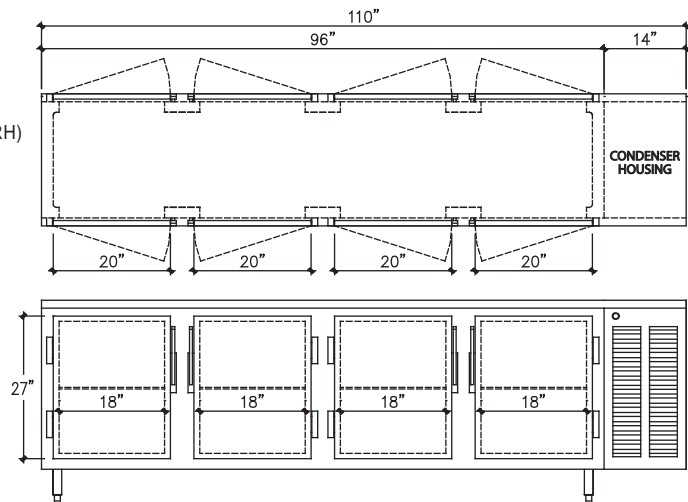
model shown:
NBRPL-SC4-62-(LHRH)



model shown:
NBRPL-SC6-86-(LHLHRH)



model shown:
NBRPL-SC8-110-(LHRHLHRH)



TECHNICAL DATA

model #	length	shipping weight (lbs.)	no. of doors
NBRPL-SC2-38	38"	200	2
NBRPL-SC4-62	62"	250	4
NBRPL-SC6-86	86"	300	6
NBRPL-SC8-110	110"	350	8
NBRPL-SC10-134**	134"	400	10

** (NBRPL-SC10-134 not shown)

SECTION (ALL MODELS)