

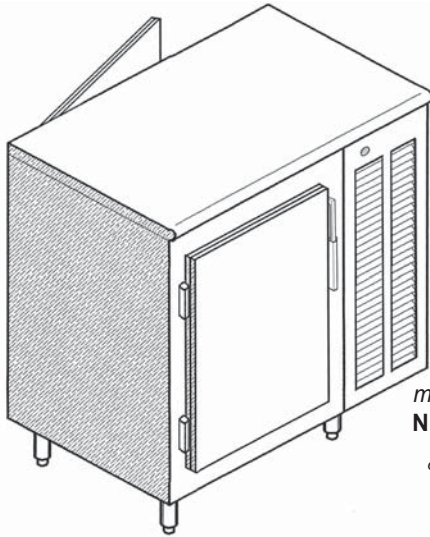


# HIGH SELF-CONTAINED 37" PASS-THRU REFRIGERATORS

Project \_\_\_\_\_

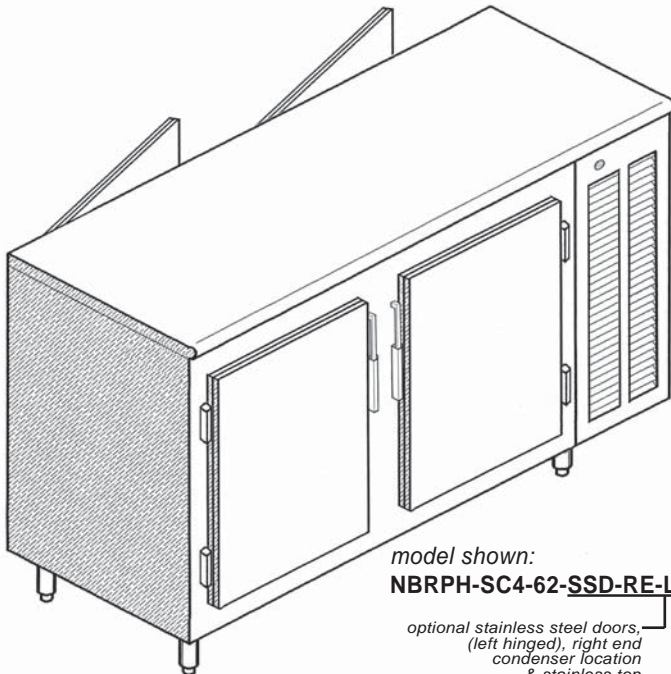
Dealer \_\_\_\_\_

Item # \_\_\_\_\_ Quantity \_\_\_\_\_



model shown:  
**NBRPH-SC2-38-SSD-LH-RE-ST**

optional stainless steel doors,  
(left hinged), right end  
condenser location  
& stainless top



model shown:  
**NBRPH-SC4-62-SSD-RE-LHRH-ST**

optional stainless steel doors,  
(left hinged), right end  
condenser location  
& stainless top

## SPECIFICATION

### ELECTRICAL:

115volts, 60 Hz, 1 phase AC.  
AMD 15A MAX

### REFRIGERATION:

R22, Adjustable temperature control



## NOMENCLATURE

**NBRPH-SC** - - - ( ) - - (other options)

sizes:  
2 - 38 = 2 doors 38"  
4 - 62 = 4 doors 62"  
6 - 86 = 6 doors 86"  
8 - 110 = 8 doors 110"  
10 - 134 = 10 doors 134"

door type:  
BD - black vinyl clad doors  
SSD - stainless doors  
GD - glass doors  
FLD - field laminate doors

condenser location:  
(from left to right)  
LE - left end  
RE - right end

hinge location:  
(from left to right)  
LH - left hinge  
RH - right hinge

## MODELS

model #	length
<input type="checkbox"/> <b>NBRPH-SC2-38</b> .....	38"
<input type="checkbox"/> <b>NBRPH-SC4-62</b> .....	62"
<input type="checkbox"/> <b>NBRPH-SC6-86</b> .....	86"
<input type="checkbox"/> <b>NBRPH-SC8-110</b> .....	110"
<input type="checkbox"/> <b>NBRPH-SC10-134</b> .....	134"

## STANDARD FEATURES

- 18 gauge 304 stainless
- Heavy duty stainless gussets, 6" legs, adj. feet & support channels (*Custom series*)
- Wire racks
- Galvanized subtop & sides
- Foam in place insulation
- Epoxy coated evaporator coil
- Compressor / condensing unit
- Temperature Control
- Condensate evaporator pan
- Louvered access panel
- Standard operating temperature of 38° F

## OPTIONAL FEATURES

model #	description
<input type="checkbox"/> <b>ST</b> .....	stainless top
<input type="checkbox"/> <b>SSS</b> .....	s/s (left & right)
<input type="checkbox"/> <b>KC</b> .....	keg model
<input type="checkbox"/> <b>DL</b> .....	door locks
<input type="checkbox"/> <b>LT</b> .....	lights
<input type="checkbox"/> <b>FC</b> (w/ 404A TEX valve).....	freezer conversion
<input type="checkbox"/> <b>T28</b> .....	28° F (chiller)
<input type="checkbox"/> <b>T48</b> .....	48° F (white wine)
<input type="checkbox"/> <b>T58</b> .....	58° F (red wine)
<input type="checkbox"/> <b>CST</b> .....	casters
<input type="checkbox"/> <b>CU</b> .....	4" high stainless curb
<input type="checkbox"/> <b>DTC</b> .....	digital temp. control
<input type="checkbox"/> <b>M</b> .....	modified size

\*see options section for more details

**NATIONAL BAR SYSTEMS**

Phone: (714) 848-1688

16571 Burke Lane Huntington Beach, CA 92647

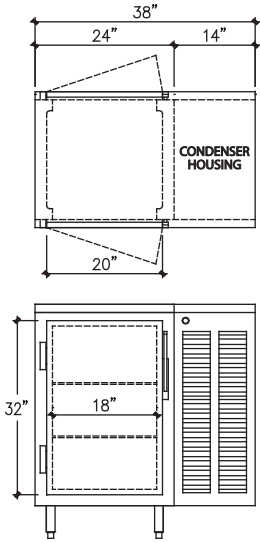
Fax: (714) 848-2788

Website: [www.nbsmfg.com](http://www.nbsmfg.com)

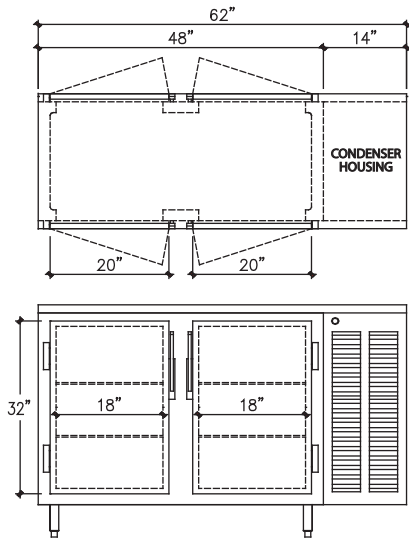


# HIGH SELF-CONTAINED 37" PASS-THRU REFRIGERATORS

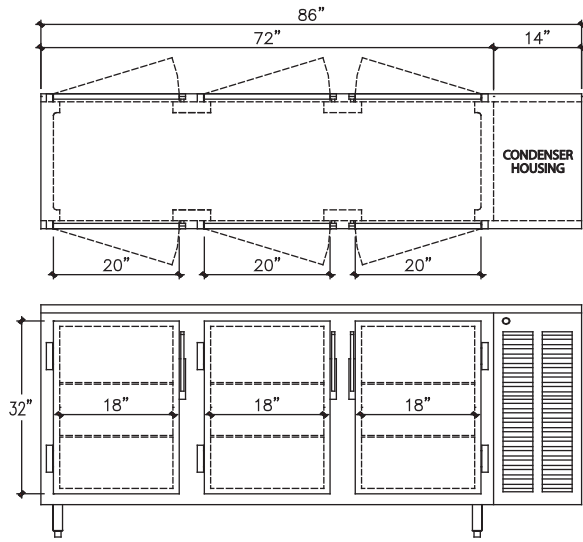
model shown:  
NBRPH-SC2-38-(LH)



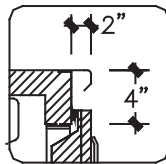
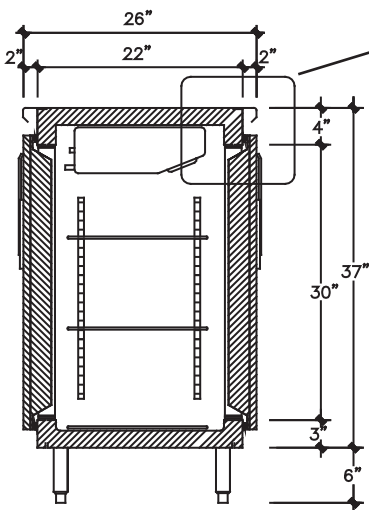
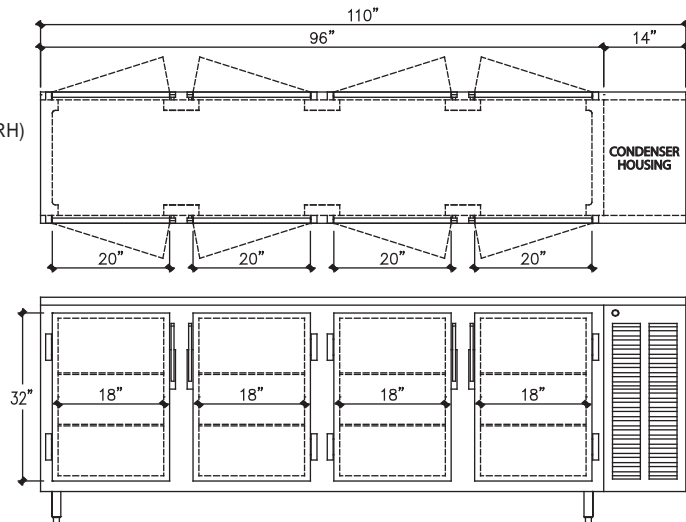
model shown:  
NBRPH-SC4-62-(LHRH)



model shown:  
NBRPH-SC6-86-(LHLHRH)



model shown:  
NBRPH-SC8-110-(LHRHLHRH)



## TECHNICAL DATA

model #	length	shipping weight (lbs.)	no. of doors
NBRPH-SC2-38	38"	225	2
NBRPH-SC4-62	62"	275	4
NBRPH-SC6-86	86"	325	6
NBRPH-SC8-110	110"	375	8
NBRPH-SC10-134**	134"	425	10

\*\*(NBRPH-SC10-134 not shown)

**SECTION** (ALL MODELS)

**NATIONAL BAR SYSTEMS**

Phone: (714) 848-1688

16571 Burke Lane Huntington Beach, CA 92647

Fax: (714) 848-2788

Website: [www.nbsmfg.com](http://www.nbsmfg.com)