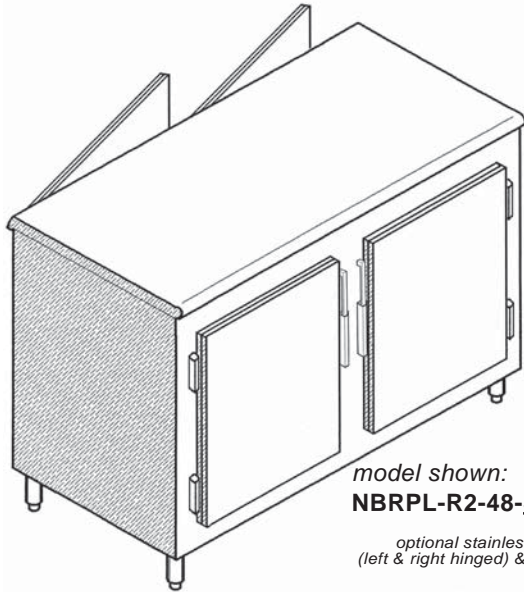


Project _____

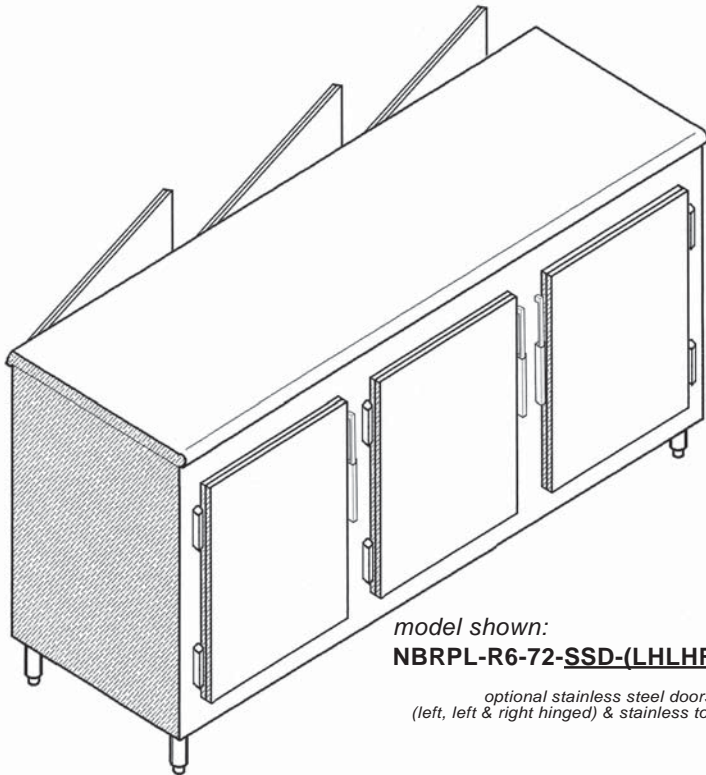
Dealer _____

Item # _____ Quantity _____



model shown:
NBRPL-R2-48-SSD-(LHRH)-ST

optional stainless steel doors,
(left & right hinged) & stainless top



model shown:
NBRPL-R6-72-SSD-(LHLHRH)-ST

optional stainless steel doors,
(left, left & right hinged) & stainless top

SPECIFICATIONS

ELECTRICAL:
115volts, 60 Hz, 1 phase AC.

REFRIGERATION:
Adjustable temperature control



NOMENCLATURE

NBRPL-R - - - () - (other options)

sizes:

2 - 24 = 2 doors 24"
4 - 48 = 4 doors 48"
6 - 72 = 6 doors 72"
8 - 96 = 8 doors 96"
10 - 120 = 10 doors 96"

door type:

BD - black vinyl clad doors
SSD - stainless doors
GD - glass doors
FLD - field laminate doors

hinge location:

(from left to right)
LH - left hinge
RH - right hinge

MODELS

model #	length
<input type="checkbox"/> NBRPL-R2-24.....	24"
<input type="checkbox"/> NBRPL-R4-48.....	48"
<input type="checkbox"/> NBRPL-R6-72.....	72"
<input type="checkbox"/> NBRPL-R8-96.....	96"
<input type="checkbox"/> NBRPL-R10-120.....	120"

STANDARD FEATURES

- 18 gauge stainless steel
- Heavy duty stainless gussets, 6" legs, adj. feet & support channels
- Wire racks
- Galvanized subtop and sides
- In place foam insulation
- Epoxy coated evaporator coil (refrigeration components field installed)
- Standard operating temperature of 38° F

OPTIONAL FEATURES

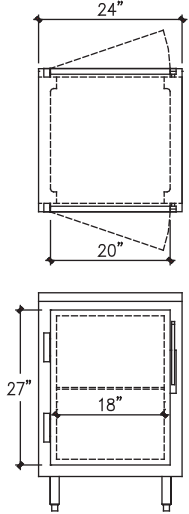
model #	description
<input type="checkbox"/> ST.....	stainless top
<input type="checkbox"/> SSS.....	s/s sides (left & right)
<input type="checkbox"/> KC.....	keg conversion
<input type="checkbox"/> DL.....	door locks
<input type="checkbox"/> LT.....	lights
<input type="checkbox"/> TXR22.....	R22 TEX valve
<input type="checkbox"/> TX404.....	404A TEX valve
<input type="checkbox"/> SV.....	solenoid valve
<input type="checkbox"/> PPW (incl. TEX & solenoid valve)...	pre-piped & wired
<input type="checkbox"/> FC.....	freezer conversion
<input type="checkbox"/> T28.....	28° F (chiller)
<input type="checkbox"/> T48.....	48° F (white wine)
<input type="checkbox"/> T58.....	58° F (red wine)
<input type="checkbox"/> CST.....	casters
<input type="checkbox"/> CU.....	4" high stainless curb
<input type="checkbox"/> DTC.....	digital temp. control
<input type="checkbox"/> M.....	modified size

*see options section for more details

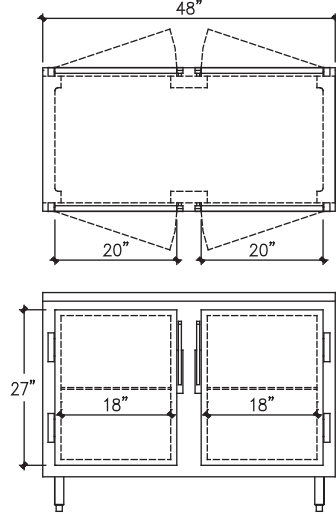


LOW REMOTE 32" PASS-THRU REFRIGERATORS

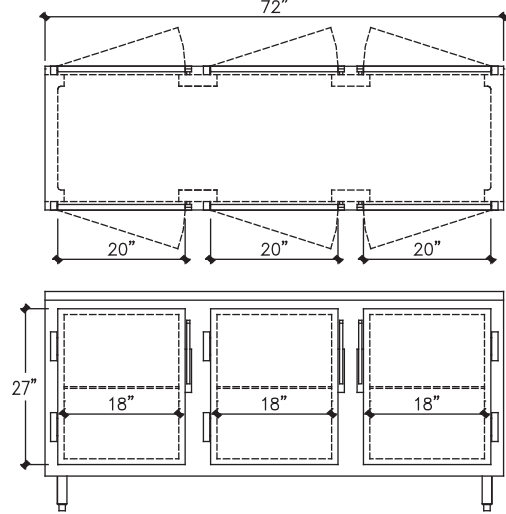
model shown:
NBRPL-R2-24-(LH)



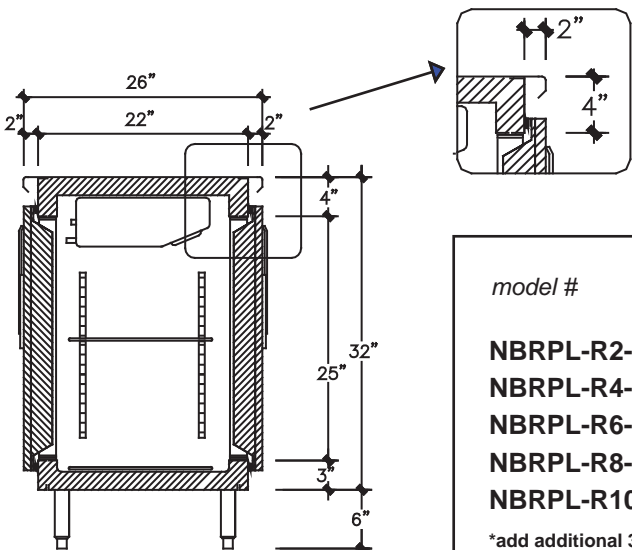
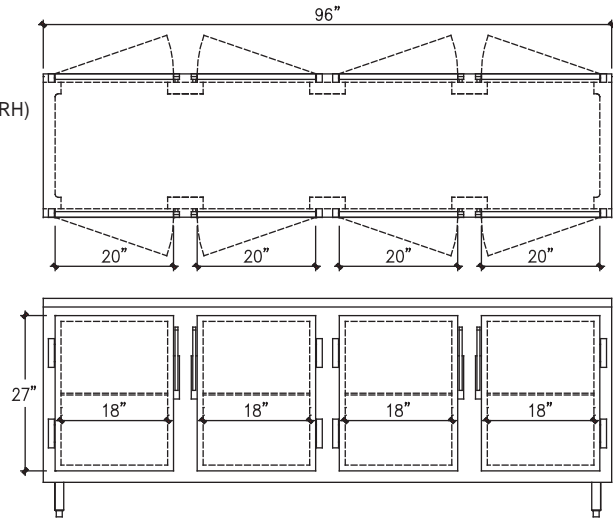
model shown:
NBRPL-R4-48-(LHRH)



model shown:
NBRPL-R6-72-(LHLHRH)



model shown:
NBRPL-R8-96-(LHRHLHRH)



TECHNICAL DATA

model #	length	shipping weight (lbs.)	no. of doors	*btu/hr.
NBRPL-R2-24	24"	150	2	1000
NBRPL-R4-48	48"	200	4	1300
NBRPL-R6-72	72"	250	6	1800
NBRPL-R8-96	96"	300	8	2200
NBRPL-R10-120**	120"	350	10	3200

*add additional 300 btu/hr for each glass doors

** (NBRPL-R10-120 not shown)

SECTION (ALL MODELS)