

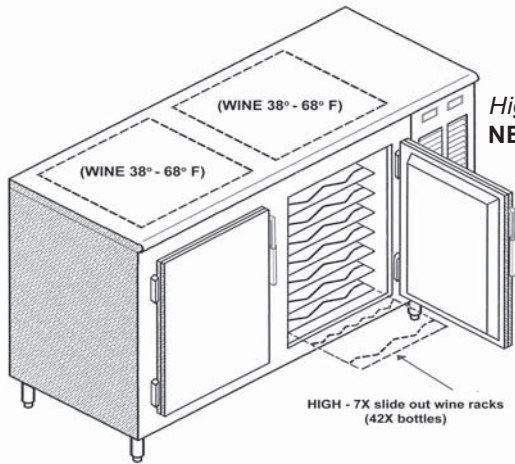


HIGH & LOW SELF-CONTAINED BACKBAR WINE REFRIGERATORS

Project _____

Dealer _____

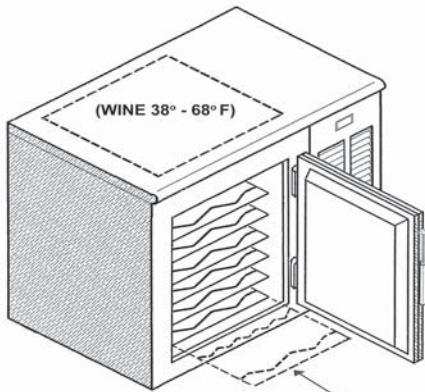
Item # _____ Quantity _____



High model shown:
NBRHW-SC2-62-SSD-RE-RL-ST

optional stainless steel doors,
right end condenser location,
removable legs & stainless top

HIGH - 7X slide out wine racks
(42X bottles)



Low model shown:
NBRLW-SC1-38-SSD-RE-ST

optional stainless steel door,
right end condenser location,
& stainless top

LOW - 6X, slide out wine racks
(36X bottles)



Low model shown:
NBRLW-SC2-62-GD-RE-DTC

optional glass doors, right
end condenser location &
digital temperature control

NOMENCLATURE

NBR W-SC - - - - () - (other options)

Body Height: H (High) - 37" L (Low) - 32"	sizes: 1 - 38 = 1 door 38" 2 - 62 = 2 door 62"	hinge location: (from left to right) LH - left hinge RH - right hinge
door type: BD - black vinyl clad doors SSD - stainless doors GD - glass doors FLD - field laminate doors		condenser location: (from left to right) LE - left end RE - right end

MODELS

model #	length
<input type="checkbox"/> NBRLW-SC1-38.....	38"
<input type="checkbox"/> NBRLW-SC2-62.....	62"
<input type="checkbox"/> NBRHW-SC1-38.....	38"
<input type="checkbox"/> NBRHW-SC2-62.....	62"

STANDARD FEATURES

- 18 gauge 304 stainless steel exterior face & interior
- 304 Stainless steel pull out wine racks
- 6x wine bottles on each tier (3x forward & 3x rear)
- 7x tiers on the high model, 6x tiers on the low model
- Galvanized subtop & sides
- Foam in place insulation
- Epoxy coated evaporator coil (refrigeration components field installed)
- Compressor / condensing unit
- Digital temperature controls
- Multi temperature sections
- Condensate evaporator pan
- Louvered access panel
- Standard operating temperature of 38° - 68° F
- Lights
- Door Locks

SPECIFICATION

ELECTRICAL:

115volts, 60 Hz, 1 phase AC.
AMP: 15A MAX (on all Self Contained units)

REFRIGERATION:

R22, Adjustable temperature control



OPTIONAL FEATURES

model #	description
<input type="checkbox"/> ST	stainless top
<input type="checkbox"/> SSS	s/s sides (left & right)
<input type="checkbox"/> CST	casters
<input type="checkbox"/> CU	4" high stainless curb
<input type="checkbox"/> RL	6" removable legs
<input type="checkbox"/> M	modified size

*see options section for more details

NATIONAL BAR SYSTEMS

Phone: (714) 848-1688

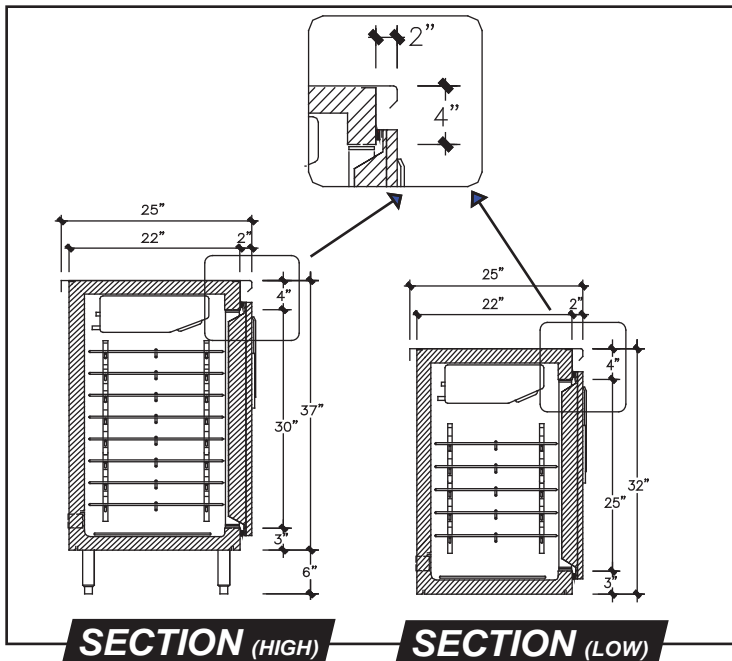
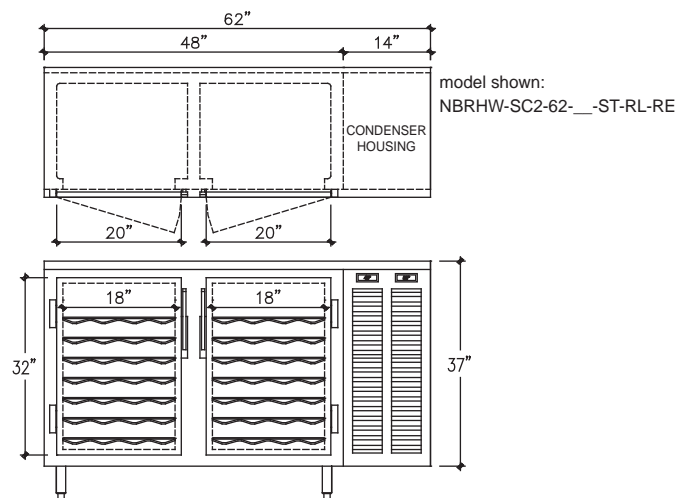
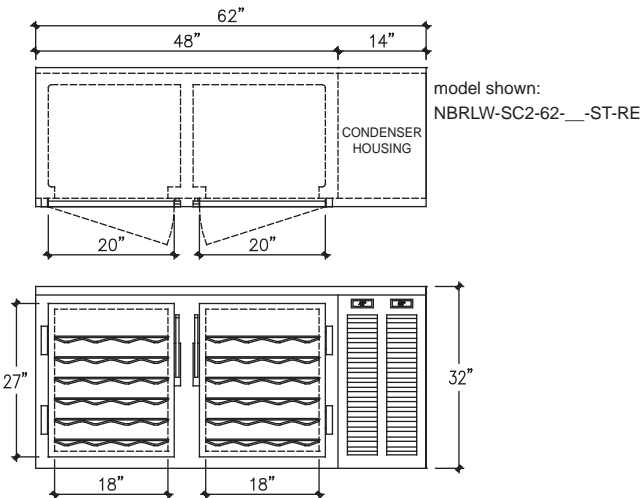
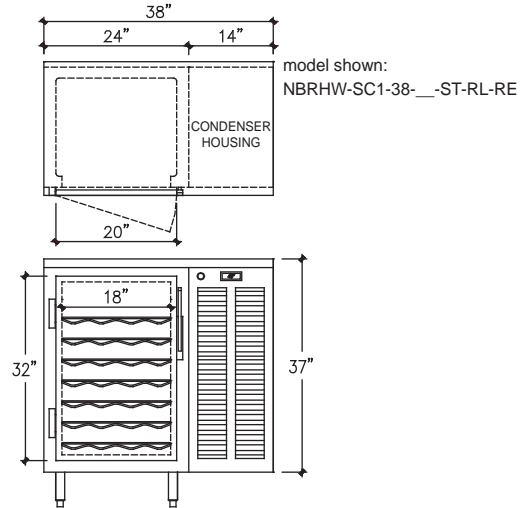
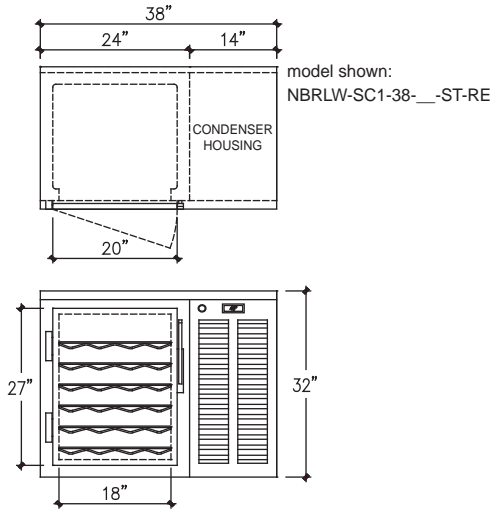
16571 Burke Lane Huntington Beach, CA 92647

Fax: (714) 848-2788

Website: www.nbsmfg.com



HIGH & LOW SELF-CONTAINED BACKBAR WINE REFRIGERATORS



TECHNICAL DATA

model #	length	shipping weight(lbs.)	no. of doors
NBRLW-SC1-38	38"	225	1
NBRLW-SC2-62	62"	275	2
NBRHW-SC1-38	38"	250	1
NBRHW-SC2-62	62"	300	2