

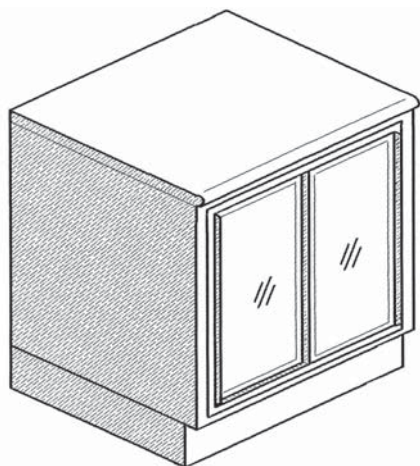


# HIGH & LOW REMOTE SLIDING GLASS DOOR BACKBAR REFRIGERATORS

Project \_\_\_\_\_

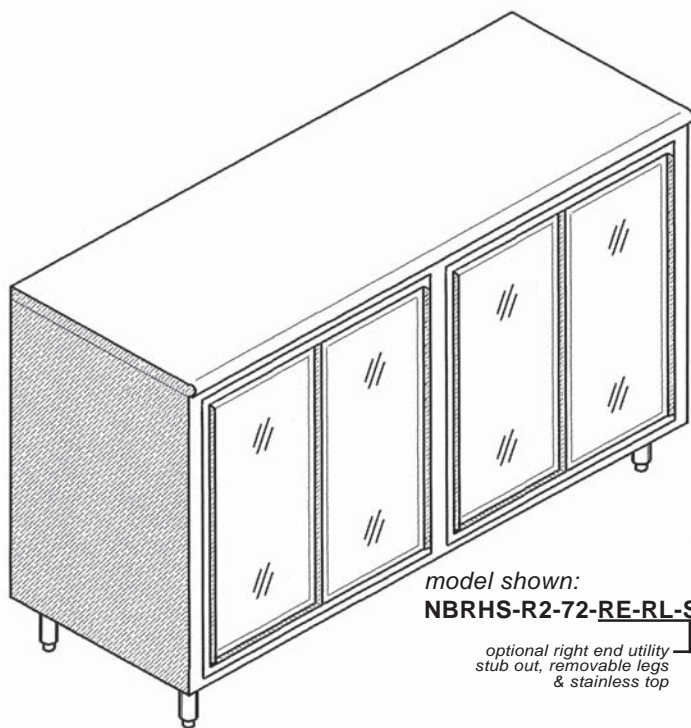
Dealer \_\_\_\_\_

Item # \_\_\_\_\_ Quantity \_\_\_\_\_



model shown:  
**NBRLS-R1-24-RE-CU-ST**

optional right end utility stub out, stainless steel curb & stainless top



model shown:  
**NBRHS-R2-72-RE-RL-ST**

optional right end utility stub out, removable legs & stainless top

## SPECIFICATIONS

### ELECTRICAL:

115volts, 60 Hz, 1 phase AC.  
Amp: 5A Max (on all remote units)



## NOMENCLATURE

**NBR S-R - - - (other options)**

height:  
L - 32" high apron  
H - 37" high apron

sizes:  
1 - 24 = 1 sliding glass door set - 24"  
1 - 48 = 1 sliding glass door set - 48"  
2 - 72 = 2 sliding glass door sets - 72"  
2 - 96 = 2 sliding glass door sets - 96"

utility line stub out:  
(from left to right)  
LE - left end  
RE - right end

## MODELS

model #	length
<input type="checkbox"/> NBRHS-R1-24	24"
<input type="checkbox"/> NBRHS-R1-48	48"
<input type="checkbox"/> NBRHS-R2-72	72"
<input type="checkbox"/> NBRHS-R2-96	96"
<input type="checkbox"/> NBRLS-R1-24	24"
<input type="checkbox"/> NBRLS-R1-48	48"
<input type="checkbox"/> NBRLS-R2-72	72"
<input type="checkbox"/> NBRLS-R2-96	96"

## STANDARD FEATURES

- 18 gauge stainless steel
- Wire racks
- Galvanized subtop and sides
- In place foam insulation
- Epoxy coated evaporator coil (refrigeration components field installed)
- Standard operating temperature of 38° F

## OPTIONAL FEATURES

model #	description
<input type="checkbox"/> ST	stainless top
<input type="checkbox"/> SSS	s/s sides (left & right)
<input type="checkbox"/> KC	keg conversion
<input type="checkbox"/> DPD	built in drain pan (adds additional 1" to ref. height)
<input type="checkbox"/> DL	door locks
<input type="checkbox"/> LT	lights
<input type="checkbox"/> TXR22	R22 TEX valve
<input type="checkbox"/> TX404	404A TEX valve
<input type="checkbox"/> SV	solenoid valve
<input type="checkbox"/> PPW (incl. TEX & solenoid valve)	pre-piped & wired
<input type="checkbox"/> PPT (incl. only TEX valve)	pre-piped & wired TX
<input type="checkbox"/> FC	freezer conversion
<input type="checkbox"/> T28	28° F (chiller)
<input type="checkbox"/> T48	48° F (white wine)
<input type="checkbox"/> T58	58° F (red wine)
<input type="checkbox"/> RL	6" high removable legs
<input type="checkbox"/> CST35	3.5" high casters
<input type="checkbox"/> CU	4" high stainless curb
<input type="checkbox"/> DTC	digital temp. control
<input type="checkbox"/> M	modified size

\*see options section for more details

**NATIONAL BAR SYSTEMS**

16571 Burke Lane Huntington Beach, CA 92647

Phone: (714) 848-1688

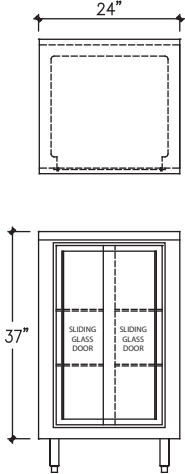
Fax: (714) 848-2788

Website: [www.nbsmfg.com](http://www.nbsmfg.com)

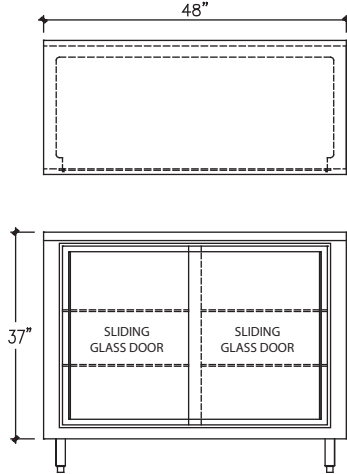


# HIGH & LOW REMOTE SLIDING GLASS DOOR BACKBAR REFRIGERATORS

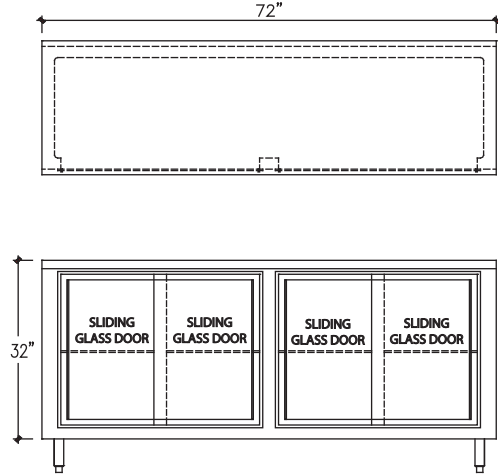
model shown:  
NBRHS-R1-24-ST



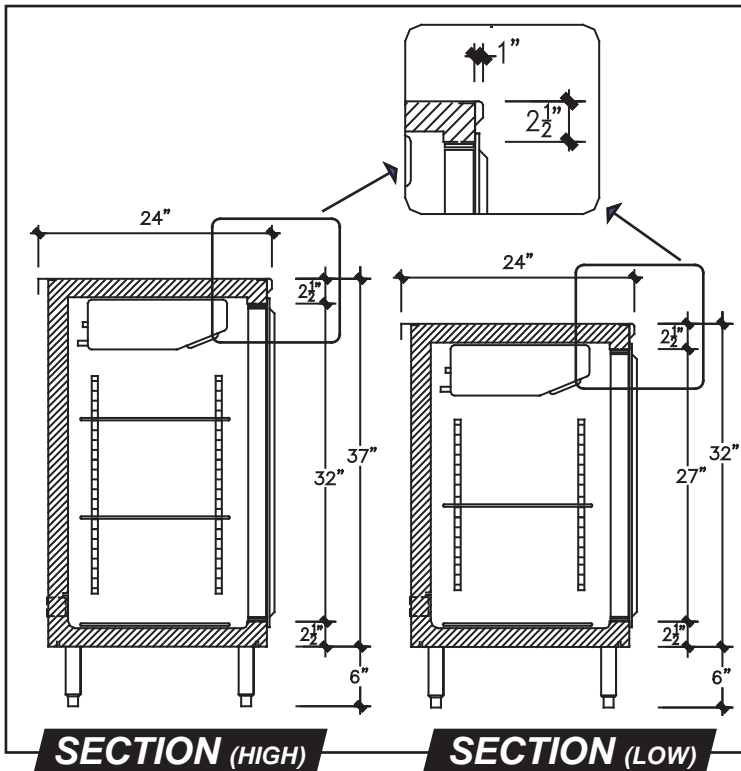
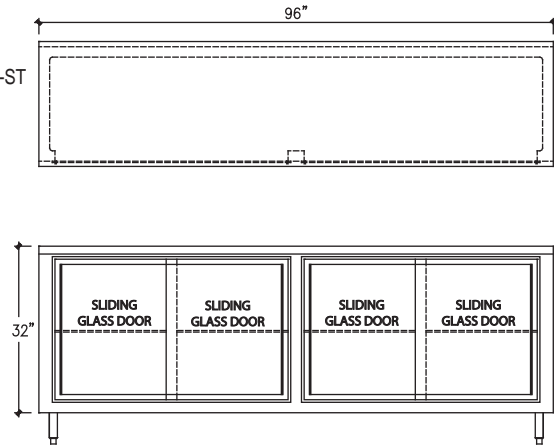
model shown:  
NBRHS-R1-48-ST



model shown:  
NBRLS-R2-72-ST



model shown:  
NBRLS-R2-96-ST



<b>TECHNICAL DATA</b>				
model #	length	shipping weight(lbs.)	no. of sliding doors	*btu/hr.
<b>High</b>				
<b>NBRHS-R1-24</b>	24"	200	2	1000
<b>NBRHS-R1-48</b>	48"	250	2	1300
<b>NBRHS-R2-72</b>	72"	275	4	1800
<b>NBRHS-R2-96</b>	96"	300	4	2200
<b>Low</b>				
<b>NBRLS-R1-24</b>	24"	175	2	800
<b>NBRLS-R1-48</b>	48"	225	2	1200
<b>NBRLS-R2-72</b>	72"	255	4	1800
<b>NBRLS-R2-96</b>	96"	275	4	2000

\*add additional 900 btu/hr for each 4' sliding door set