

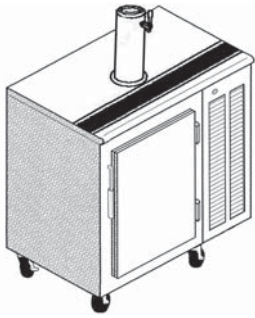


# SELF-CONTAINED DIRECT DRAW BACKBAR REFRIGERATORS

Project \_\_\_\_\_

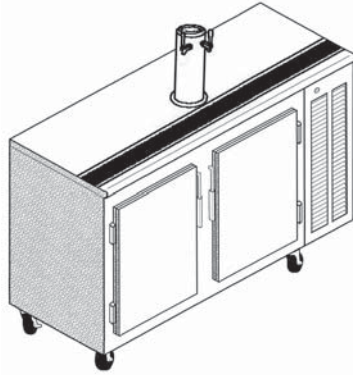
Dealer \_\_\_\_\_

Item # \_\_\_\_\_ Quantity \_\_\_\_\_



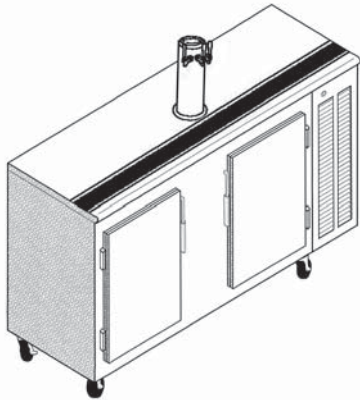
model shown:  
**NBRHD-SC1-38-SSD-RE**  
(1X Beer Tap)

optional stainless steel door, & right end condenser location



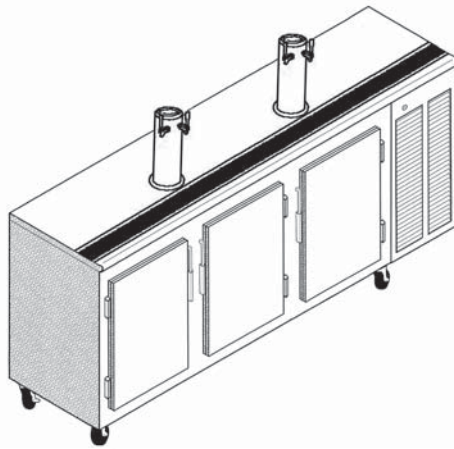
model shown:  
**NBRHD-SC2-62-SSD-RE**  
(2X Beer Taps)

optional stainless steel doors, & right end condenser location



model shown:  
**NBRHD-SC2-72-SSD-RE**  
(3X Beer Taps)

optional stainless steel doors, & right end condenser location



model shown:  
**NBRHD-SC3-86-SSD-RE**  
(4X Beer Taps)

optional stainless steel doors, & right end condenser location

## SPECIFICATION

### ELECTRICAL:

115volts, 60 Hz, 1 phase AC.  
AMP: 15A MAX (on all Self Contained units)

### REFRIGERATION:

R22, Adjustable temperature control



## NOMENCLATURE

**NBRHD-SC** - - - - ( ) - (other options)

sizes:

1 - 38 = 1 door 38"  
2 - 62 = 2 door 62"  
2 - 72 = 2 door 72"  
3 - 86 = 3 door 86"

hinge location:  
(from left to right)  
LH - left hinge  
RH - right hinge

door type:

BD - black vinyl clad doors  
SSD - stainless doors  
GD - glass doors  
FLD - field laminate doors

condenser location:  
(from left to right)  
LE - left end  
RE - right end

## MODELS

model #	length
<input type="checkbox"/> <b>NBRHD-SC1-38</b> .....	38"
<input type="checkbox"/> <b>NBRHD-SC2-62</b> .....	62"
<input type="checkbox"/> <b>NBRHD-SC2-72</b> .....	72"
<input type="checkbox"/> <b>NBRHD-SC3-86</b> .....	86"

## STANDARD FEATURES

- 18 gauge 304 stainless (exterior)
- Heavy duty 3.5" casters
- Stainless steel top
- Stainless steel & glass doors will have s/s sides
- Black & field laminate doors will have black sides
- 10' long vinyl drain line in the rear
- Foam in place insulation
- Epoxy coated evaporator coil
- Compressor / condensing unit
- Temperature Control
- Condensate heated evaporator pan
- Louvered access panel
- Standard operating temperature of 38° F
- Reinforced stainless steel floor
- Galvanized inside wall & ceiling

## OPTIONAL FEATURES

model #	description
<input type="checkbox"/> <b>ST</b> .....	stainless top
<input type="checkbox"/> <b>SSS</b> .....	s/s sides (left & right)
<input type="checkbox"/> <b>SSRW</b> .....	s/s inside wall upgrade
<input type="checkbox"/> <b>DL</b> .....	door locks
<input type="checkbox"/> <b>LT</b> .....	lights
<input type="checkbox"/> <b>FC</b> (w/ 404A TEX valve).....	freezer conversion
<input type="checkbox"/> <b>T28</b> .....	28° F (chiller)
<input type="checkbox"/> <b>T48</b> .....	48° F (white wine)
<input type="checkbox"/> <b>T58</b> .....	58° F (red wine)
<input type="checkbox"/> <b>CU</b> .....	4" high stainless curb
<input type="checkbox"/> <b>DTC</b> .....	digital temp. control
<input type="checkbox"/> <b>M</b> .....	modified size

\*see options section for more details

**NATIONAL BAR SYSTEMS**

Phone: (714) 848-1688

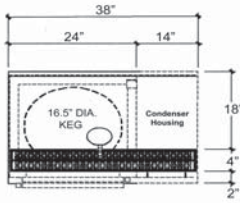
16571 Burke Lane Huntington Beach, CA 92647

Fax: (714) 848-2788

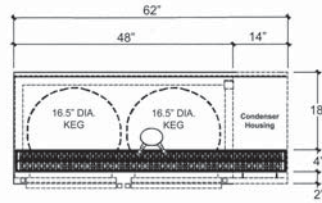
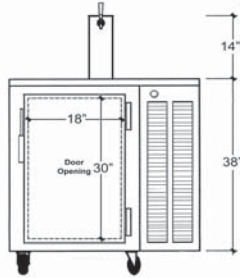
Website: www.nbsmfg.com



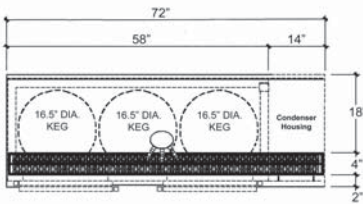
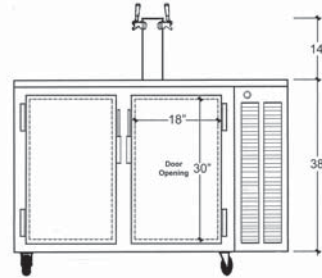
# SELF-CONTAINED DIRECT DRAW BACKBAR REFRIGERATORS



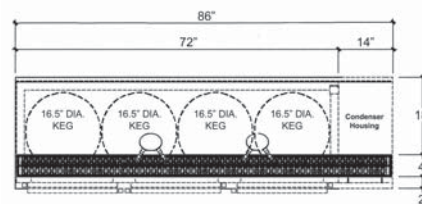
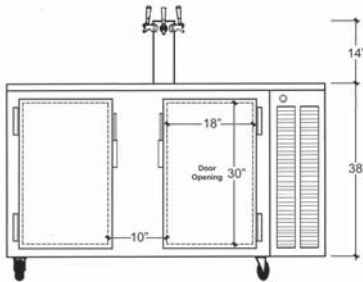
model shown:  
NBRHD-SC1-38-SSD-RE  
(No. of Kegs: 1)



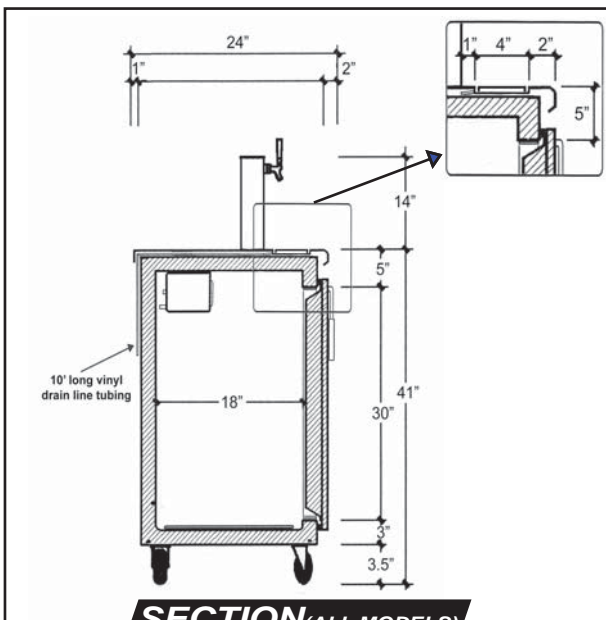
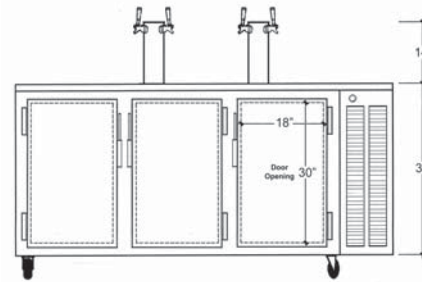
model shown:  
NBRHD-SC2-62-SSD-RE  
(No. of Kegs: 2)



model shown:  
NBRHD-SC2-72-SSD-RE  
(No. of Kegs: 3)



model shown:  
NBRHD-SC3-86-SSD-RE  
(No. of Kegs: 4)



**SECTION**(ALL MODELS)

## TECHNICAL DATA

model #	length	shipping weight(lbs.)	no. of doors	no. of kegs
NBRHD-SC1-38	38"	225	1	1
NBRHD-SC2-62	62"	275	2	2
NBRHD-SC2-72	72"	250	2	3
NBRHD-SC3-86	86"	300	3	4