

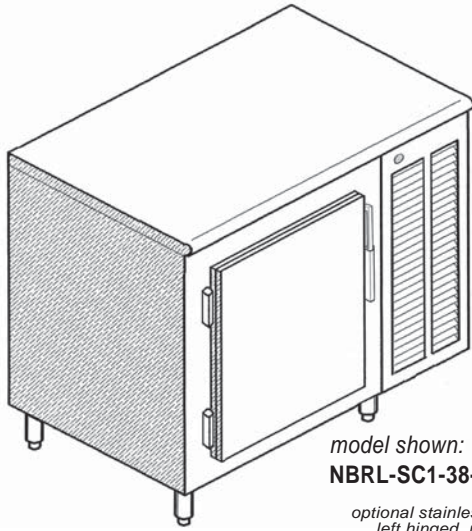


LOW SELF-CONTAINED 32" BACKBAR REFRIGERATORS

Project _____

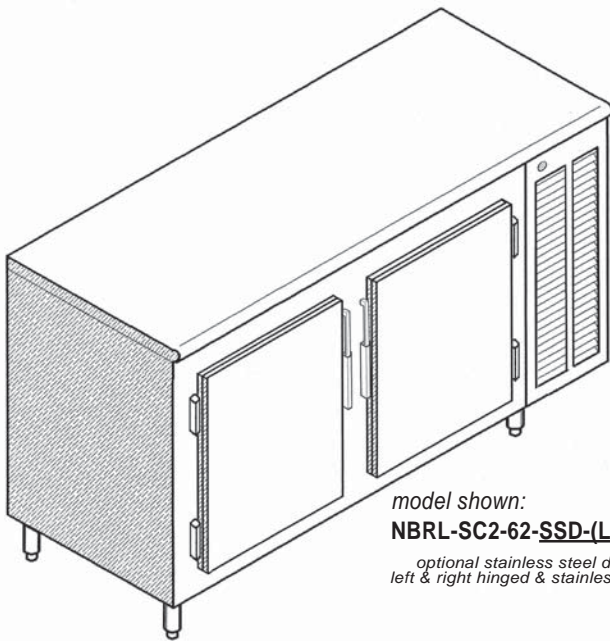
Dealer _____

Item # _____ Quantity _____



model shown:
NBRL-SC1-38-SSD-(LH)-T58-ST

optional stainless steel doors,
left hinged, red wine temp.
conversion & stainless top



model shown:
NBRL-SC2-62-SSD-(LHRH)-ST

optional stainless steel doors,
left & right hinged & stainless top

SPECIFICATION

ELECTRICAL:

115volts, 60 Hz, 1 phase AC.
AMP: 15A MAX (on all Self Contained units)

REFRIGERATION:

R22, Adjustable temperature control



NOMENCLATURE

NBRL-SC - - - - () - (other options)

sizes:
1 - 38 = 1 door 38"
2 - 62 = 2 door 62"
2 - 72 = 2 door 72"
3 - 86 = 3 door 86"
4 - 110 = 4 door 110"
5 - 134 = 5 door 134"

hinge location:
(from left to right)
LH - left hinge
RH - right hinge

condenser location:
(from left to right)
LE - left end
RE - right end

door type:
BD - black vinyl clad doors
SSD - stainless doors
GD - glass doors
FLD - field laminate doors

MODELS

model #	length
<input type="checkbox"/> NBRL-SC1-38	38"
<input type="checkbox"/> NBRL-SC2-62	62"
<input type="checkbox"/> NBRL-SC2-72	72"
<input type="checkbox"/> NBRL-SC3-86	86"
<input type="checkbox"/> NBRL-SC4-110	110"
<input type="checkbox"/> NBRL-SC5-134	134"

STANDARD FEATURES

- 18 gauge 304 stainless
- Wire racks
- Galvanized subtop & sides
- Foam in place insulation
- Epoxy coated evaporator coil
(refrigeration components field installed)
- Compressor / condensing unit
- Temperature Control
- Condensate evaporator pan
- Louvered access panel
- Standard operating temperature of 38° F

OPTIONAL FEATURES

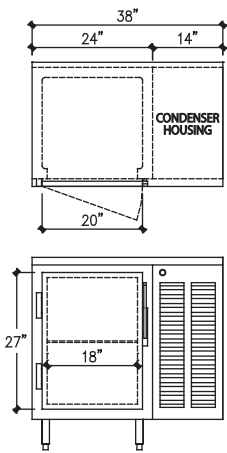
model #	description
<input type="checkbox"/> ST	stainless top
<input type="checkbox"/> SSS	s/s sides (left & right)
<input type="checkbox"/> KC	keg conversion
<input type="checkbox"/> DPD	built in drain pan (adds additional 1" to ref. height)
<input type="checkbox"/> DL	door locks
<input type="checkbox"/> LT	lights
<input type="checkbox"/> FC (w/ 404A TEX valve).....	freezer conversion
<input type="checkbox"/> T28	28° F (chiller)
<input type="checkbox"/> T48	48° F (white wine)
<input type="checkbox"/> T58	58° F (red wine)
<input type="checkbox"/> RL	6" high removable legs
<input type="checkbox"/> CST35	3.5" high casters
<input type="checkbox"/> CU	4" high stainless curb
<input type="checkbox"/> DTC	digital temp. control
<input type="checkbox"/> M	modified size

*see options section for more details

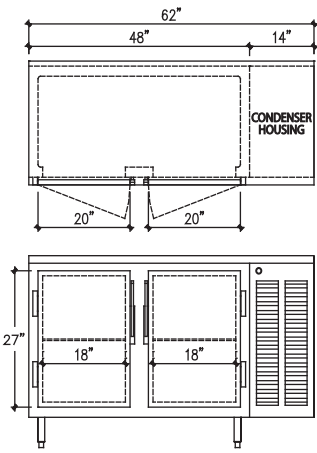


LOW SELF-CONTAINED 32" BACKBAR REFRIGERATORS

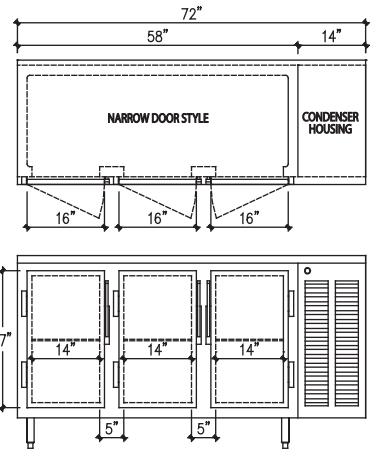
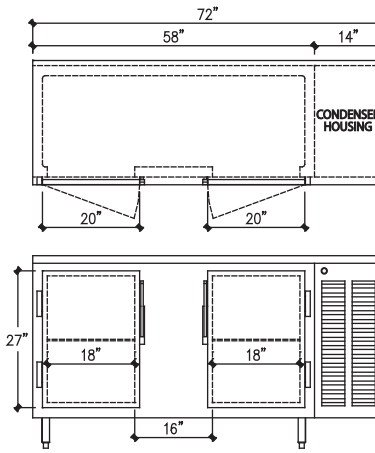
model shown:
NBRL-SC1-38-__-RE-ST



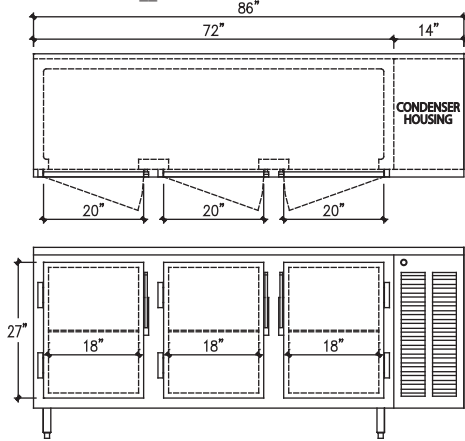
model shown:
NBRL-SC2-62-__-RE-ST



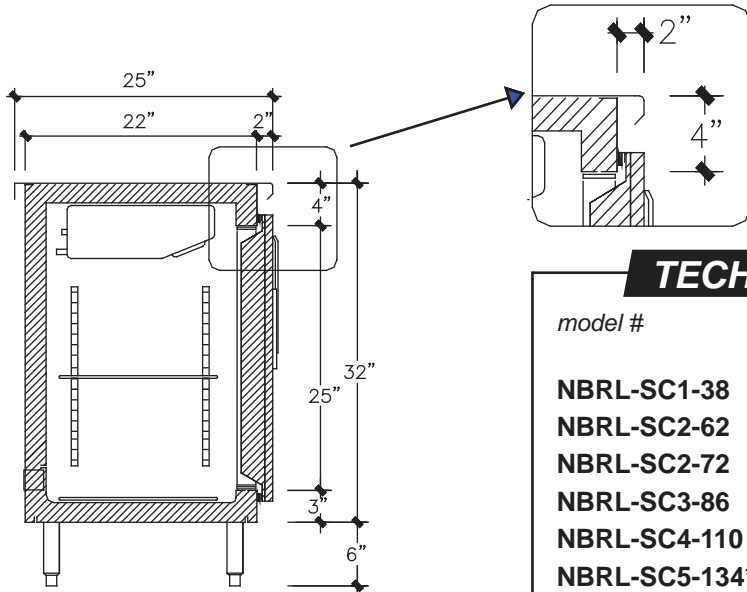
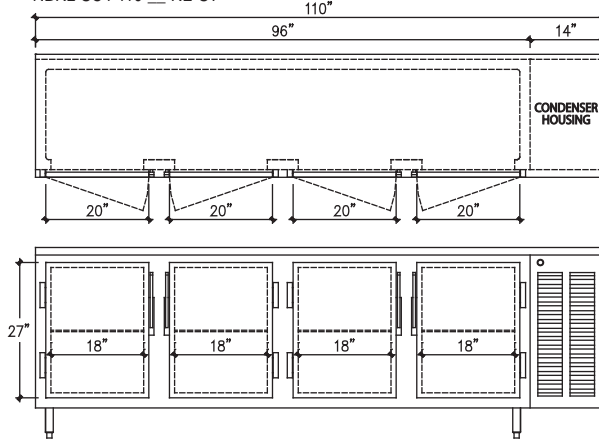
model shown:
NBRL-SC2-72-__-RE-ST



model shown:
NBRL-SC3-86-__-RE-ST



model shown:
NBRL-SC4-110-__-RE-ST



TECHNICAL DATA

model #	length	shipping weight(lbs.)	no. of doors
NBRL-SC1-38	38"	215	1
NBRL-SC2-62	62"	265	2
NBRL-SC2-72	72"	290	2
NBRL-SC3-86	86"	300	3
NBRL-SC4-110	110"	365	4
NBRL-SC5-134**	134"	415	5

**NBRL-SC5-134 not shown

SECTION (ALL MODELS)

NATIONAL BAR SYSTEMS

Phone: (714) 848-1688

16571 Burke Lane Huntington Beach, CA 92647

Fax: (714) 848-2788

Website: www.nbsmf.com