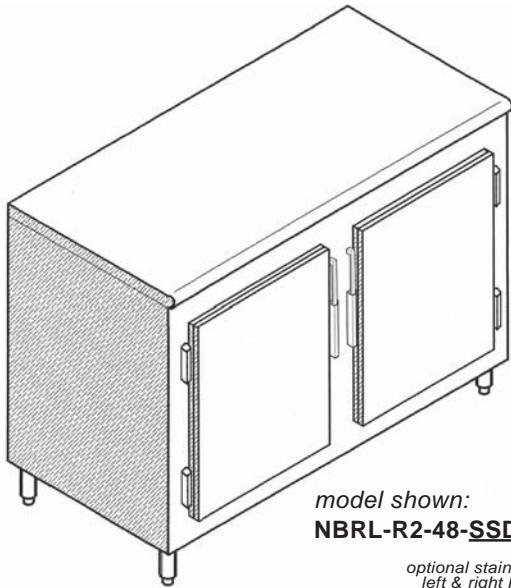


Project _____

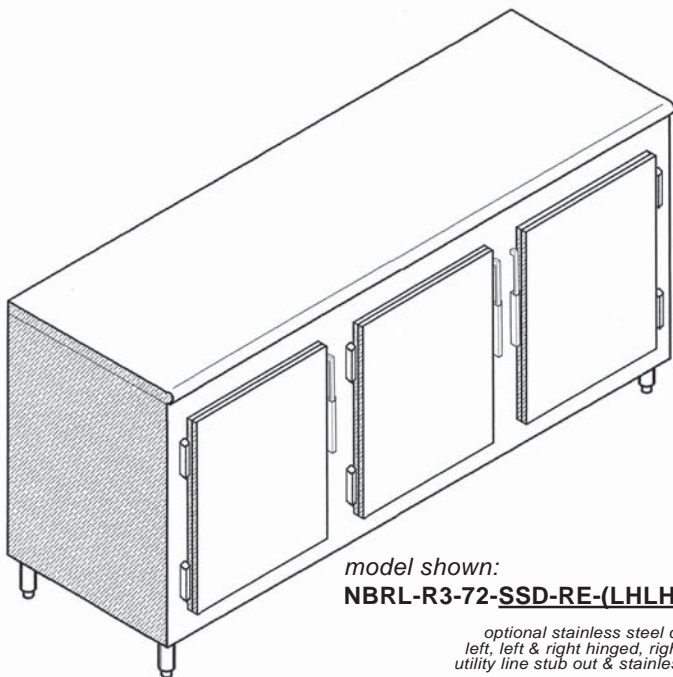
Dealer _____

Item # _____ Quantity _____



model shown:
NBRL-R2-48-SSD-RE-(LHRH)-ST

optional stainless steel doors,
left & right hinged, right end
utility line stub out & stainless top



model shown:
NBRL-R3-72-SSD-RE-(LHLHRH)-ST

optional stainless steel doors,
left, left & right hinged, right end
utility line stub out & stainless top

SPECIFICATIONS

ELECTRICAL:

115volts, 60 Hz, 1 phase AC.
Amp: 5A Max (on all Remote units)



NOMENCLATURE

NBRL-R - - - - () - (other options)

sizes:
1 - 24 = 1 door 24"
2 - 48 = 2 door 48"
3 - 72 = 3 door 72"
4 - 96 = 4 door 96"
5 - 120 = 5 door 120"

hinge location:
(from left to right)
LH - left hinge
RH - right hinge

door type:
BD - black vinyl clad doors
SSD - stainless doors
GD - glass doors
FLD - field laminate doors

utility line stub out:
(from left to right)
LE - left end
RE - right end

SPECIFICATIONS

model #	length
<input type="checkbox"/> NBRL-R1-24.....	24"
<input type="checkbox"/> NBRL-R2-48.....	48"
<input type="checkbox"/> NBRL-R3-72.....	72"
<input type="checkbox"/> NBRL-R4-96.....	96"
<input type="checkbox"/> NBRL-R5-120.....	120"

STANDARD FEATURES

- 18 gauge stainless steel
- Wire racks
- Galvanized subtop and sides
- In place foam insulation
- Epoxy coated evaporator coil
(refrigeration components field installed)
- Standard operating temperature of 38° F

OPTIONAL FEATURES

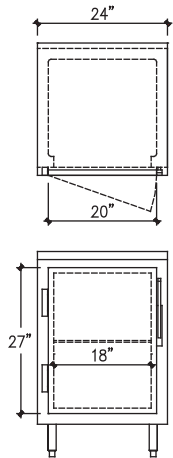
model #	description
<input type="checkbox"/> ST.....	stainless top
<input type="checkbox"/> SSS.....	s/s sides (left & right)
<input type="checkbox"/> KC.....	keg conversion
<input type="checkbox"/> DPD.....	built in drain pan (adds additional 1" to ref. height)
<input type="checkbox"/> DL.....	door locks
<input type="checkbox"/> LT.....	lights
<input type="checkbox"/> TXR22.....	R22 TEX valve
<input type="checkbox"/> TX404.....	404A TEX valve
<input type="checkbox"/> SV.....	solenoid valve
<input type="checkbox"/> PPW (incl. TEX & solenoid valve).....	pre-piped & wired
<input type="checkbox"/> PPT (incl. only TEX valve).....	pre-piped & wired TX
<input type="checkbox"/> FC.....	freezer conversion
<input type="checkbox"/> T28.....	28° F (chiller)
<input type="checkbox"/> T48.....	48° F (white wine)
<input type="checkbox"/> T58.....	58° F (red wine)
<input type="checkbox"/> RL.....	6" high removable legs
<input type="checkbox"/> CST35.....	3.5" high casters
<input type="checkbox"/> CU.....	4" high stainless curb
<input type="checkbox"/> DTC.....	digital temp. control
<input type="checkbox"/> M.....	modified size

*see options section for more details

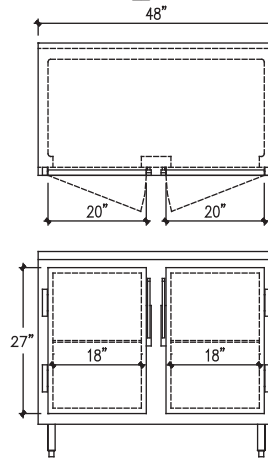


LOW REMOTE 32" BACKBAR REFRIGERATORS

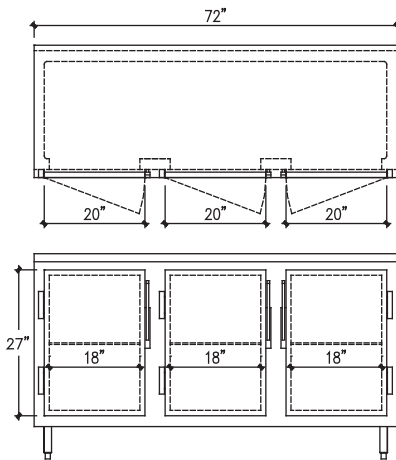
model shown:
NBRL-R1-24-__-RE-ST



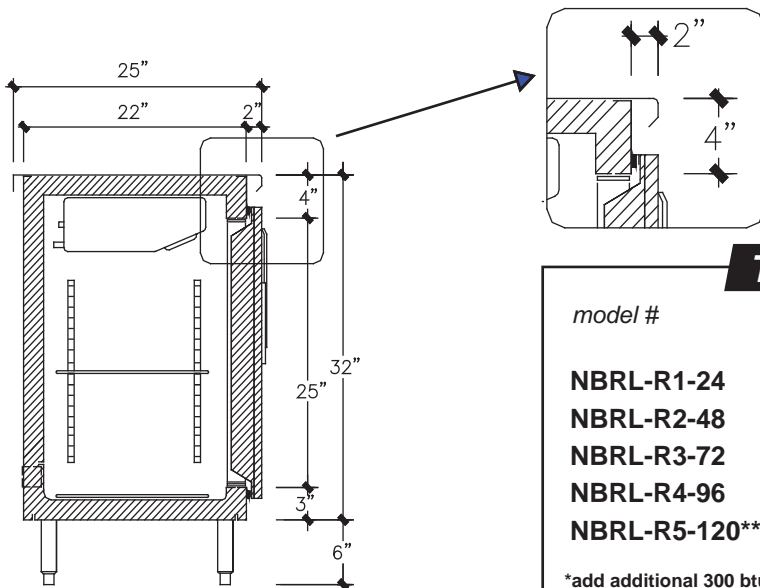
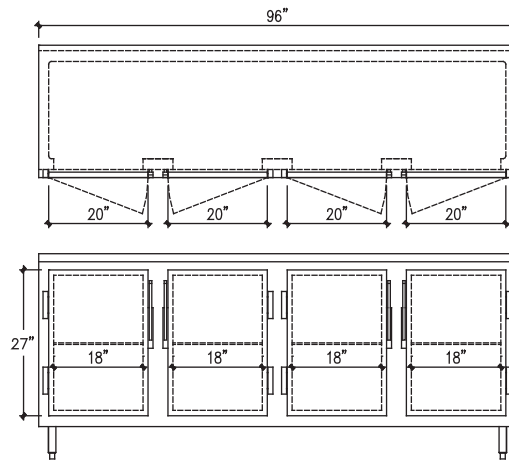
model shown:
NBRL-R2-48-__-RE-ST



model shown:
NBRL-R3-72-__-RE-ST



model shown:
NBRH-R4-96-__-RE-ST



TECHNICAL DATA

model #	length	shipping weight (lbs.)	no. of doors	*btu/hr.
NBRL-R1-24	24"	150	1	1000
NBRL-R2-48	48"	200	2	1200
NBRL-R3-72	72"	250	3	1800
NBRL-R4-96	96"	300	4	2000
NBRL-R5-120**	120"	350	5	3200

*add additional 300 btu/hr for each glass door

** (NBRL-R5-120 not shown)

SECTION (ALL MODELS)

NATIONAL BAR SYSTEMS

Phone: (714) 848-1688

16571 Burke Lane Huntington Beach, CA 92647

Fax: (714) 848-2788

Website: www.nbsmfg.com