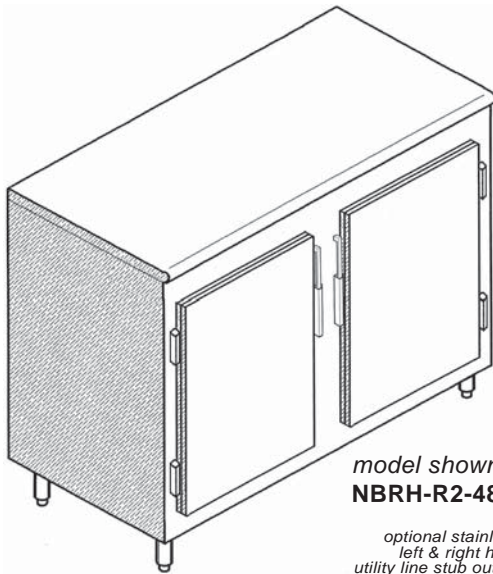


Project _____

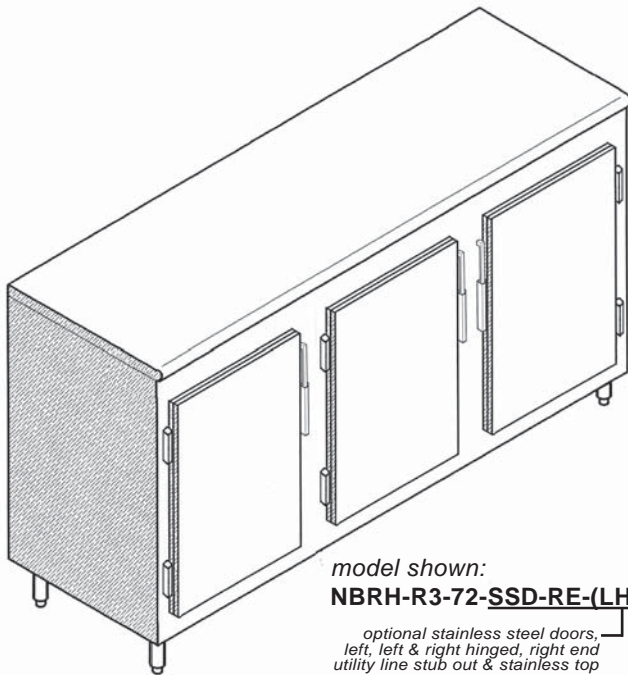
Dealer _____

Item # _____ Quantity _____



model shown:
NBRH-R2-48-SSD-RE-(LHRH)-ST

optional stainless steel doors,
left & right hinged, right end
utility line stub out & stainless top



model shown:
NBRH-R3-72-SSD-RE-(LHLHRH)-ST

optional stainless steel doors,
left, left & right hinged, right end
utility line stub out & stainless top

SPECIFICATIONS

ELECTRICAL:

115volts, 60 Hz, 1 phase AC.

Amp: 5A Max (on all Remote units)



NOMENCLATURE

NBRH-R - - - - () - (other options)

sizes:

- 1 - 24 = 1 door 24"
- 2 - 48 = 2 door 48"
- 3 - 72 = 3 door 72"
- 4 - 96 = 4 door 96"
- 5 - 120 = 5 door 120"

hinge location:

- (from left to right)
- LH - left hinge
- RH - right hinge

door type:

- BD - black vinyl clad doors
- SSD - stainless doors
- GD - glass doors
- FLD - field laminate doors

utility line stub out:

- (from left to right)
- LE - left end
- RE - right end

MODELS

model #	length
<input type="checkbox"/> NBRH-R1-24.....	24"
<input type="checkbox"/> NBRH-R2-48.....	48"
<input type="checkbox"/> NBRH-R3-72.....	72"
<input type="checkbox"/> NBRH-R4-96.....	96"
<input type="checkbox"/> NBRH-R5-120.....	120"

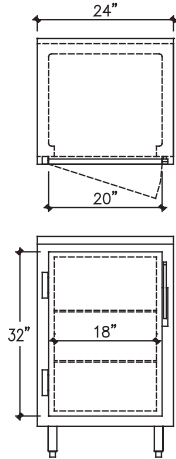
STANDARD FEATURES

- 18 gauge stainless steel
- Wire racks
- Galvanized subtop and sides
- In place foam insulation
- Epoxy coated evaporator coil
(refrigeration components field installed)
- Standard operating temperature of 38° F

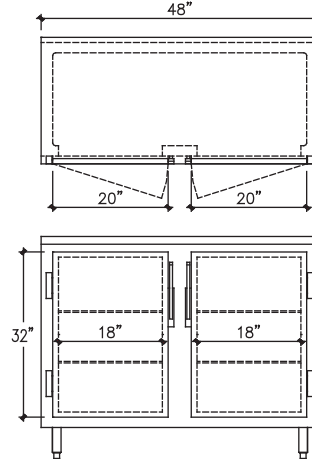
OPTIONAL FEATURES

model #	description
<input type="checkbox"/> ST	stainless top
<input type="checkbox"/> SSS	s/s sides (left & right)
<input type="checkbox"/> KC	keg conversion
<input type="checkbox"/> DPD	built in drain pan (adds additional 1" to ref. height)
<input type="checkbox"/> DL	door locks
<input type="checkbox"/> LT	lights
<input type="checkbox"/> TXR22	R22 TEX valve
<input type="checkbox"/> TX404	404A TEX valve
<input type="checkbox"/> SV	solenoid valve
<input type="checkbox"/> PPW (incl. TEX & solenoid valve)....	pre-piped & wired
<input type="checkbox"/> PPT (incl. only TEX valve).....	pre-piped & wired TX
<input type="checkbox"/> FC	freezer conversion
<input type="checkbox"/> T28	28° F (chiller)
<input type="checkbox"/> T48	48° F (white wine)
<input type="checkbox"/> T58	58° F (red wine)
<input type="checkbox"/> RL	6" high removable legs
<input type="checkbox"/> CST35	3.5" high casters
<input type="checkbox"/> CU	4" high stainless curb
<input type="checkbox"/> DTC	digital temp. control
<input type="checkbox"/> M	modified size *see options section for more details

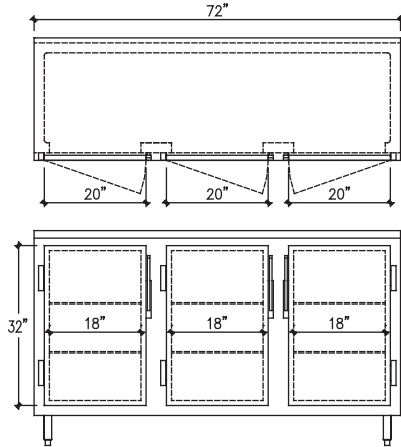
model shown:
NBRH-R1-24-__RE-ST



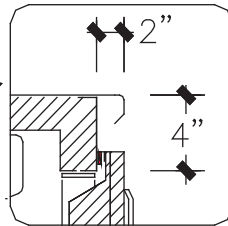
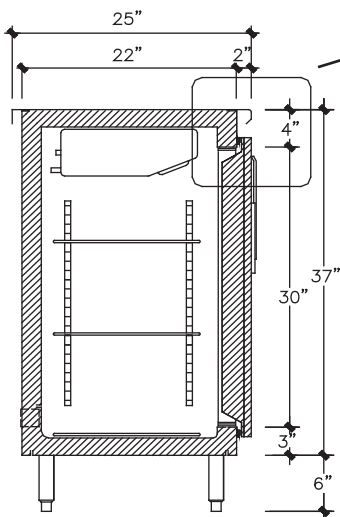
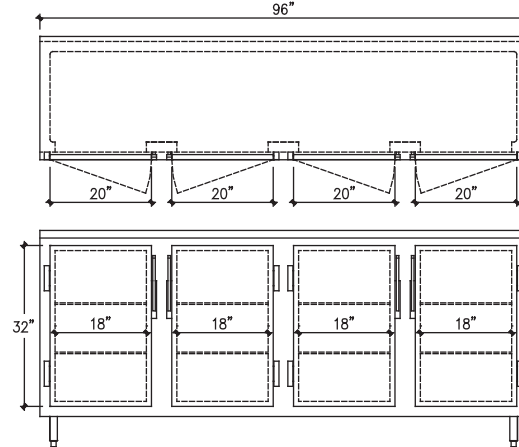
model shown:
NBRH-R2-48-__RE-ST



model shown:
NBRH-R3-72-__RE-ST



model shown:
NBRH-R4-96-__RE-ST



TECHNICAL DATA

model #	length	shipping weight (lbs.)	no. of doors	*btu/hr.
NBRH-R1-24	24"	175	1	1000
NBRH-R2-48	48"	225	2	1200
NBRH-R3-72	72"	275	3	1800
NBRH-R4-96	96"	325	4	2000
NBRH-R5-120**	120"	375	5	3200

*add additional 300 btu/hr for each glass door

** (NBRH-R5-120 not shown)

SECTION