



SELF-CONTAINED FRONT BREATHING REFRIGERATORS

Project _____

Dealer _____

Item # _____ Quantity _____



model shown:
NBRH-SC1-24-GD-ST

optional glass doors
& stainless top



model shown;
NBRH-SC2-48-SSD

optional stainless
steel doors

SPECIFICATION

ELECTRICAL:

115volts, 60 Hz, 1 phase AC.
AMP: 15A MAX (on all Self Contained units)

REFRIGERATION:

R22, Adjustable temperature control



NOMENCLATURE

NBRH-SC - - - () - (other options)

sizes:

1 - 24 = 1 door 24"
2 - 48 = 2 door 48"

door type:

BD - black vinyl clad doors
SSD - stainless doors
GD - glass doors
FLD - field laminate doors

hinge location:

(from left to right)
LH - left hinge
RH - right hinge

MODELS

model #	length
<input type="checkbox"/> NBRH-SC1-24.....	24"
<input type="checkbox"/> NBRH-SC2-48.....	48"

STANDARD FEATURES

- 18 gauge 304 stainless
- Heavy duty stainless gussets, 6" legs, adj. feet & support channels (*Custom series*)
- Wire racks
- Galvanized subtop & sides
- Foam in place insulation
- Epoxy coated evaporator coil (refrigeration components field installed)
- Compressor / condensing unit
- Temperature Control
- Condensate evaporator pan
- Louvered access panel
- Standard operating temperature of 38° F

OPTIONAL FEATURES

model #	description
<input type="checkbox"/> ST	stainless top
<input type="checkbox"/> SSS	s/s sides (left & right)
<input type="checkbox"/> DL	door locks
<input type="checkbox"/> LT	lights
<input type="checkbox"/> FC (w/ 404A TEX valve).....	freezer conversion
<input type="checkbox"/> T28	28° F (chiller)
<input type="checkbox"/> T48	48° F (white wine)
<input type="checkbox"/> T58	58° F (red wine)
<input type="checkbox"/> CST	casters
<input type="checkbox"/> CU	4" high stainless curb
<input type="checkbox"/> DTC	digital temp. control
<input type="checkbox"/> M	modified size

*see options section for more details

NATIONAL BAR SYSTEMS

Phone: (714) 848-1688

16571 Burke Lane Huntington Beach, CA 92647

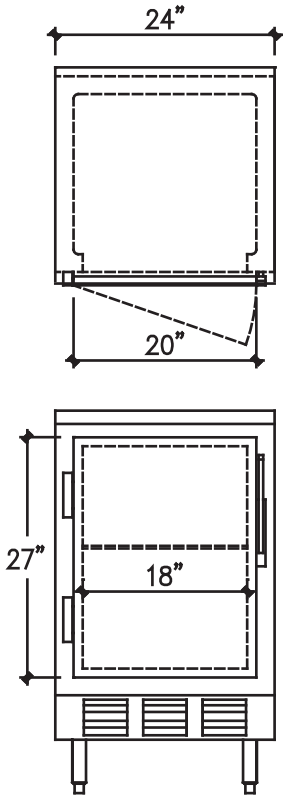
Fax: (714) 848-2788

Website: www.nbsmfg.com

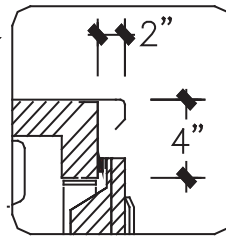
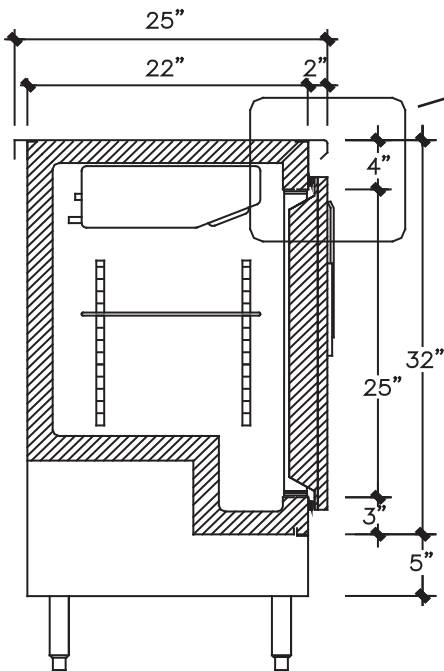
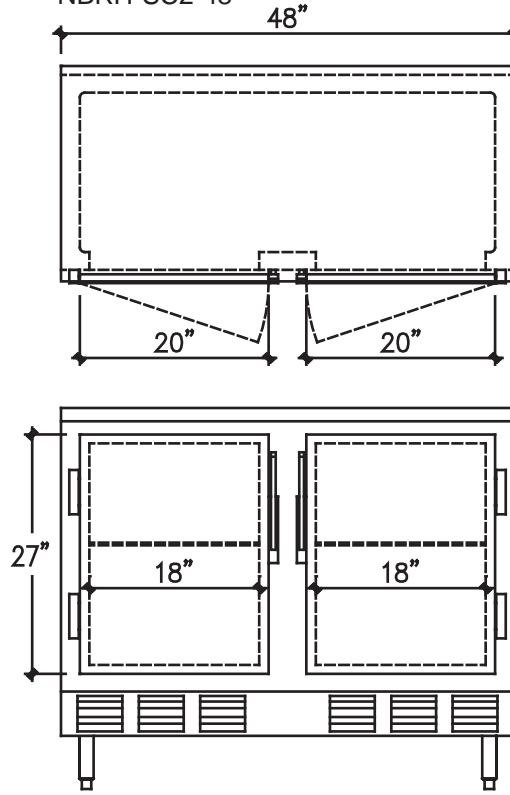


SELF-CONTAINED FRONT BREATHING REFRIGERATORS

model shown:
NBRH-SC1-24



model shown:
NBRH-SC2-48



SECTION (ALL MODELS)

TECHNICAL DATA

model #	length	shipping weight (lbs.)	no. of doors
NBRH-SC1-24	24"	200	1
NBRH-SC2-48	48"	250	2