



# SELF-CONTAINED MUG FROSTERS / GLASS CHILLERS

Project \_\_\_\_\_

Dealer \_\_\_\_\_

Item # \_\_\_\_\_ Quantity \_\_\_\_\_

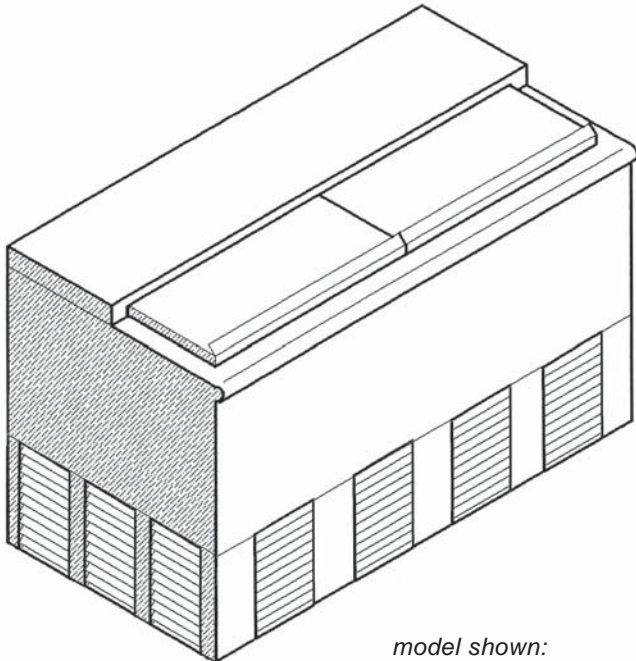
## MODELS

model # \_\_\_\_\_ length \_\_\_\_\_  
(MUG FROSTERS @ 0°)

- NMF-24.....24"
- NMF-36 .....36"
- NMF-48.....48"

(GLASS CHILLERS @ 28° F)

- NBG-24.....24"
- NBG-36.....36"
- NBG-48.....48"



model shown:  
NMF-48 / NBG-48

## STANDARD FEATURES

- 18 gauge 304 stainless
- All stainless interior & exterior
- Bullnose front design
- In place foam
- Stainless doors & handle
- Epoxy coated evaporator coil
- Compressor
- Louvered access panel
- Temperature control
- Mug Frosters operate at 0° F
- Glass Chillers operate at 28° F

## OPTIONAL FEATURES

- | model #                                    | description   |
|--|---|
| <input type="checkbox"/> BO.....           | bottle opener   |
| <input type="checkbox"/> CC.....           | cap can   |
| <input type="checkbox"/> CST.....          | casters   |
| <input type="checkbox"/> CU.....           | 4" high curb  |
| <input type="checkbox"/> DW.....           | deep well   |
| <input type="checkbox"/> DTC.....          | digital temp control  |
| <input type="checkbox"/> M.....            | modified size   |
| <input type="checkbox"/> GRR(per set)..... | s/s glass rail racks<br>(max 2 sets for standard depth)<br>(max 3 sets for deep well version) |

\*see options section for more details

## SPECIFICATION

### ELECTRICAL:

115volts, 60 Hz, 1 phase AC.  
AMP: 15A MAX (on all NMF models)

### REFRIGERATION:

Mug Froster: 404A  
Glass Chiller: R22



**NATIONAL BAR SYSTEMS**

Phone: (714) 848-1688

16571 Burke Lane Huntington Beach, CA 92647

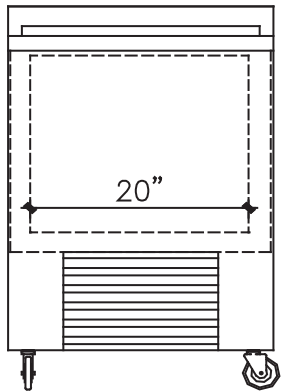
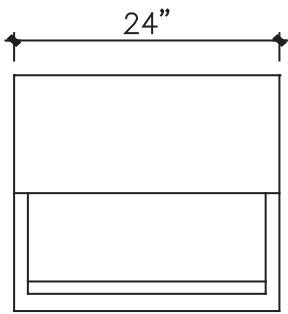
Fax: (714) 848-2788

Website: www.nbsmfg.com

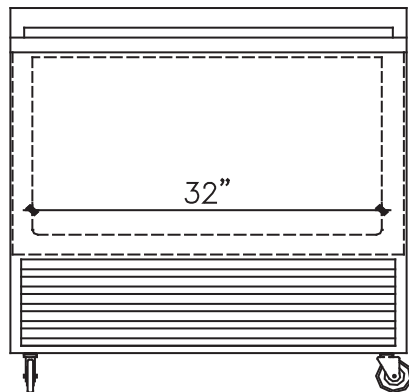
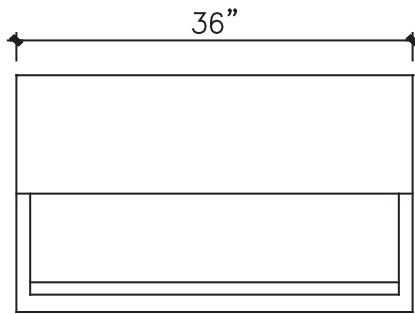


# SELF-CONTAINED MUG FROSTERS / GLASS CHILLERS

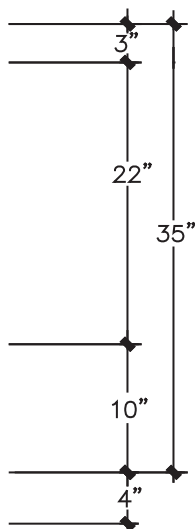
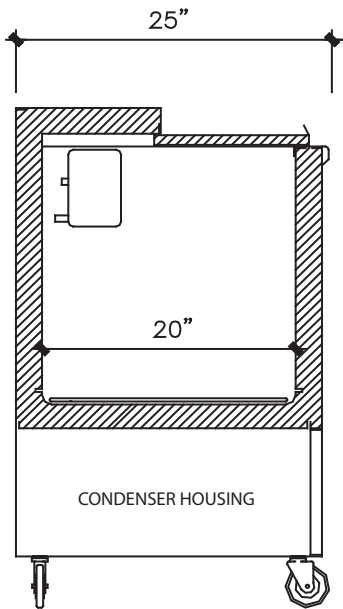
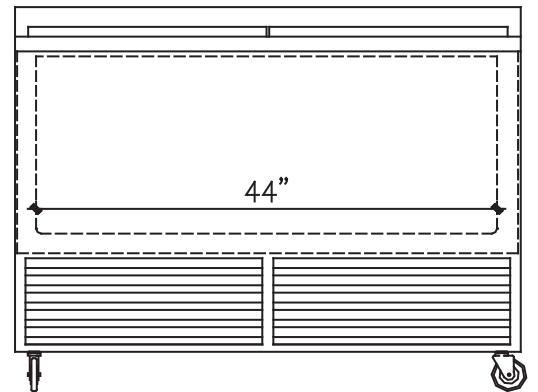
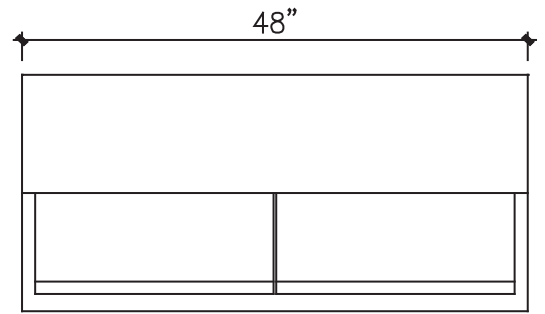
model shown:  
NMF/NBG-24-CST



model shown:  
NMF/NBG-36-CST



model shown:  
NMF/NBG-48-CST



## TECHNICAL DATA

model #	length	shipping weight(lbs.)
<b>(MUG FROSTERS)</b>		
NMF-24	24"	200
NMF-36	36"	225
NMF-48	48"	250
<b>(GLASS CHILLERS)</b>		
NBG-24	24"	200
NBG-36	36"	225
NBG-48	48"	250

## SECTION (ALL MODELS)