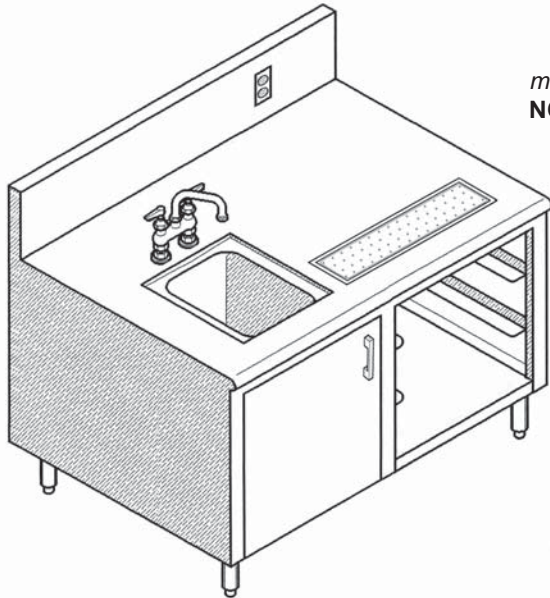


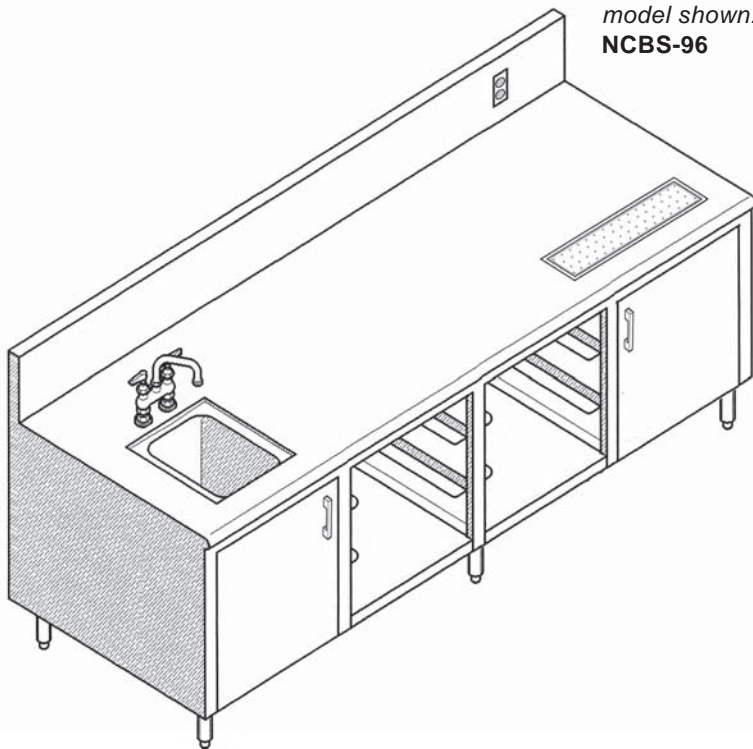
Project \_\_\_\_\_

Dealer \_\_\_\_\_

Item # \_\_\_\_\_ Quantity \_\_\_\_\_



model shown:  
**NCBS-48**



model shown:  
**NCBS-96**

## MODELS

model # (for different sizes call)	length
<input type="checkbox"/> <b>NCBS-48</b> .....	48"
<input type="checkbox"/> <b>NCBS-60</b> .....	60"
<input type="checkbox"/> <b>NCBS-72</b> .....	72"
<input type="checkbox"/> <b>NCBS-96</b> .....	96"

## STANDARD FEATURES

- 18 gauge #304 stainless
- Heavy duty stainless gussets, legs, adj. feet & support channels
- Bullnose front design
- Deck mounted faucet
- 34" working height
- Duplex receptacle on opposite end of sink
- 8" high back splash
- 10" x 14" x 10" deep sink bowl
- 1 set of 3-tier glass racks (NCBS-96 contains 2 sets)
- 24" x 6" x 1" deep drain pan
- Stainless steel doors
- Low lead certified faucet

## OPTIONAL FEATURES

model #	description
<input type="checkbox"/> <b>CF</b> (low lead certified).....	Chicago faucet upg.
<input type="checkbox"/> <b>SF</b> (low lead certified).....	stainless steel faucet upg.
<input type="checkbox"/> <b>DL</b> .....	door lock
<input type="checkbox"/> <b>QUP</b> .....	quad-plex receptacle
<input type="checkbox"/> <b>SP</b> _(4", 8", 10", 12").....	high splash
<input type="checkbox"/> <b>SS</b> _(L-left, R-right, B-both).....	side splash add on
<input type="checkbox"/> <b>DB</b> .....	dump basket
<input type="checkbox"/> <b>M</b> .....	modified size

\*see options section for more details

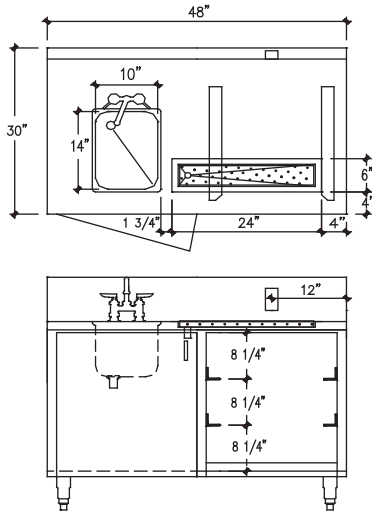
## SPECIFICATIONS

### PLUMBING:

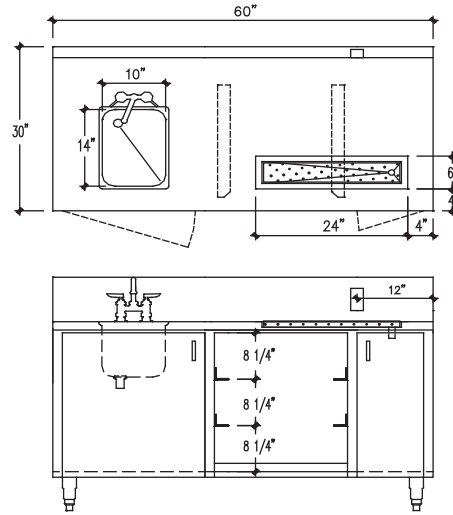
- 1/2" cold and hot connections
- 1-1/2" drain connections



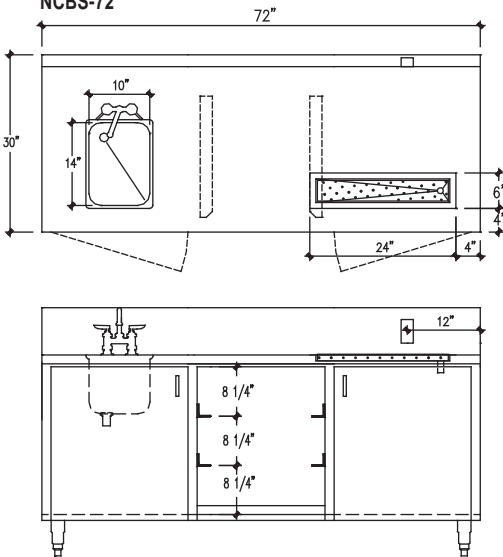
model shown:  
NCBS-48



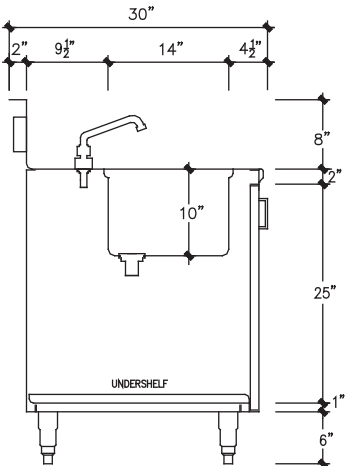
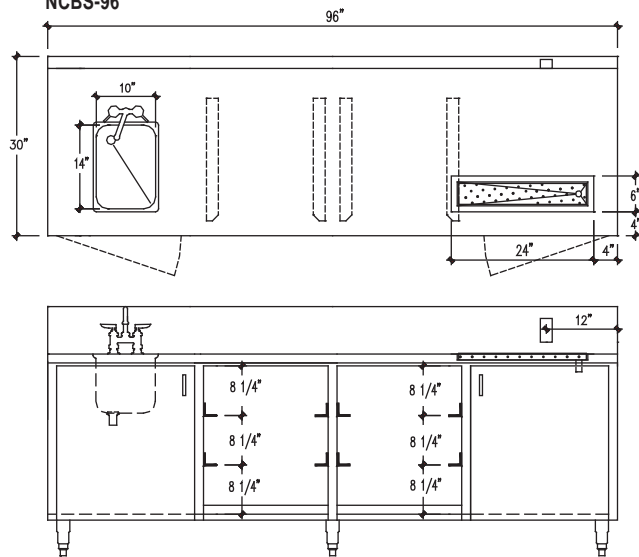
model shown:  
NCBS-60



model shown:  
NCBS-72



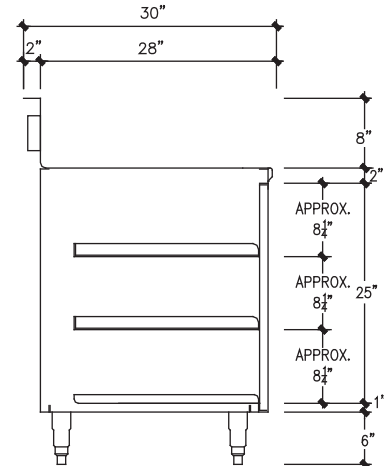
model shown:  
NCBS-96



**SECTION @ SINK**

## TECHNICAL DATA

model #	length	glass rack sets	shipping weight (lbs.)
NCBS-48	48"	1	180
NCBS-60	60"	1	220
NCBS-72	72"	1	260
NCBS-96	96"	2	300



**SECTION @ GLASS RACK**