

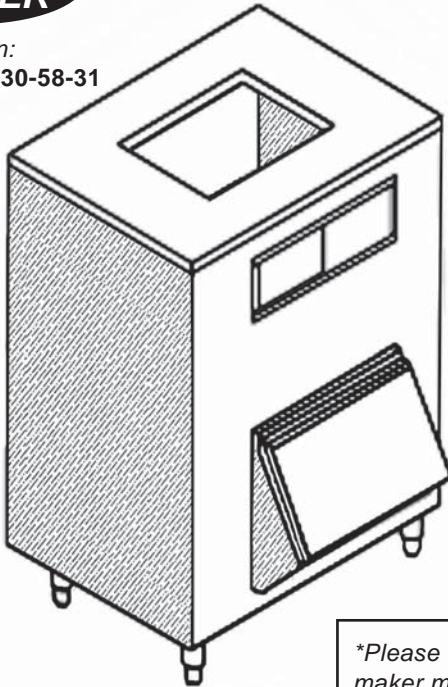
Project \_\_\_\_\_

Dealer \_\_\_\_\_

Item # \_\_\_\_\_ Quantity \_\_\_\_\_

## SINGLE HOPPER

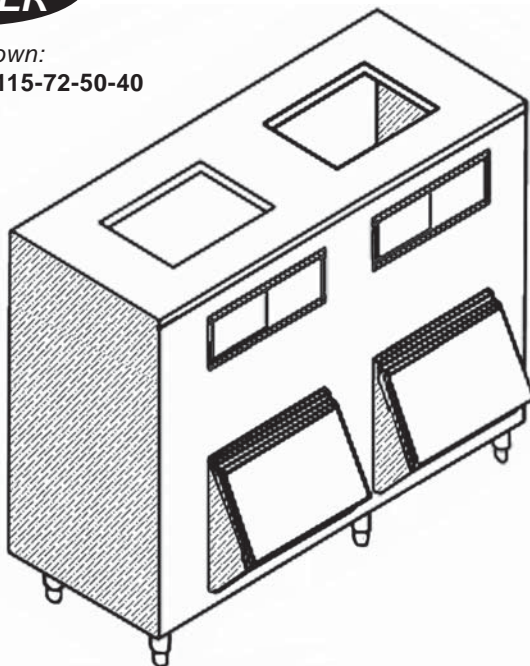
model shown:  
NISB-1-710-30-58-31



*\*Please specify ice maker model to determine top opening location & size(s)*

## DOUBLE HOPPER

model shown:  
NISB-2-2115-72-50-40



## NOMENCLATURE

NISB -

1= Single Hopper  
2= Double Hopper

Ice Capacity

Width

Height

Depth

## MODELS

Single Hopper Models

	length	height (w/o legs)	depth (w/o hopper)
<input type="checkbox"/> NISB-1-710-30-52-31	30"	52"	31"
<input type="checkbox"/> NISB-1-1000-48-48-31	48"	48"	31"
<input type="checkbox"/> NISB-1-1060-38-66-31	38"	66"	31"
<input type="checkbox"/> NISB-1-1170-56-48-31	56"	48"	31"
<input type="checkbox"/> NISB-1-1500-56-60-31	56"	60"	31"
<input type="checkbox"/> NISB-1-1660-60-60-31	60"	60"	31"
<input type="checkbox"/> NISB-1-2300-60-60-31	60"	60"	31"

Double Hopper Models

<input type="checkbox"/> NISB-2-2115-72-50-40	72"	50"	40"
<input type="checkbox"/> NISB-2-2245-72-46-48	72"	46"	48"
<input type="checkbox"/> NISB-2-2655-72-62-40	72"	62"	40"
<input type="checkbox"/> NISB-2-3240-72-62-48	72"	62"	48"
<input type="checkbox"/> NISB-2-3940-72-75-48	72"	75"	48"
<input type="checkbox"/> NISB-2-4640-72-88-48	72"	88"	48"
<input type="checkbox"/> NISB-2-4872-96-68-31	96"	68"	31"

## STANDARD FEATURES

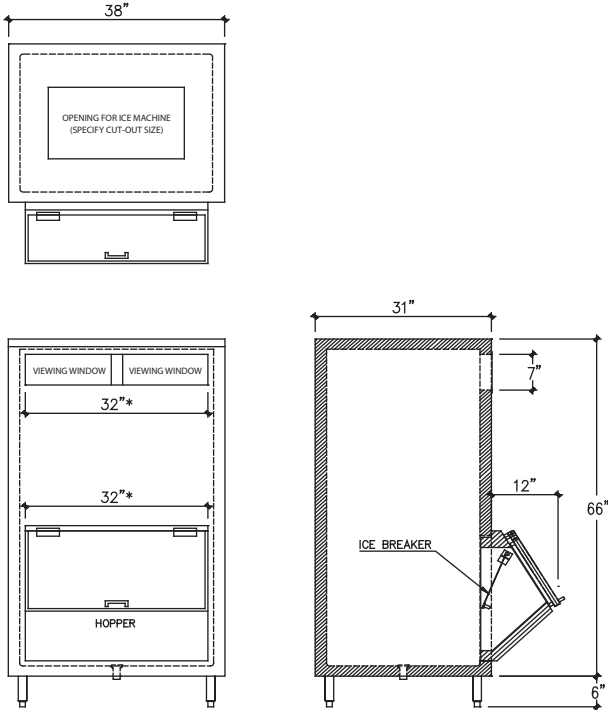
- 18 gauge 304 stainless steel construction
- Heavy duty stainless gussets, 6" legs, adj. feet & support channels
- 1/2" radius on interior for easy bin cleaning
- Edge mount hinged door
- 2" in place foam
- 3 1/4" x 1" NPS brass drain

## OPTIONAL FEATURES

model #	description
<input type="checkbox"/> RL	removable legs
<input type="checkbox"/> IB	ice bin divider
<input type="checkbox"/> SHV	ice shovel brackets
<input type="checkbox"/> FLG	s/s flanged feet
<input type="checkbox"/> M	modified size

\*see options section for more details

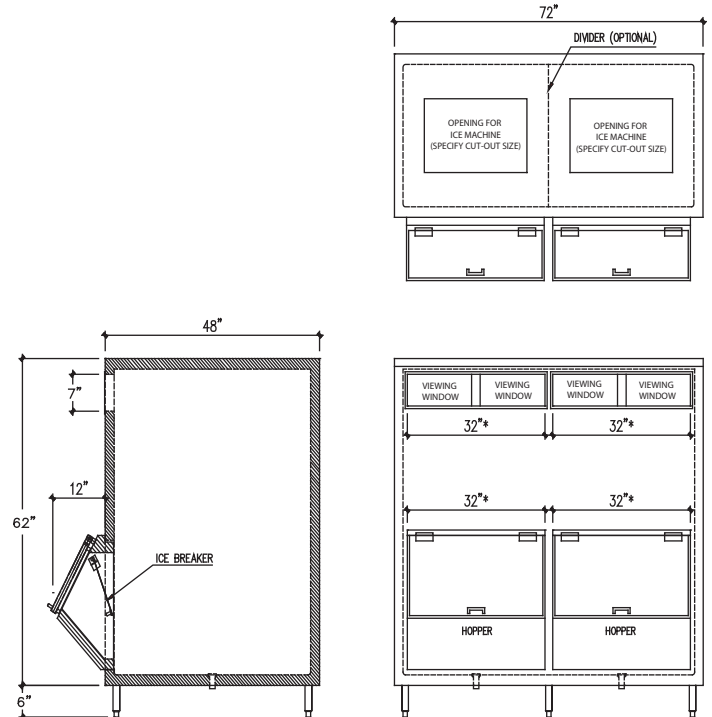
## SINGLE HOPPER



model shown:  
NISB-1-1060-38-66-31

\*hopper & viewing window  
width varies on ice bin model

## DOUBLE HOPPER



model shown:  
NISB-2-3240-72-62-48

### SINGLE HOPPER TECHNICAL DATA

model #	length	height (w/o legs)	depth (w/o hopper)	ice capacity (lbs.)	shipping weight(lbs.)
NISB-1-710-30-52-31	30"	52"	31"	710	520
NISB-1-1000-48-48-31	48"	48"	31"	1000	745
NISB-1-1060-38-66-31	38"	66"	31"	1060	760
NISB-1-1170-56-48-31	56"	48"	31"	1070	795
NISB-1-1500-56-60-31	56"	60"	31"	1500	795
NISB-1-1660-60-60-31	60"	60"	31"	1660	1065
NISB-1-2300-60-60-31	60"	60"	31"	2300	1170

### DOUBLE HOPPER TECHNICAL DATA

model #	length	height (w/o legs)	depth (w/o hopper)	ice capacity (lbs.)	shipping weight(lbs.)
NISB-2-2215-72-50-40	72"	50"	40"	2115	650
NISB-2-2245-72-46-48	72"	46"	48"	2245	725
NISB-2-2655-72-62-40	72"	62"	40"	2655	766
NISB-2-3240-72-62-48	72"	62"	48"	3240	935
NISB-2-3940-72-75-48	72"	75"	48"	3940	980
NISB-2-4640-72-88-48	72"	88"	48"	4640	1090
NISB-2-4872-96-68-31	96"	68"	31"	4872	1140