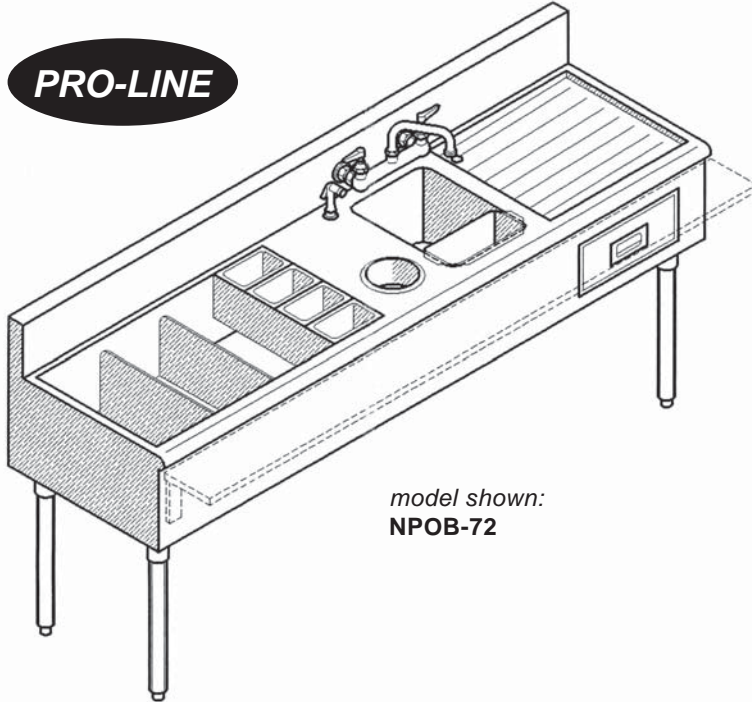
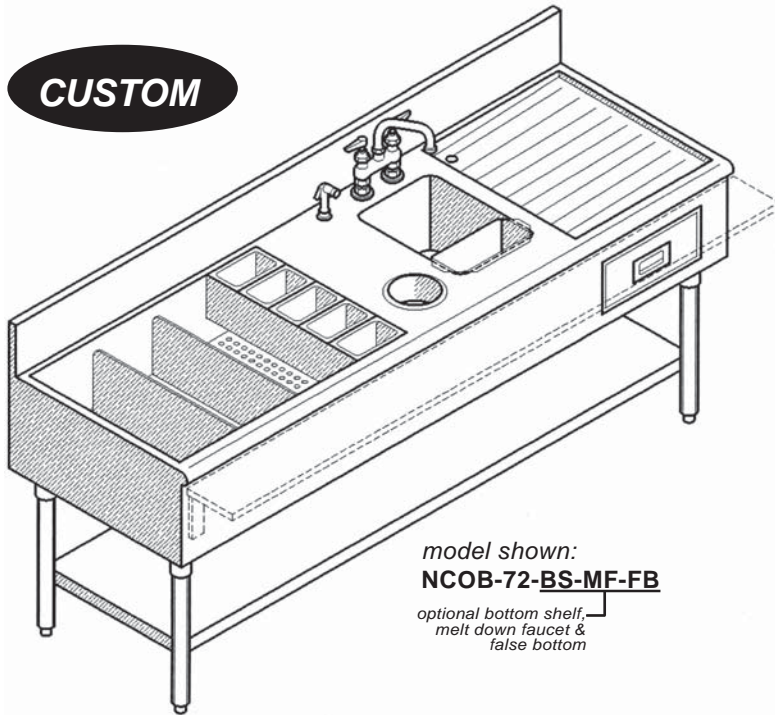


PRO-LINE



model shown:
NPOB-72

CUSTOM



model shown:
NCOB-72-BS-MF-FB
optional bottom shelf,
melt down faucet &
false bottom

SPECIFICATIONS

PLUMBING:

- 1/2" cold and hot connections
- 1-1/2" drain connections for the sink
- 1" drain connections for the ice bin



Project _____

Dealer _____

Item # _____ Quantity _____

PRO-LINE SERIES 20" DEEP

model # (for different sizes call) length

- NPOB-60..... 60"
- NPOB-72..... 72"

CUSTOM SERIES 24" DEEP

model # (for different sizes call) length

- NCOB-60..... 60"
- NCOB-72..... 72"

STANDARD FEATURES

- 18 gauge 304 stainless
- Heavy duty stainless gussets, legs, adj. feet & support channels
- Bullnose front design
- Seamless tops, drainboards pitched to sinks
- Sound insulation undercoating
- Low lead certified faucet (1/2" cold & hot connect.)
- 10" x 14" x 10" dump sink w/ a dump basket
- Foam insulated ice bins w/ ice bin dividers
- Utility drawer
- Fold down cutting board
- 6" High back splash

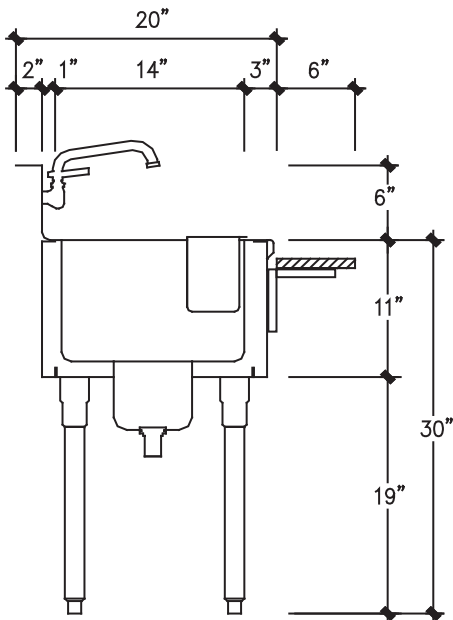
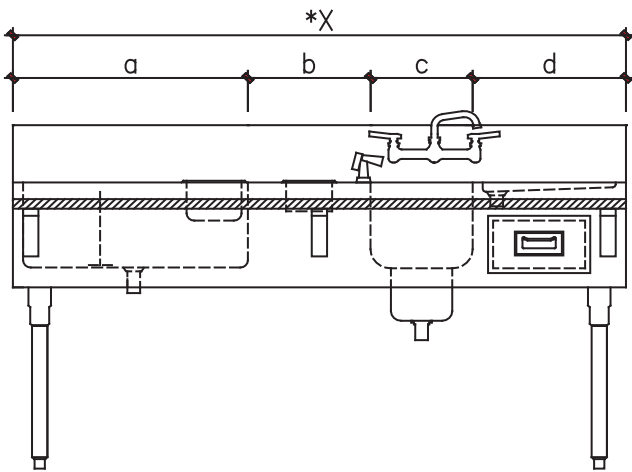
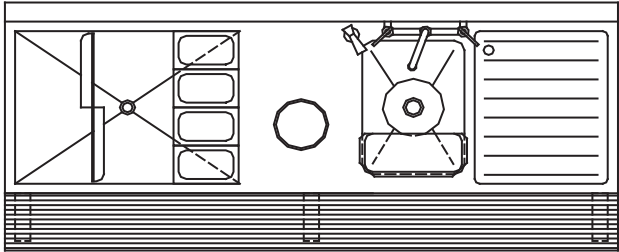
OPTIONAL FEATURES

| model # | description |
|--|-----------------------------|
| <input type="checkbox"/> CF (low lead certified)..... | Chicago faucet upg. |
| <input type="checkbox"/> SF (low lead certified)..... | stainless steel faucet upg. |
| <input type="checkbox"/> CT..... | condiment tray |
| <input type="checkbox"/> CB..... | cabinet base |
| <input type="checkbox"/> APR (removable)..... | hinged apron frnt pnl |
| <input type="checkbox"/> DR (used w/ -CB)..... | door |
| <input type="checkbox"/> FB..... | false bottom |
| <input type="checkbox"/> CP__(8, 10 or 12 circuit)..... | cold plate |
| <input type="checkbox"/> SN..... | soda notch |
| <input type="checkbox"/> RC..... | removable cover |
| <input type="checkbox"/> TB..... | towel bar |
| <input type="checkbox"/> BS..... | bottom shelf |
| <input type="checkbox"/> MF..... | melt-down faucet |
| <input type="checkbox"/> SP__(4", 8", 10", 12")..... | splash height |
| <input type="checkbox"/> M..... | modified size |
| <input type="checkbox"/> AS (instead of galv. lower back)..... | all stainless st. upg. |

*see options section for more details

PRO-LINE

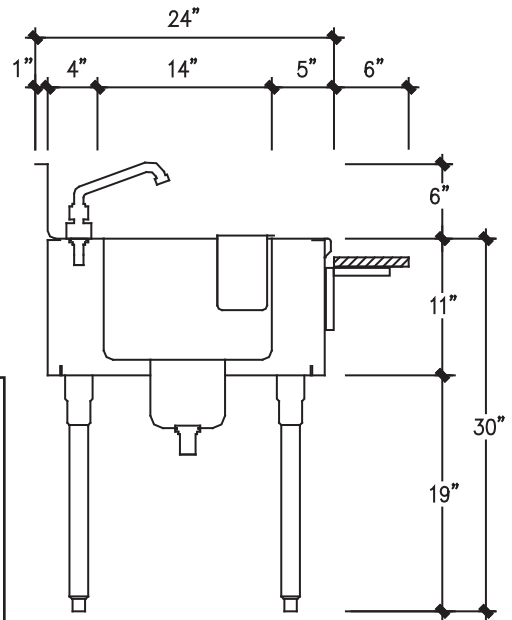
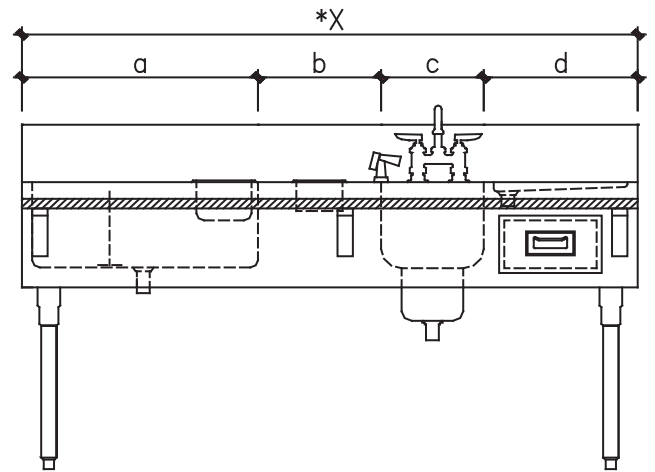
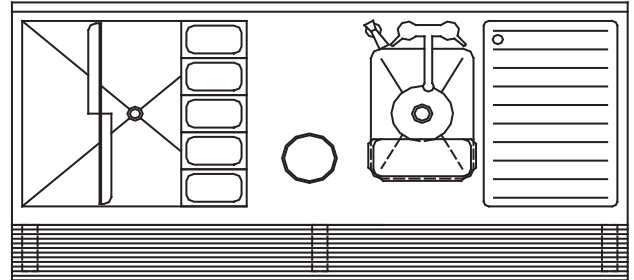
model shown:
NPOB-*X



SECTION (PRO LINE)

CUSTOM

model shown:
NCOB-*X



SECTION (CUSTOM)

TECHNICAL DATA

| model # | length *x (in.) | | | | shipping weight (lbs.) |
|---------|-----------------|----|----|----|------------------------|
| | a | b | c | d | |
| NPOB-60 | 24 | 12 | 12 | 12 | 160 |
| NPOB-72 | 30 | 12 | 12 | 18 | 175 |
| NCOB-60 | 24 | 12 | 12 | 12 | 170 |
| NCOB-72 | 30 | 12 | 12 | 18 | 185 |