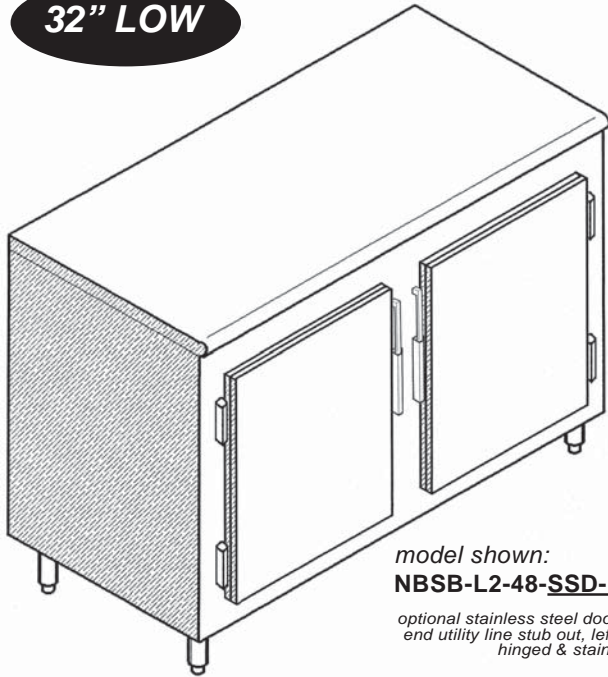


Project _____

Dealer _____

Item # _____ Quantity _____

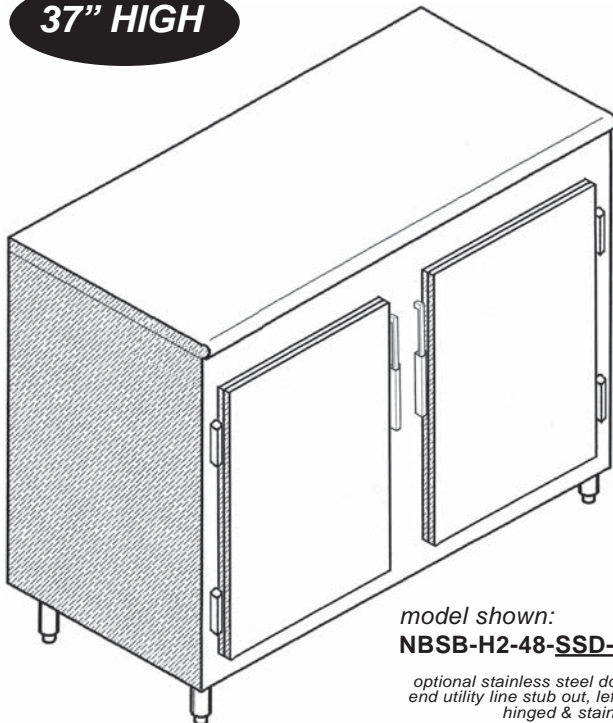
32" LOW



model shown:
NBSB-L2-48-SSD-RE-(LHRH)-ST

optional stainless steel doors, right end utility line stub out, left & right hinged & stainless top

37" HIGH



model shown:
NBSB-H2-48-SSD-LE-(LHRH)-ST

optional stainless steel doors, left end utility line stub out, left & right hinged & stainless top

NOMENCLATURE

NBSB- - - - - () - (other options)

model type:
H - high
L - low

sizes:
1 - 24 = 1 door 24"
2 - 48 = 2 door 48"
3 - 72 = 3 door 72"
4 - 96 = 4 door 96"

hinge location:
(from left to right)
LH - left hinge
RH - right hinge

utility line stub out
(from left to right)
LE - left end
RE - right end

door type:
BD - black vinyl clad doors
SSD - stainless doors
GD - glass doors
FLD - field laminate doors

MODELS

model #	length
<input type="checkbox"/> NBSB-H1-24.....	24"
<input type="checkbox"/> NBSB-H2-48.....	48"
<input type="checkbox"/> NBSB-H3-72.....	72"
<input type="checkbox"/> NBSB-H4-96.....	96"
<input type="checkbox"/> NBSB-H5-120.....	120"
<input type="checkbox"/> NBSB-L1-24.....	24"
<input type="checkbox"/> NBSB-L2-48.....	48"
<input type="checkbox"/> NBSB-L3-72.....	72"
<input type="checkbox"/> NBSB-L4-96.....	96"
<input type="checkbox"/> NBSB-L5-120.....	120"

STANDARD FEATURES

- 18 gauge 304 stainless
- Heavy duty stainless gussets, 6" legs, adj. feet & support channels
- Wire racks
- Galvanized subtop & sides
- 2" in place foam

OPTIONAL FEATURES

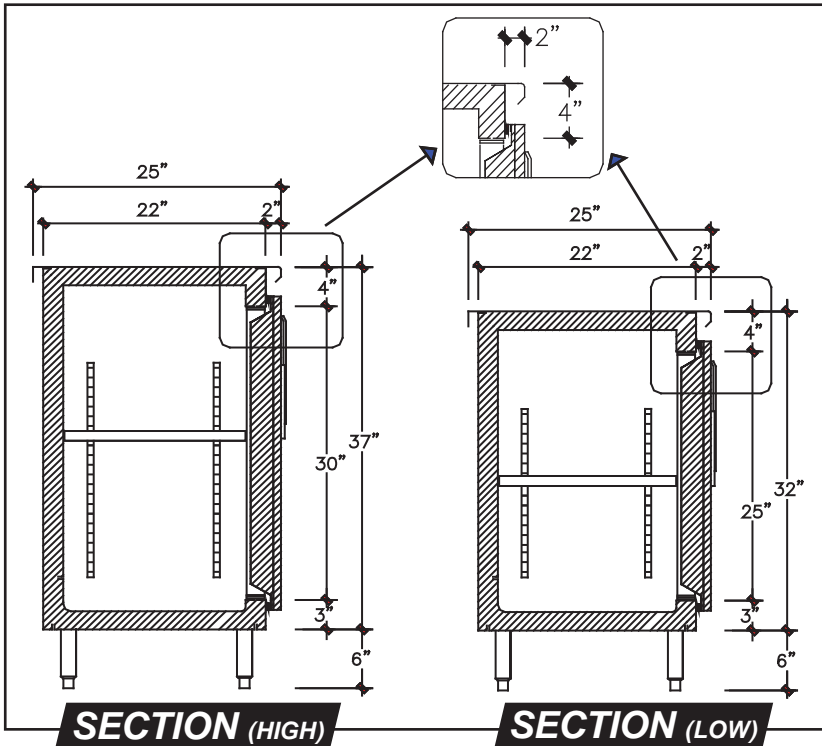
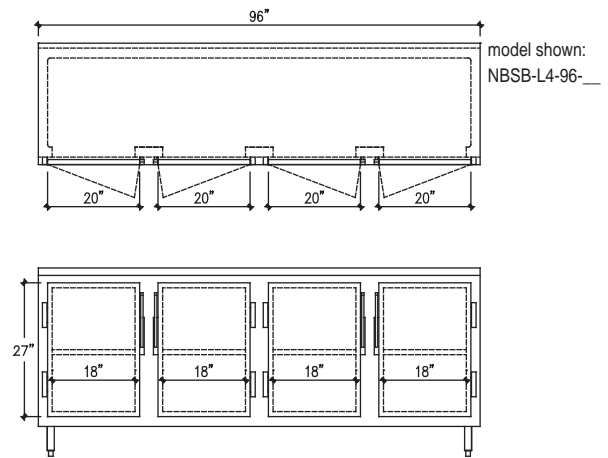
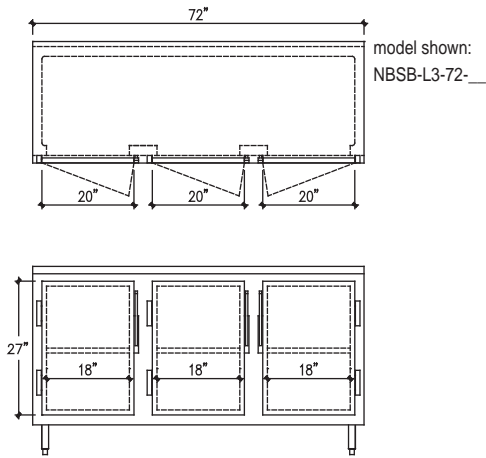
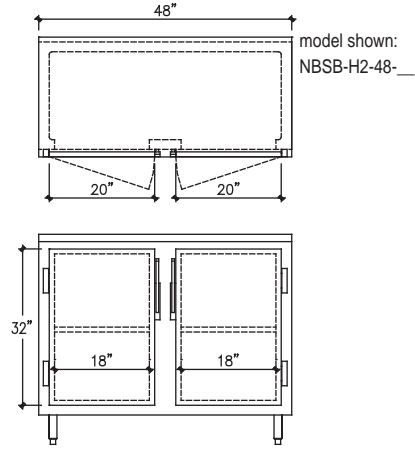
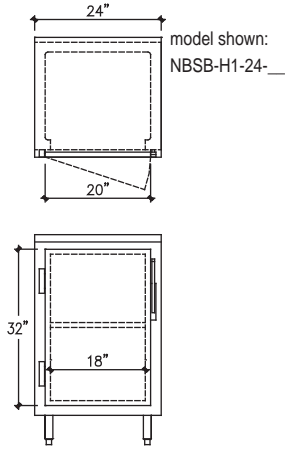
model #	description
<input type="checkbox"/> ST.....	stainless top
<input type="checkbox"/> SSS.....	s/s sides (left & right)
<input type="checkbox"/> DL.....	door locks
<input type="checkbox"/> LT.....	lights
<input type="checkbox"/> CST.....	casters
<input type="checkbox"/> CU.....	4" high stainless curb
<input type="checkbox"/> DTC.....	digital temp. control
<input type="checkbox"/> M.....	modified size

*see options section for more details





HIGH & LOW DRY BACKBAR STORAGES



TECHNICAL DATA

model #	length	shipping weight (lbs.)
NBSB-H1-24	24"	160
NBSB-H2-48	48"	185
NBSB-H3-72	72"	210
NBSB-H4-96	96"	235
NBSB-H5-120	120"	260
NBSB-L1-24	24"	150
NBSB-L2-48	48"	175
NBSB-L3-72	72"	200
NBSB-L4-96	96"	225
NBSB-L5-120	120"	250