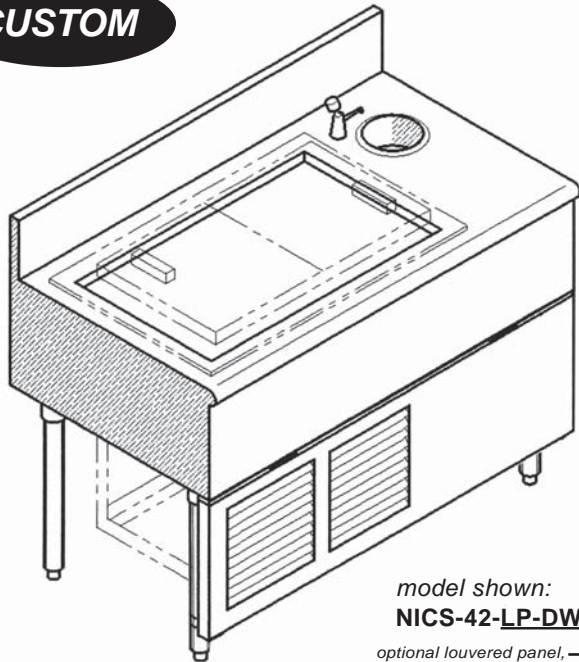
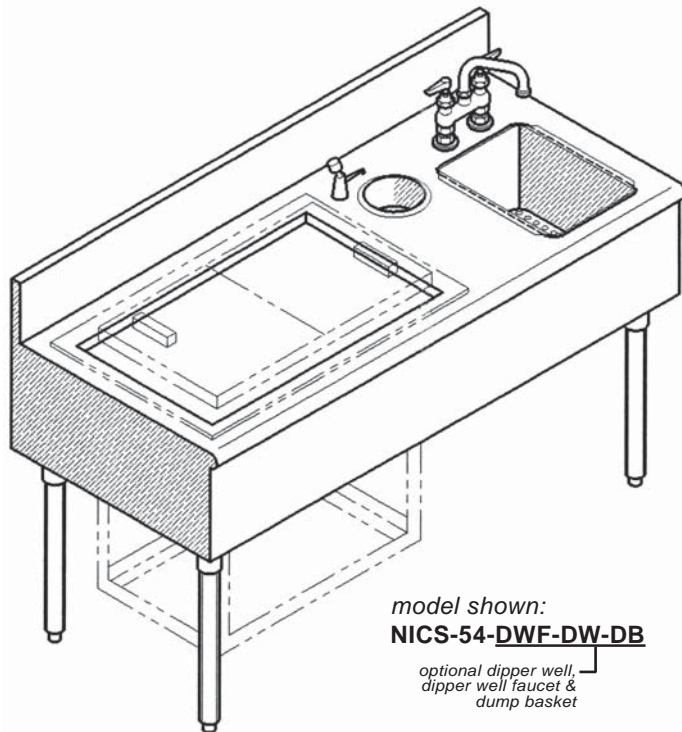


## CUSTOM



model shown:  
**NICS-42-LP-DWF-DW**  
optional louvered panel,  
dipper well & dipper  
well faucet



model shown:  
**NICS-54-DWF-DW-DB**  
optional dipper well,  
dipper well faucet &  
dump basket

Project \_\_\_\_\_

Dealer \_\_\_\_\_

Item # \_\_\_\_\_ Quantity \_\_\_\_\_

### CUSTOM SERIES 24" DEEP

model #	length
<input type="checkbox"/> NICS-42.....	42"
<input type="checkbox"/> NICS-54.....	54"

### STANDARD FEATURES

- 18 gauge 304 stainless
- Heavy duty stainless gussets, legs, adj. feet & support channels (*Custom series*)
- Bullnose front design
- Seamless tops, drainboards pitched to sinks
- Sound insulation undercoating
- Faucets, drains, flow pipes
- 10 x 14 x 10 sink bowls
- Cutout for freezer & dipper well (N.I.C.) (*verify size*)
- Waste chute

### OPTIONAL FEATURES

model #	description
<input type="checkbox"/> CB.....	cabinet based
<input type="checkbox"/> APR__(removable).....	hinged apron frnt pnl
<input type="checkbox"/> DR.....	door
<input type="checkbox"/> LP.....	louvered panel
<input type="checkbox"/> DW.....	dipper well
<input type="checkbox"/> DWF.....	dipper well faucet
<input type="checkbox"/> DB.....	dump basket
<input type="checkbox"/> M.....	modified size
<input type="checkbox"/> AS (instead of galv. lower back).....	all stainless st. upg.

\*see options section for more details

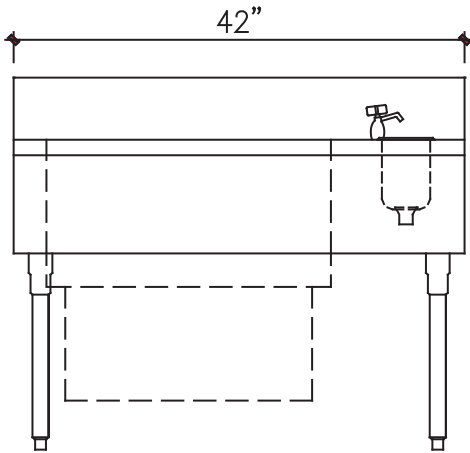
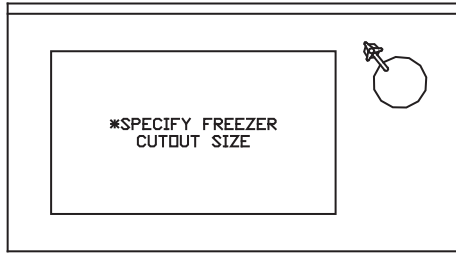
### SPECIFICATIONS

#### PLUMBING:

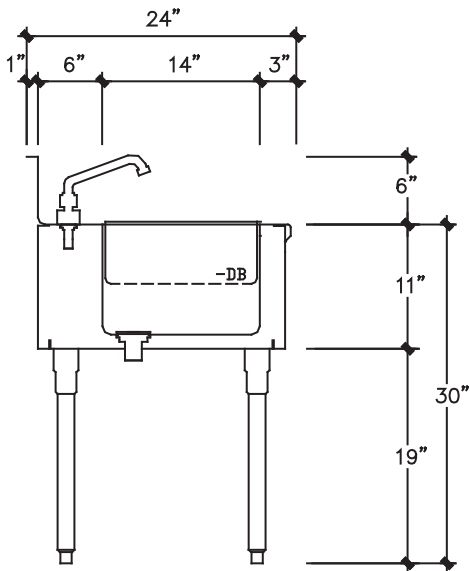
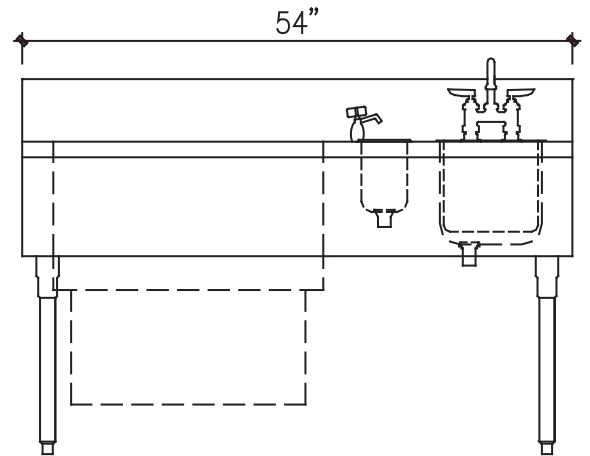
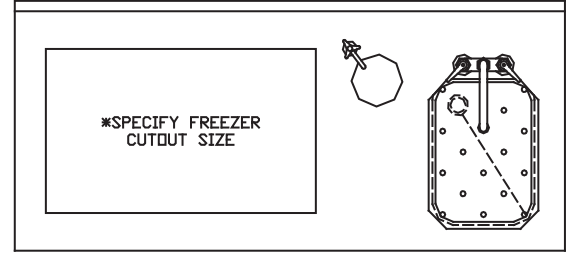
- 1/2" cold and hot connections
- 1-1/2" stainless steel drain connections



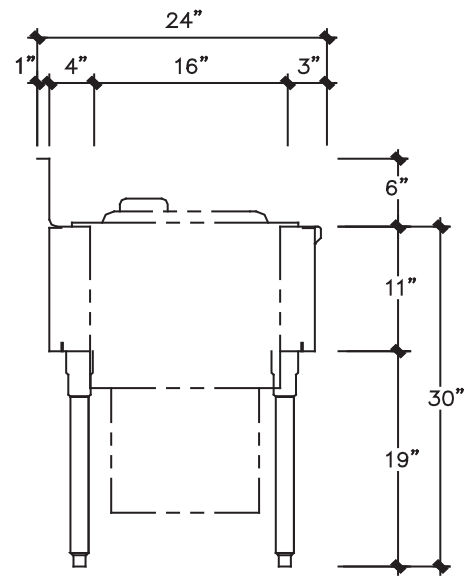
model shown:  
NICS-42



model shown:  
NICS-54



**SECTION @ SINK**



**SECTION @ FREEZER**

### TECHNICAL DATA

model #	length	shipping weight(lbs.)
NICS-42	42"	85
NICS-54	54"	105