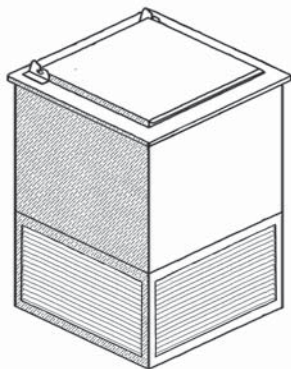
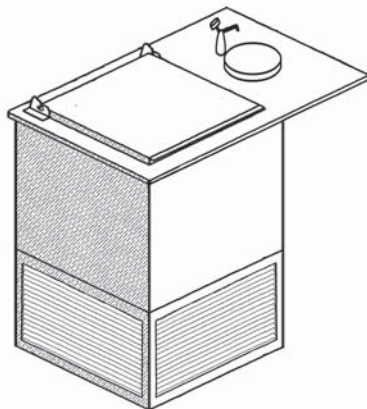




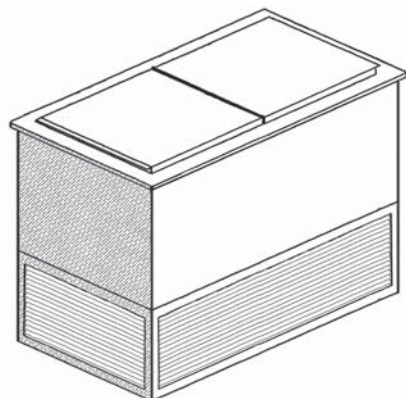
# SELF-CONTAINED DROP-IN ICE CREAM FREEZERS



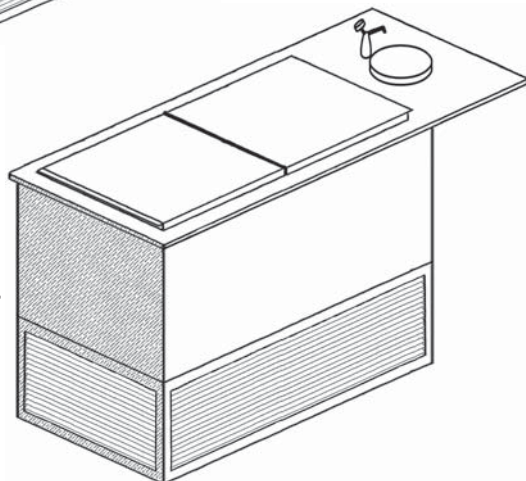
model shown:  
**NMF-DIC-16**



model shown:  
**NMF-DIC-DW-24**



model shown:  
**NMF-DIC-FL-26**



model shown:  
**NMF-DIC-DW-FL-34**

Project \_\_\_\_\_

Dealer \_\_\_\_\_

Item # \_\_\_\_\_ Quantity \_\_\_\_\_

## MODELS

model #	length
<input type="checkbox"/> NMF-DIC-16.....	16"
<input type="checkbox"/> NMF-DIC-DW-24.....	24"
<input type="checkbox"/> NMF-DIC-FL-26.....	26"
<input type="checkbox"/> NMF-DIC-DW-34.....	34"
<input type="checkbox"/> NMF-DIC-DW-FL-34.....	34"

## STANDARD FEATURES

- Stainless steel constructed work surface, lid and interior liner w/ galvanized steel exterior wrap
- In place foam
- Available w/ 6" diameter draining dipper well and faucet
- Available sizes for one or two 3-gallon containers
- Compressor
- Louvered access panel
- Temperature control
- Removable lid cover w/ special hold-open brackets for easy dipping
- Standard operating temperature at 0° F

## OPTIONAL FEATURES

model #	description
<input type="checkbox"/> M.....	modified size

\*see options section for more details

## SPECIFICATION

### ELECTRICAL:

115volts, 60 Hz, 1 phase AC.  
AMP: 15A MAX

### REFRIGERATION:

R- 414B, Capillary Design



**NATIONAL BAR SYSTEMS**

Phone: (714) 848-1688

16571 Burke Lane Huntington Beach, CA 92647

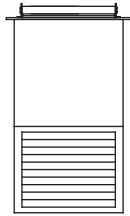
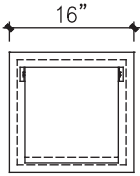
Fax: (714) 848-2788

Website: [www.nbsmfg.com](http://www.nbsmfg.com)

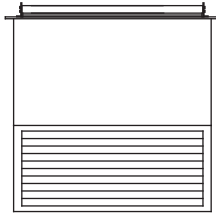
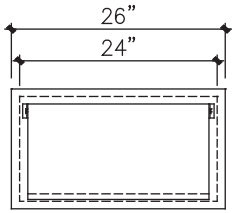


# SELF-CONTAINED DROP-IN ICE CREAM FREEZERS

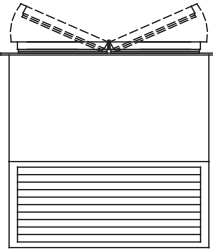
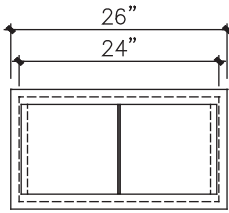
model shown:  
NMF-DIC-16



model shown:  
NMF-DIC-26



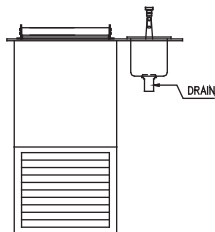
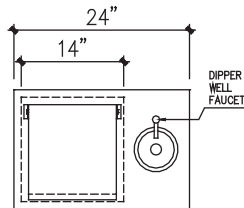
model shown:  
NMF-DIC-FL-26



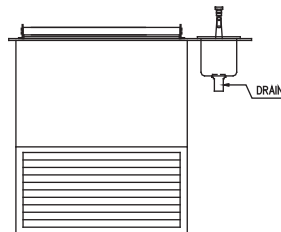
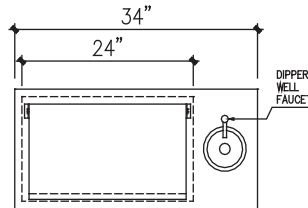
Note: This model is equip w/ a special "flip lid" which is hinged in the middle and opens on each end

## Self-contained drop-in ice cream freezers w/ dipper wells

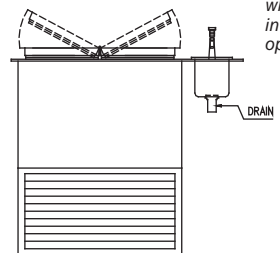
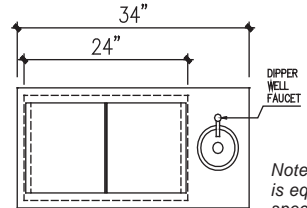
model shown:  
NMF-DIC-DW-24



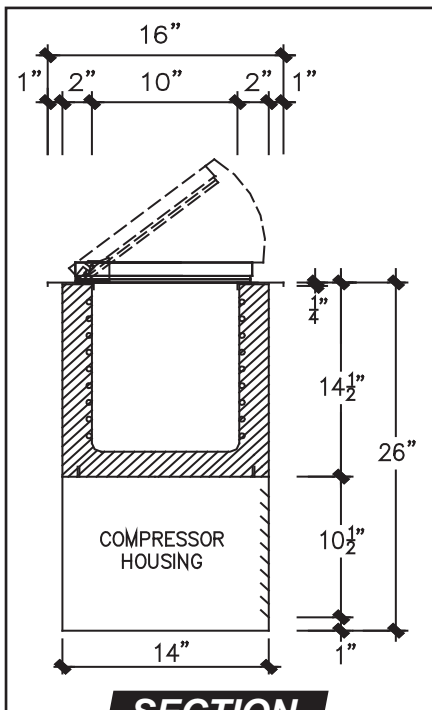
model shown:  
NMF-DIC-DW-34



model shown:  
NMF-DIC-DW-FL-34



Note: This model is equip w/ a special "flip lid" which is hinged in the middle and opens on each end



**SECTION**

### TECHNICAL DATA

model #	length	inside dimensions	cut-out dimensions	shipping weight(lbs.)
NMF-DIC-16	16"	10"x10"x12 1/2"dp	14 1/4"x14 1/4"	100
NMF-DIC-26	26"	10"x10"x12 1/2"dp	24 1/4"x14 1/4"	110
NMF-DIC-FL-26	26"	10"x20"x12 1/2"dp	24 1/4"x14 1/4"	110
NMF-DIC-DW-24	24"	10"x10"x12 1/2"dp	22 1/4"x14 1/4"	105
NMF-DIC-DW-34	34"	10"x20"x12 1/2"dp	32 1/4"x14 1/4"	115
NMF-DIC-DW-FL-34	34"	10"x20"x12 1/2"dp	32 1/4"x14 1/4"	120