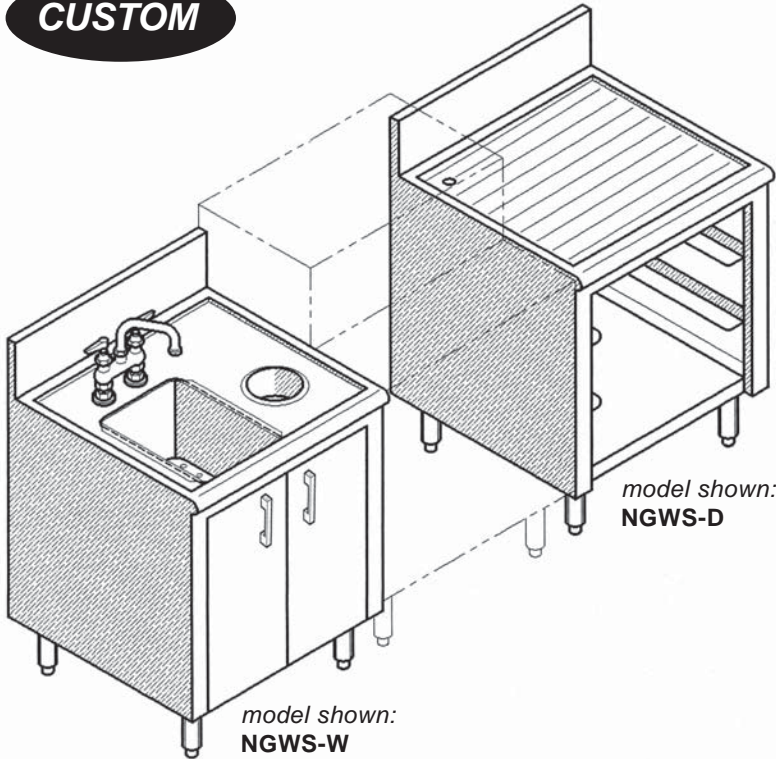


Project _____

Dealer _____

Item # _____ Quantity _____

CUSTOM



WET GLASS STATION

model # depth length

NGWS-W.....24".....24"

DRY GLASS STATION

model # depth length

NGWS-D.....24".....24"

STANDARD FEATURES

- 18 gauge 304 stainless
- Heavy duty stainless gussets, legs, adj. feet & support channels (*Custom series*)
- Bullnose front design
- Seamless tops, drainboards pitched to sinks
- Sound insulation undercoating
- Low lead certified faucet (1/2" cold & hot connect.)
- 10" x 14" x 10" sink bowl
- Dump basket
- Hinged doors
- 20" x 20" glass racks
- All stainless steel construction

OPTIONAL FEATURES

model # description

CF(low lead certified)..... Chicago faucet upg.

SF(low lead certified)..... stainless steel faucet upg.

STC.....stainless trash can**

RTC.....rubber trash can**

M..... modified size

**see options section for more details*

*** available on wet glass station*

SPECIFICATIONS

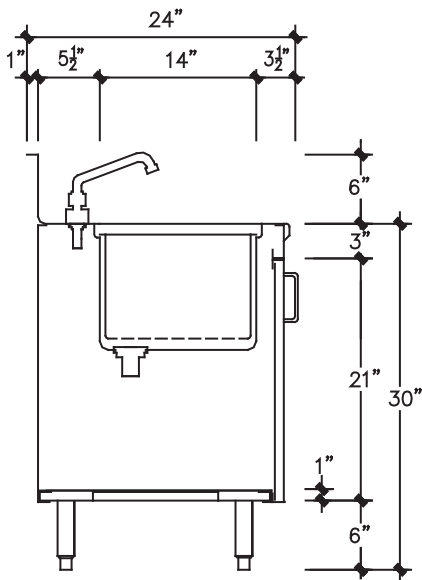
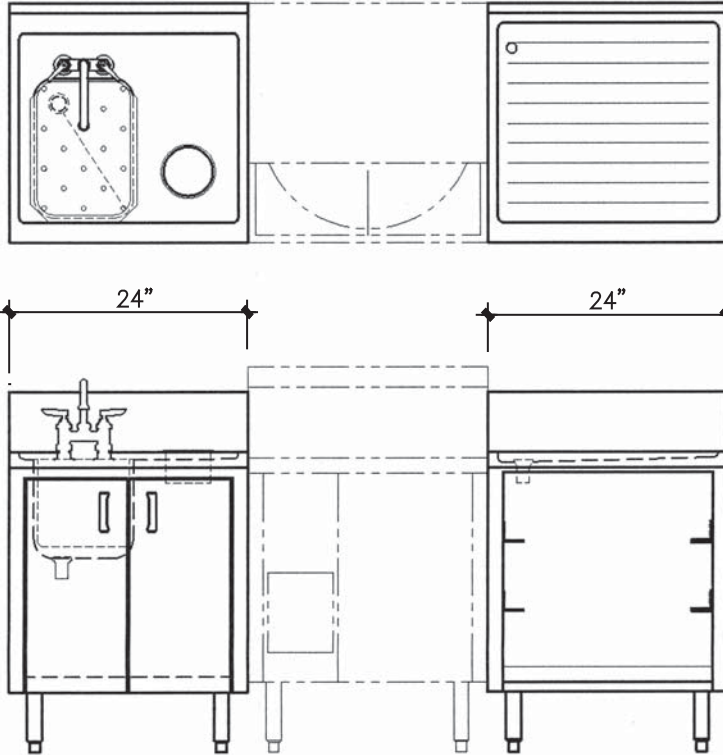
PLUMBING:

- 1/2" cold and hot connections
- 1-1/2" drain connections for Dump Sink
- 1" drain connections for Drainboard



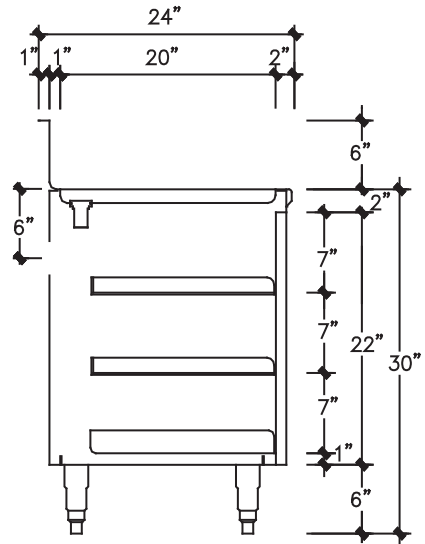
model shown:
NGWS-W

model shown:
NGWS-D



SECTION (NGWS-W)

TECHNICAL DATA	
model #	shipping weight(lbs.)
NGWS-W	95
NGWS-D	85



SECTION (NGWS-D)