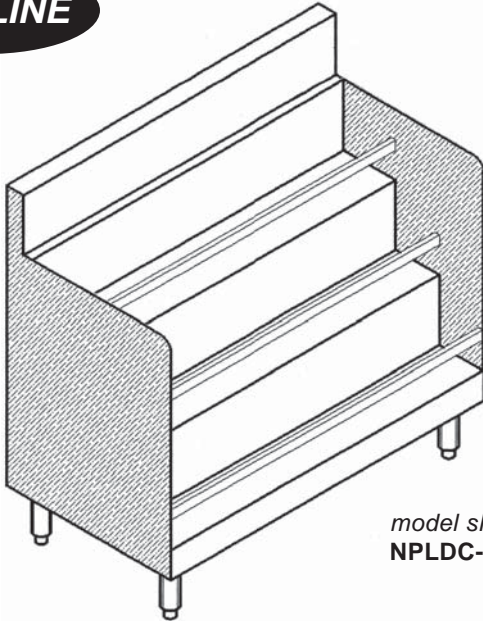


Project _____

Dealer _____

Item # _____ Quantity _____

PRO-LINE



model shown:
NPLDC-36

PRO-LINE SERIES 20" DEEP

model # (for different sizes call)	length
<input type="checkbox"/> NPLDC-12.....	12"
<input type="checkbox"/> NPLDC-24.....	24"
<input type="checkbox"/> NPLDC-36.....	36"
<input type="checkbox"/> NPLDC-48.....	48"

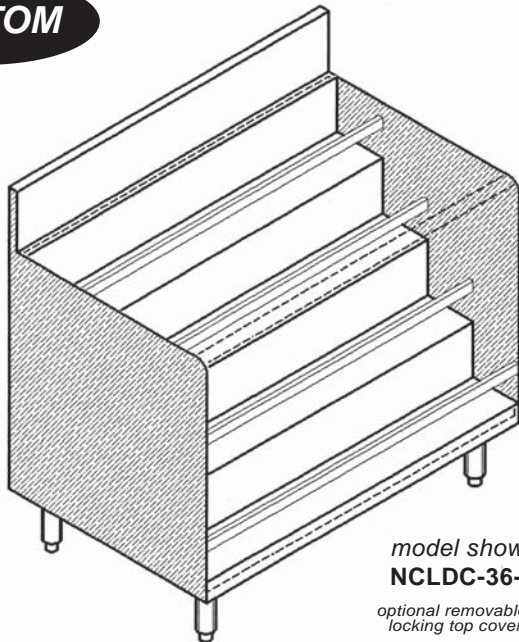
CUSTOM SERIES 24" DEEP

model # (for different sizes call)	length
<input type="checkbox"/> NCLDC-12.....	12"
<input type="checkbox"/> NCLDC-24.....	24"
<input type="checkbox"/> NCLDC-36.....	36"
<input type="checkbox"/> NCLDC-48.....	48"

STANDARD FEATURES

- 18 gauge 304 stainless
- Heavy duty stainless gussets, legs, adj. feet & support channels
- Stainless guard rails
- Step up display
- 6" High back splash

CUSTOM



model shown:
NCLDC-36-LCT

optional removable
locking top cover

OPTIONAL FEATURES

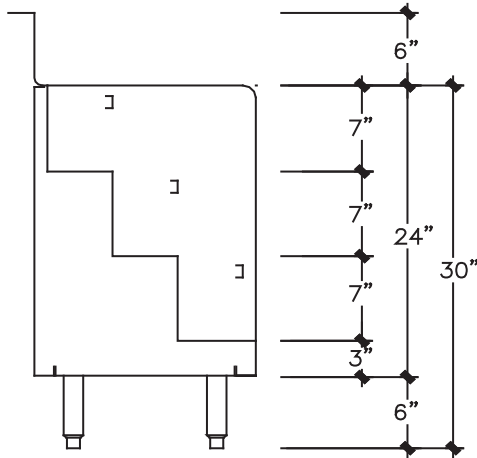
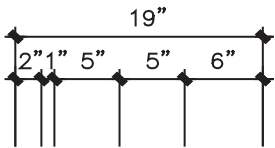
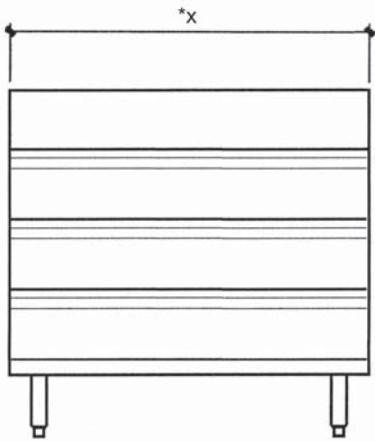
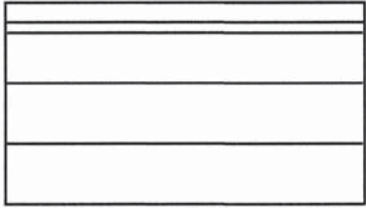
model #	description
<input type="checkbox"/> DB.....	drainboard top
<input type="checkbox"/> FT.....	flat top
<input type="checkbox"/> APR (removable).....	hinged apron frnt pnl
<input type="checkbox"/> CU.....	6" high s/s curb
<input type="checkbox"/> LCT.....	rem. locking top & cover
<input type="checkbox"/> M.....	modified size
<input type="checkbox"/> SP__(4", 8", 10", 12").....	high splash
<input type="checkbox"/> BC.....	chase
<input type="checkbox"/> AS (instead of galv. lower back).....	all stainless stl. upg.

*see options section for more details

** for integral top

PRO-LINE

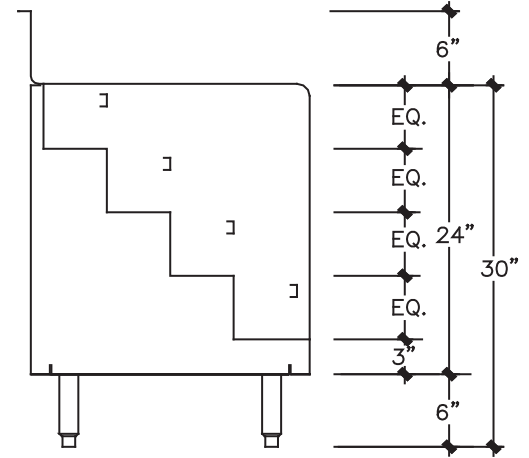
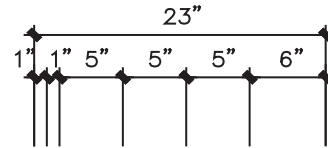
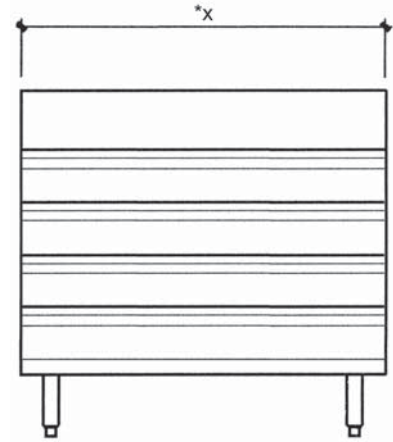
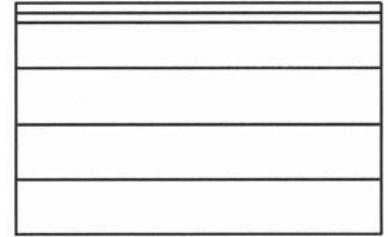
model shown:
NPLDC-*X



SECTION (PRO-LINE)

CUSTOM

model shown:
NCLDC-*X



SECTION (CUSTOM)

TECHNICAL DATA

model #	length *x	shipping weight (lbs.)
NPLDC-12	12"	50
NPLDC-24	24"	65
NPLDC-36	36"	80
NPLDC-48	48"	95
NCLDC-12	12"	55
NCLDC-24	24"	70
NCLDC-36	36"	85
NCLDC-48	48"	100