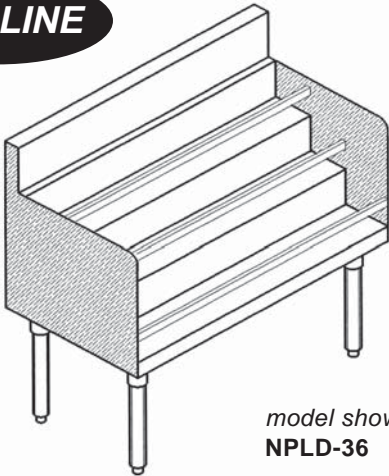


Project \_\_\_\_\_

Dealer \_\_\_\_\_

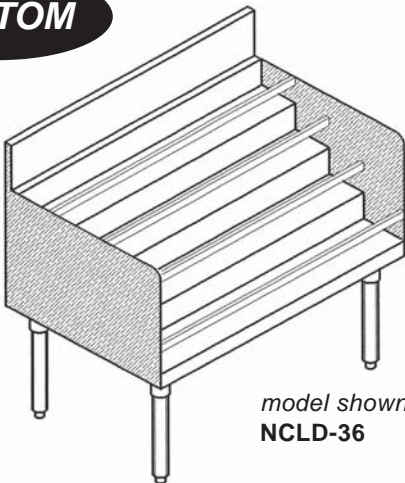
Item # \_\_\_\_\_ Quantity \_\_\_\_\_

## PRO-LINE



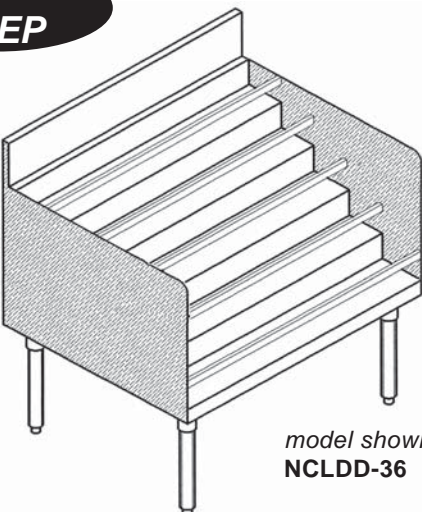
model shown:  
NPLD-36

## CUSTOM



model shown:  
NCLD-36

## EXTRA DEEP



model shown:  
NCLDD-36

### PRO-LINE SERIES 20" DEEP

model # (3-tier, for different sizes call)	length
<input type="checkbox"/> NPLD-12	12"
<input type="checkbox"/> NPLD-18	18"
<input type="checkbox"/> NPLD-24	24"
<input type="checkbox"/> NPLD-30	30"
<input type="checkbox"/> NPLD-36	36"
<input type="checkbox"/> NPLD-48	48"

### CUSTOM SERIES 24" DEEP

model # (4-tier, for different sizes call)	length
<input type="checkbox"/> NCLD-12	12"
<input type="checkbox"/> NCLD-18	18"
<input type="checkbox"/> NCLD-24	24"
<input type="checkbox"/> NCLD-30	30"
<input type="checkbox"/> NCLD-36	36"
<input type="checkbox"/> NCLD-48	48"

### EXTRA SERIES 28" DEEP

model # (5-tier, for different sizes call)	length
<input type="checkbox"/> NCLDD-12	12"
<input type="checkbox"/> NCLDD-18	18"
<input type="checkbox"/> NCLDD-24	24"
<input type="checkbox"/> NCLDD-30	30"
<input type="checkbox"/> NCLDD-36	36"
<input type="checkbox"/> NCLDD-48	48"

### STANDARD FEATURES

- 18 gauge 304 stainless
- Heavy duty stainless gussets, legs, adj. feet & support channels
- Stainless guard rails
- Step up display
- 6" High back splash

### OPTIONAL FEATURES

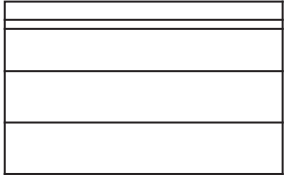
model #	description
<input type="checkbox"/> BS	bottom shelf
<input type="checkbox"/> LC	rem. locking cover **
<input type="checkbox"/> LCT	rem. locking top & cover
<input type="checkbox"/> M	modified size
<input type="checkbox"/> CB	cabinet based
<input type="checkbox"/> APR (removable)	hinged apron frnt pnl
<input type="checkbox"/> DR (used w/ -CB)	door
<input type="checkbox"/> SP (4", 8", 10", 12")	high splash
<input type="checkbox"/> BC	chase

\*see options section for more details

\*\* for integral top

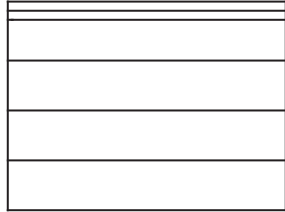
## PRO-LINE

model shown:  
NPLD-\*X



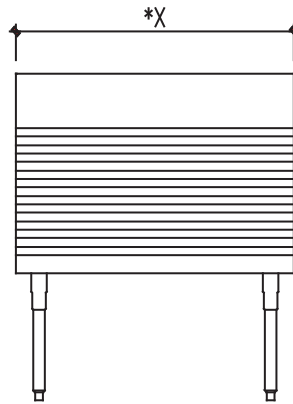
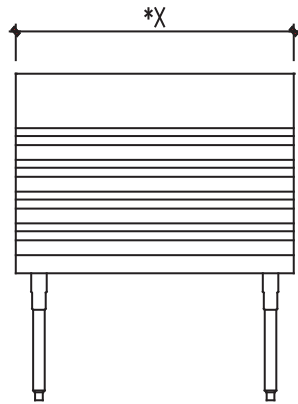
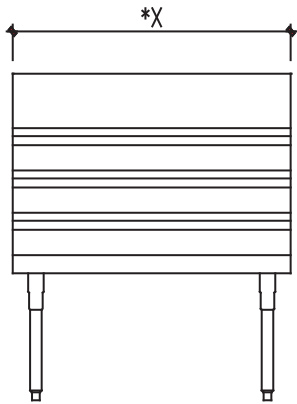
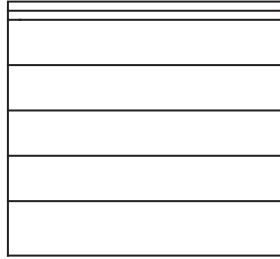
## CUSTOM

model shown:  
NCLD-\*X



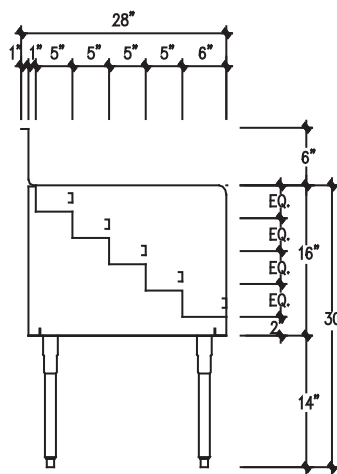
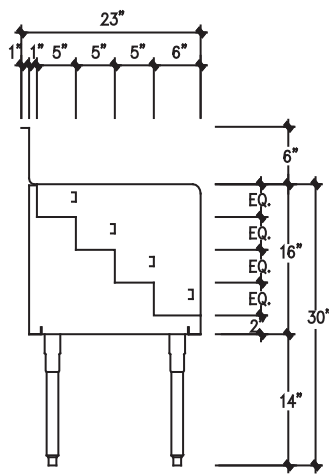
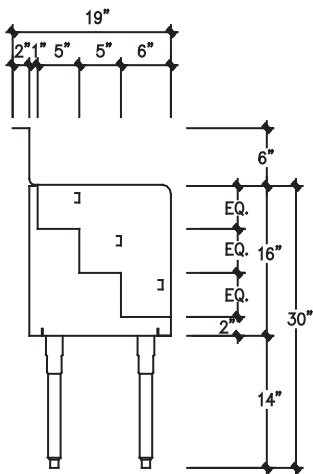
## EXTRA DEEP

model shown:  
NCLDD-\*X



### TECHNICAL DATA

model #	length *x	shipping weight (lbs.)
NPLD-12	12"	45
NPLD-18	18"	55
NPLD-24	24"	65
NPLD-30	30"	75
NPLD-36	36"	85
NPLD-48	48"	95
NCLD-12	12"	50
NCLD-18	18"	60
NCLD-24	24"	70
NCLD-30	30"	80
NCLD-36	36"	90
NCLD-48	48"	100
NCLDD-12	12"	55
NCLDD-18	18"	65
NCLDD-24	24"	75
NCLDD-30	30"	85
NCLDD-36	36"	95
NCLDD-48	48"	105



### SECTION (PRO-LINE)

### SECTION (CUSTOM)

### SECTION (EXTRA DEEP)