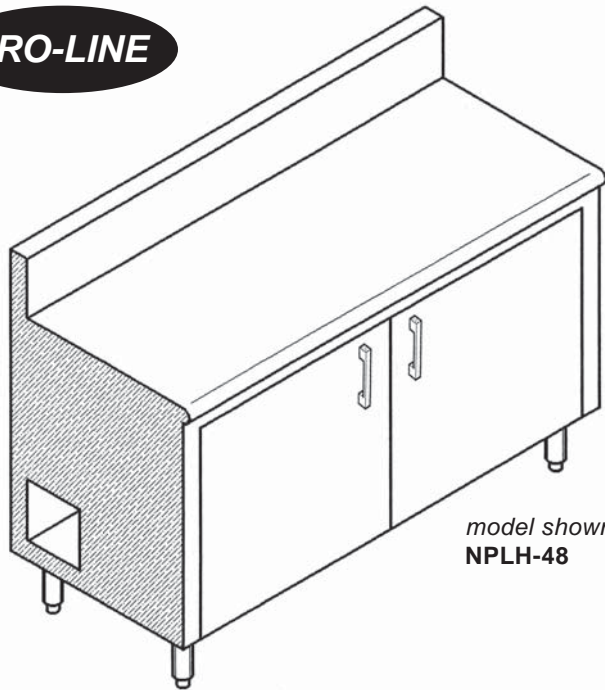


Project \_\_\_\_\_

Dealer \_\_\_\_\_

Item # \_\_\_\_\_ Quantity \_\_\_\_\_

## PRO-LINE



model shown:  
NPLH-48

### PRO-LINE SERIES 20" DEEP

model # (for different sizes call)	length
<input type="checkbox"/> NPLH-24	24"
<input type="checkbox"/> NPLH-36	36"
<input type="checkbox"/> NPLH-48	48"

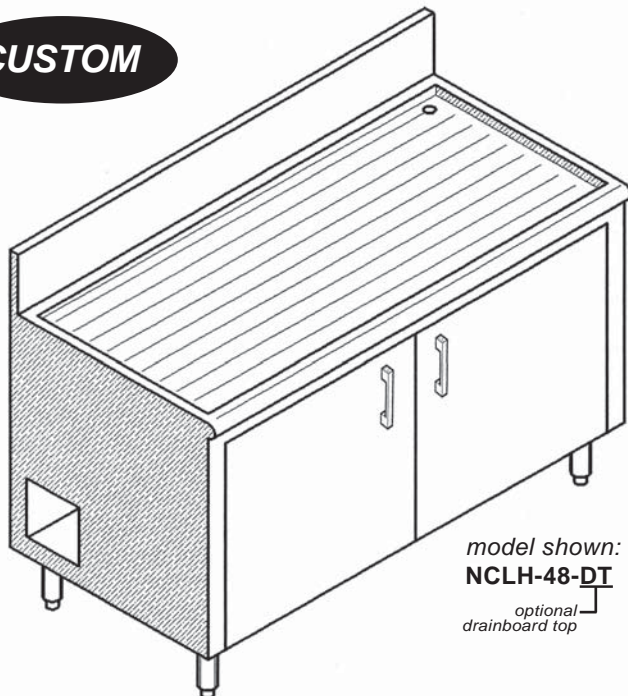
### CUSTOM SERIES 24" DEEP

model # (for different sizes call)	length
<input type="checkbox"/> NCLH-24	24"
<input type="checkbox"/> NCLH-36	36"
<input type="checkbox"/> NCLH-48	48"

### STANDARD FEATURES

- 18 gauge #304 stainless
- Heavy duty stainless gussets, legs, adj. feet & support channels
- Bullnose front design
- Seamless tops and drainboards
- Sound insulation undercoating
- Heavy duty hardware
- Marine plywood interior
- Rear access chase
- Locking doors
- 6" High back splash
- All stainless steel construction

## CUSTOM



model shown:  
NCLH-48-DT  
optional  
drainboard top

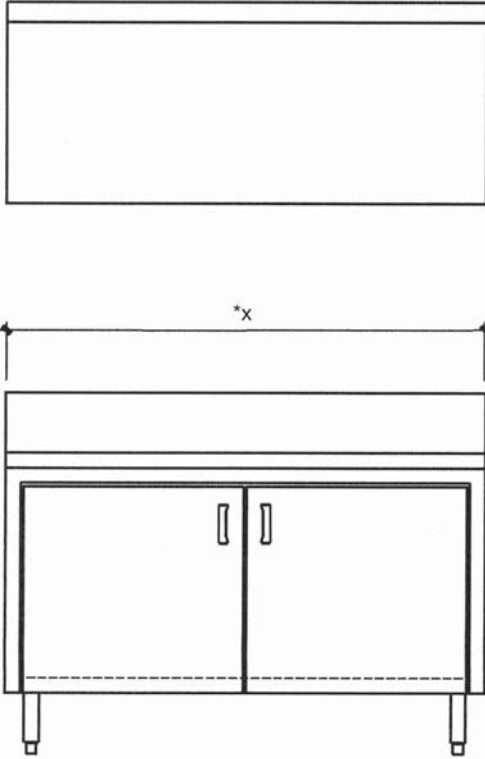
### OPTIONAL FEATURES

model #	description
<input type="checkbox"/> MS	mid shelf
<input type="checkbox"/> AMS	adj. mid shelf
<input type="checkbox"/> APR (removable)	hinged apron frnt pnl
<input type="checkbox"/> DT (1" drain connection)	drainboard top
<input type="checkbox"/> CU	4" high s/s curb
<input type="checkbox"/> M	modified size
<input type="checkbox"/> BC	beer chase
<input type="checkbox"/> SN	soda notch
<input type="checkbox"/> SP (4", 8", 10", 12")	high splash
<input type="checkbox"/> SSF (L-left, R-right, B-both)	side splash add on

\*see options section for more details

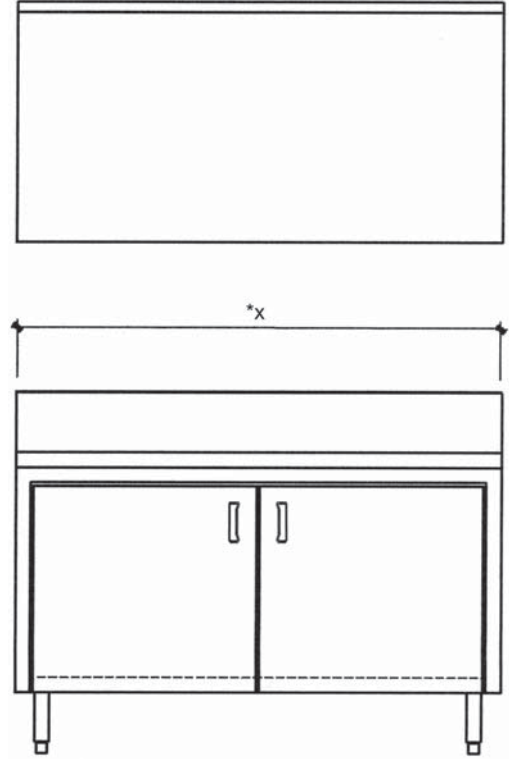
## PRO-LINE

model shown:  
NPLH-\*X



## CUSTOM

model shown:  
NCLH-\*X



### TECHNICAL DATA

model #	length *x	shipping weight (lbs.)
NPLH-24	24"	90
NPLH-36	36"	105
NPLH-48	48"	130
NCLH-24	24"	95
NCLH-36	36"	110
NCLH-48	48"	135

### SECTION (PRO-LINE)

### SECTION (CUSTOM)

**NATIONAL BAR SYSTEMS**

Phone: (714) 848-1688

16571 Burke Lane Huntington Beach, CA 92647

Fax: (714) 848-2788

Website: [www.nbsmfg.com](http://www.nbsmfg.com)