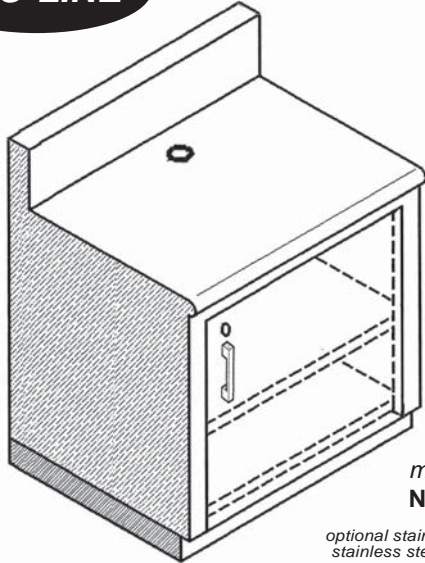


Project _____

Dealer _____

Item # _____ Quantity _____

PRO-LINE



model shown:
NPCB-P-24-CU-DR-DL

optional stainless steel curb & stainless steel doors w/ locks

PRO-LINE SERIES 20" DEEP

model # (for different sizes call)	length
<input type="checkbox"/> NPCB-P-18.....	18"
<input type="checkbox"/> NPCB-P-24.....	24"

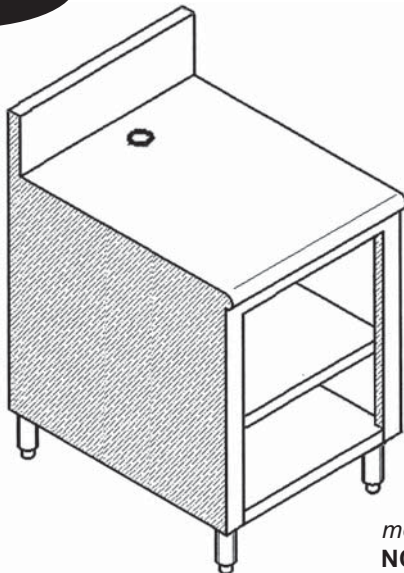
CUSTOM SERIES 24" DEEP

model # (for different sizes call)	length
<input type="checkbox"/> NCCB-P-18.....	18"
<input type="checkbox"/> NCCB-P-24.....	24"

STANDARD FEATURES

- 18 gauge #304 stainless
- Heavy duty stainless gussets, legs, adj. feet & support channels
- Bullnose front design
- Seamless tops and drainboards
- Sound insulation undercoating
- Heavy duty hardwares
- 6" High back splash
- All stainless steel construction
- 2" diameter grommeted access hole

CUSTOM



model shown:
NCCB-P-18-MS

optional midshelf

OPTIONAL FEATURES

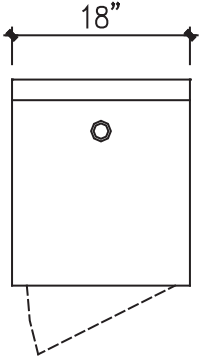
model #	description
<input type="checkbox"/> DR.....	door
<input type="checkbox"/> DL.....	door lock
<input type="checkbox"/> MS.....	mid shelf
<input type="checkbox"/> AMS.....	adj. mid shelf
<input type="checkbox"/> CU.....	6" high s/s curb
<input type="checkbox"/> M.....	modified size
<input type="checkbox"/> SP__(4", 8", 10", 12").....	high splash
<input type="checkbox"/> SSF__(L-left, R-right, B-both)..	side splash add on

*see options section for more details

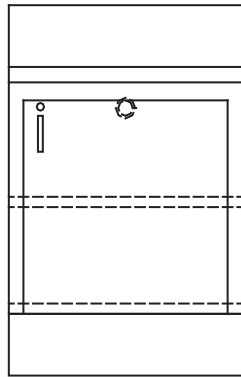
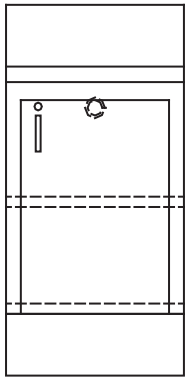
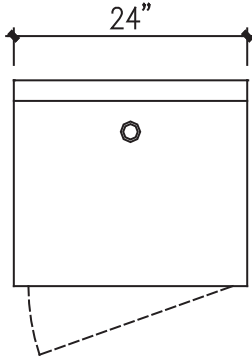


PRO-LINE

model shown:
NPCB-P-18-DR-CU

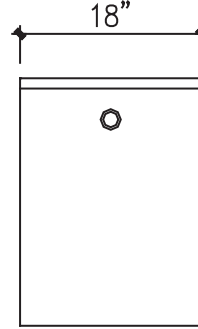


model shown:
NPCB-P-24-DR-CU

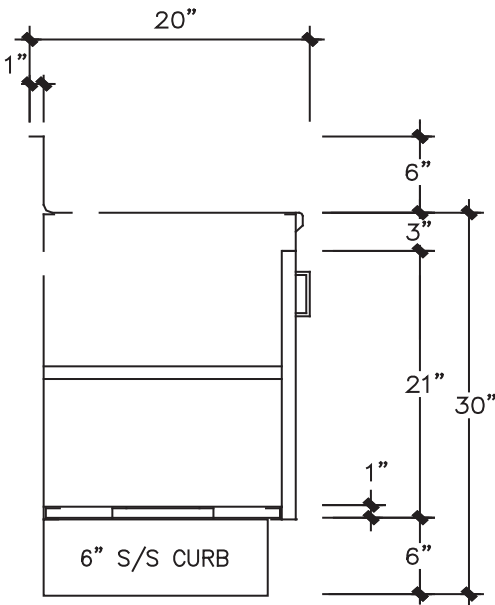
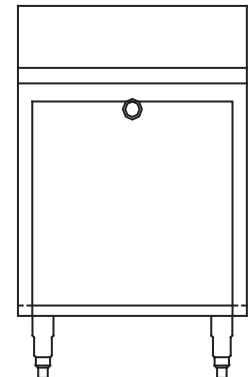
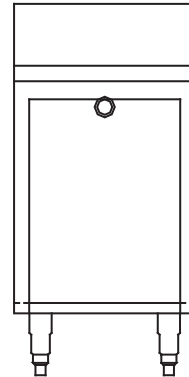
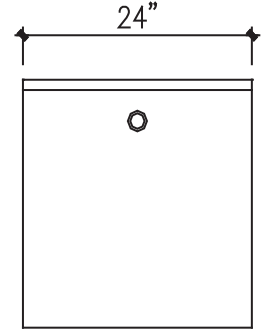


CUSTOM

model shown:
NCCB-P-18

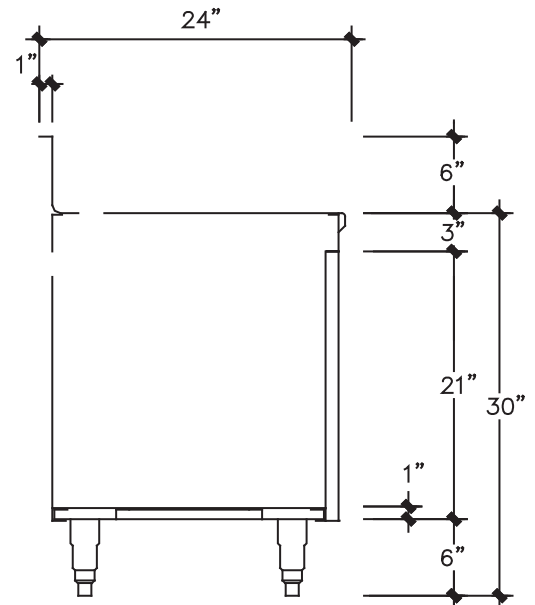


model shown:
NCCB-P-24



TECHNICAL DATA

model #	length *x	shipping weight (lbs.)
NPCB-P-18	18"	75
NPCB-P-24	24"	80
NCCB-P-18	18"	80
NCCB-P-24	24"	85



SECTION (PRO-LINE)

SECTION (CUSTOM)