

Project _____

Dealer _____

Item # _____ Quantity _____



model shown:
NCWW-D-18



model shown:
NCWW-T-18

CUSTOM SERIES 24" DEEP

model # (for different sizes call) _____ length
(dump sink w/ drainboard)

- NCWW-D-18.....18"
- NCWW-D-24.....24"

(dump sink w/ s/s round trash chute)

- NCWW-T-18.....18"

STANDARD FEATURES

- 18 gauge #304 stainless
- Bullnose front design
- Seamless top
- Removeable Cover
- 6" High back splash
- Cabinet base construction
- Stainless steel dump basket (for ncww-t models)
- Stainless steel round trash chute (for ncww-t models)
- Double pan tainless steel door (for ncww-t models)
- Low lead certified faucet

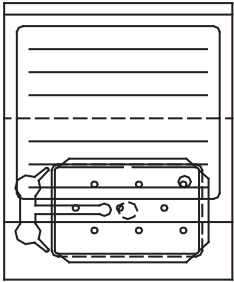
OPTIONAL FEATURES

- | model # | description |
|--|-----------------------------|
| <input type="checkbox"/> CF (low lead certified)..... | Chicago faucet upg. |
| <input type="checkbox"/> SF (low lead certified)..... | stainless steel faucet upg. |
| <input type="checkbox"/> DR..... | s/s door for cab. base |
| <input type="checkbox"/> M..... | modified size |
| <input type="checkbox"/> SP__ (4", 8", 10", 12")..... | high splash upg. |
| <input type="checkbox"/> AS (instead of galv. lower back)..... | all stainless st. upg. |
| <input type="checkbox"/> SSF__(L-left, R-right, B-both)..... | side splash add on |

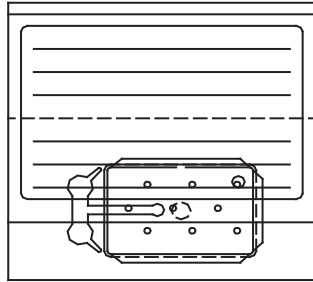
*see options section for more details



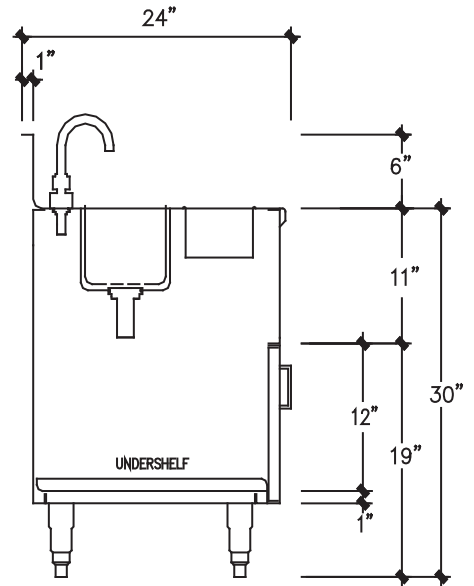
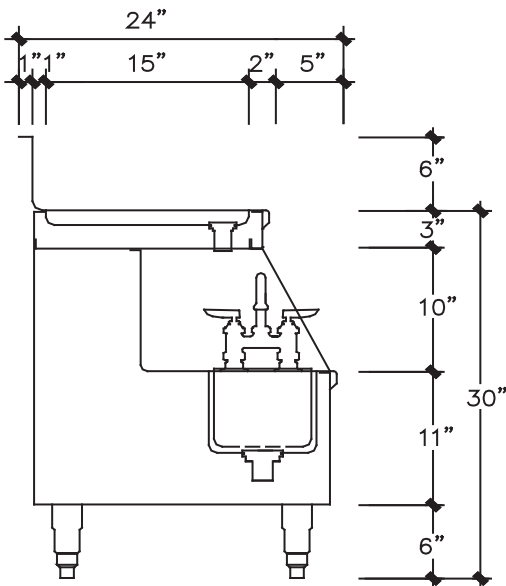
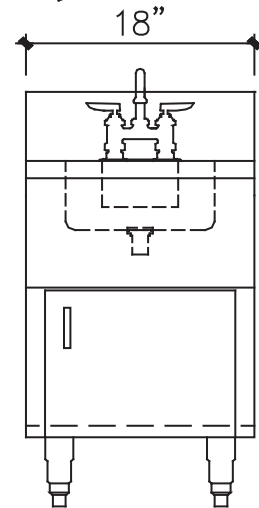
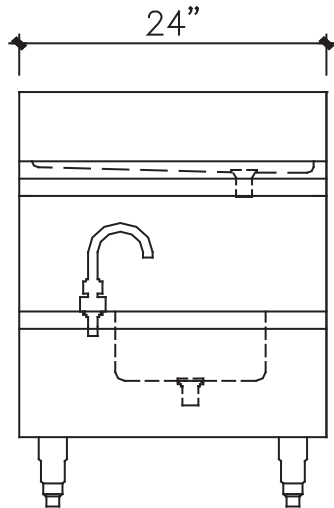
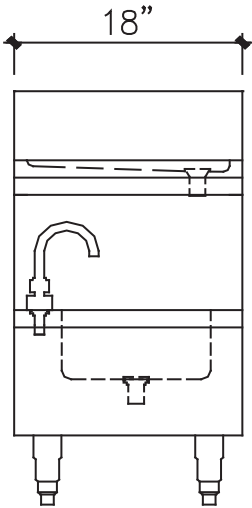
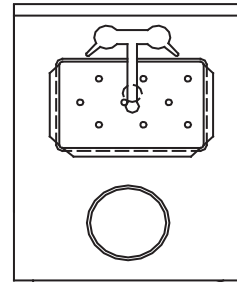
model shown:
NCWW-D-18



model shown:
NCWW-D-24



model shown:
NCWW-T-18



TECHNICAL DATA		
model #	length	shipping weight (lbs.)
NCWW-D-18	18"	75
NCWW-D-24	24"	85
NCWW-T-18	18"	65

SECTION (NCWW-D)

SECTION (NCWW-T)