

**CUSTOM**

Project \_\_\_\_\_

Dealer \_\_\_\_\_

Item # \_\_\_\_\_ Quantity \_\_\_\_\_



model shown:  
**NCOS-18**

### CUSTOM SERIES 24" DEEP

model # (for different sizes call) \_\_\_\_\_ length \_\_\_\_\_

- NCOS-18**.....18"
- NCOS-24**.....24"

### STANDARD FEATURES

- 18 gauge #304 stainless
- Bullnose front design
- Seamless top
- Sound insulation undercoating
- 6" High back splash
- 1" Brass drain
- 2" Dia. hole w/ grommet on bck splsh for elec.

### OPTIONAL FEATURES

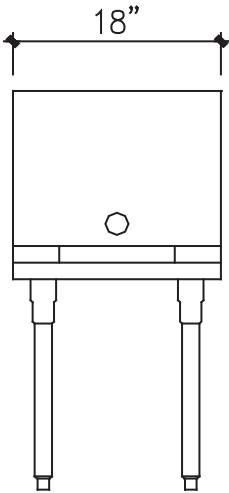
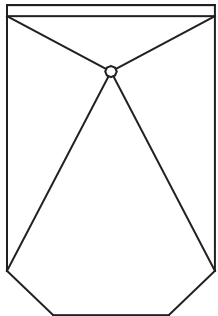
- | model #   | description            |
|---|------------------------|
| <input type="checkbox"/> <b>CB</b> .....                              | cabinet base           |
| <input type="checkbox"/> <b>DR</b> .....                              | s/s door for cab. base |
| <input type="checkbox"/> <b>APR</b> (removable).....                  | hinged apron frnt pnl  |
| <input type="checkbox"/> <b>M</b> .....                               | modified size          |
| <input type="checkbox"/> <b>SP</b> __ (4", 8", 10", 12").....         | high splash upg.       |
| <input type="checkbox"/> <b>AS</b> (instead of galv. lower back)..... | all stainless st. upg. |
| <input type="checkbox"/> <b>SS</b> __(L-left, R-right, B-both).....   | side splash add on     |

\*see options section for more details

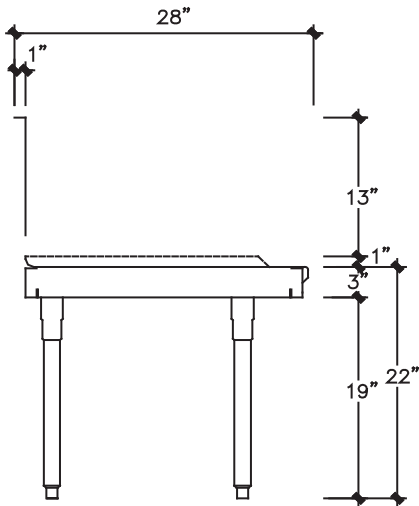
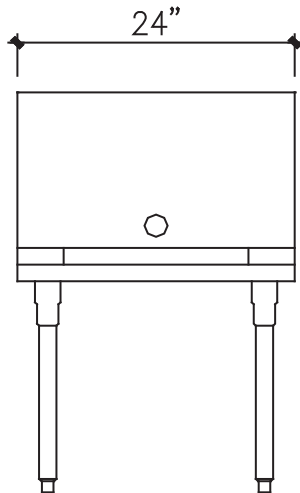
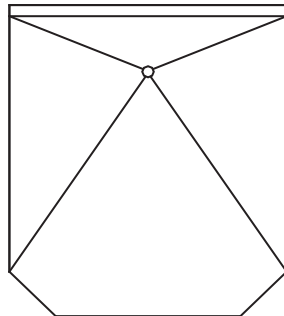


**CUSTOM**

model shown:  
**NCOS-18**



model shown:  
**NCOS-24**



**TECHNICAL DATA**

model #	length	shipping weight (lbs.)
<b>NCOS-18</b>	18"	35
<b>NCOS-24</b>	24"	45

**SECTION (CUSTOM)**