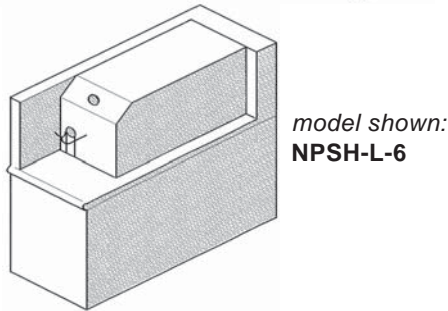
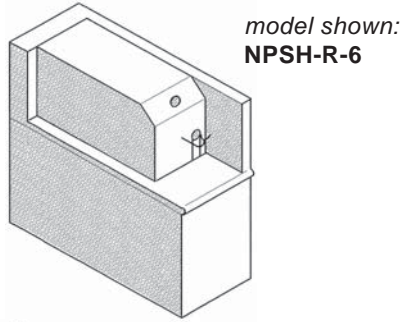
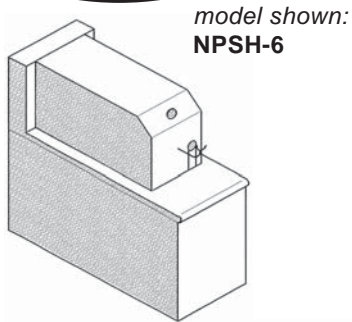


Project _____

Dealer _____

Item # _____ Quantity _____

PROLINE



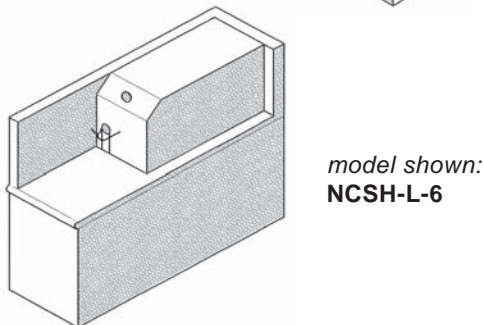
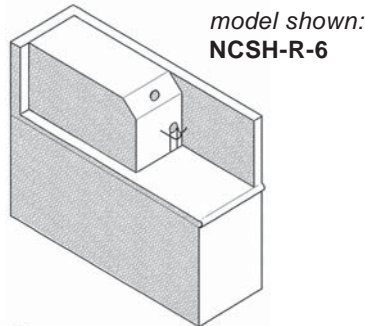
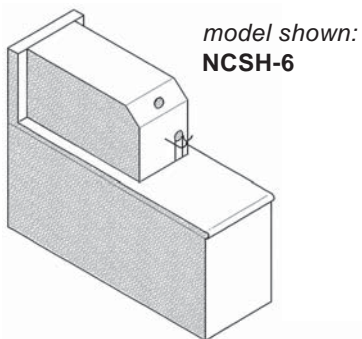
PRO-LINE SERIES 20" DEEP

model # (for different sizes call)	length
<input type="checkbox"/> NPSH-6.....	6"
<input type="checkbox"/> NPSH-L-6.....	6"
<input type="checkbox"/> NPSH-R-6.....	6"
<input type="checkbox"/> NPSH-4.....	4"
<input type="checkbox"/> NPSH-L-4.....	4"
<input type="checkbox"/> NPSH-R-4.....	4"

CUSTOM SERIES 24" DEEP

model # (for different sizes call)	length
<input type="checkbox"/> NCSH-6.....	6"
<input type="checkbox"/> NCSH-L-6.....	6"
<input type="checkbox"/> NCSH-R-6.....	6"
<input type="checkbox"/> NCSH-4.....	4"
<input type="checkbox"/> NCSH-L-4.....	4"
<input type="checkbox"/> NCSH-R-4.....	4"

CUSTOM



STANDARD FEATURES

- All 18 gauge #304 stainless steel construction
- Bullnose front design
- Seamless top
- Removable cover for access to soda gun control panel
- 6" High back splash
- Built in soda gun cradle w/ hole for dip cup

OPTIONAL FEATURES

model #	description
<input type="checkbox"/> CB	cabinet base
<input type="checkbox"/> DR	s/s door for cab. base
<input type="checkbox"/> APR (removable).....	hinged apron frnt pnl
<input type="checkbox"/> M	modified size
<input type="checkbox"/> SP __ (4", 8", 10", 12").....	high splash upg.
<input type="checkbox"/> AS (instead of galv. lower back)..	all stainless st. upg.

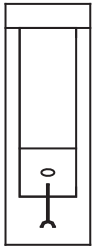
*see options section for more details



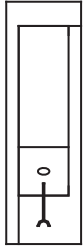
PRO-LINE

CUSTOM

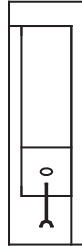
model shown:
NPSH-*X



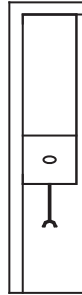
model shown:
NPSH-L-*X



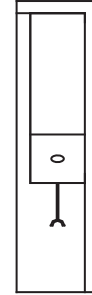
model shown:
NPSH-R-*X



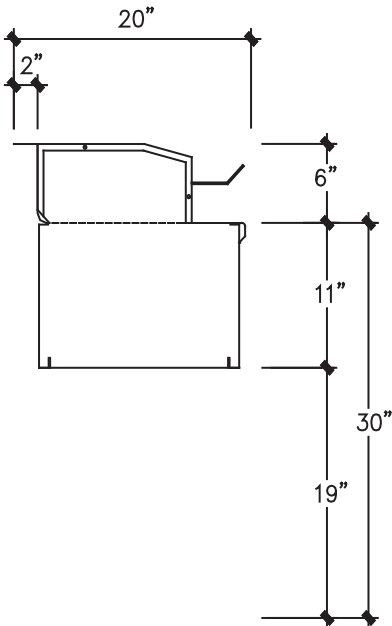
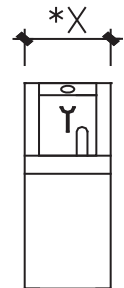
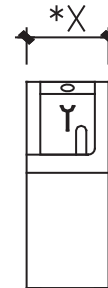
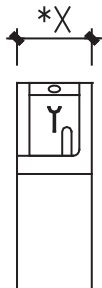
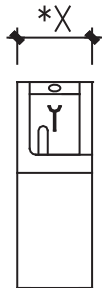
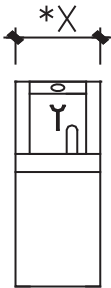
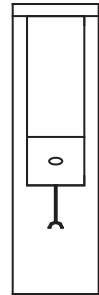
model shown:
NCSH-L-*X



model shown:
NCSH-R-*X

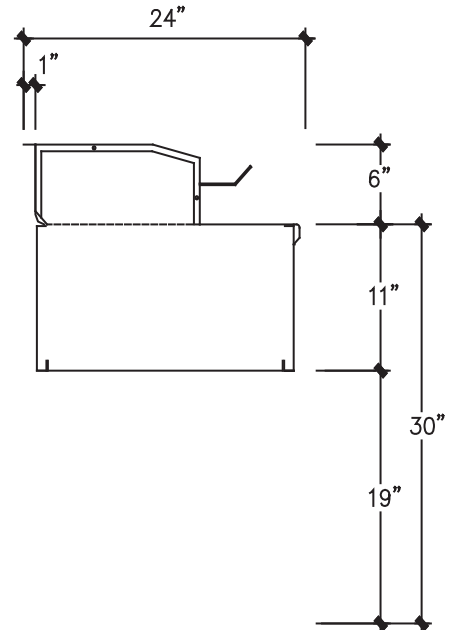


model shown:
NCSH-*X



TECHNICAL DATA

model #	length *X	shipping weight (lbs.)
NPSH-6	6"	45
NPSH-L-6	6"	45
NPSH-R-6	6"	45
NPSH-4	4"	35
NPSH-L-4	4"	35
NPSH-R-4	4"	35
NCSH-6	6"	45
NCSH-L-6	6"	45
NCSH-R-6	6"	45
NCSH-4	4"	35
NCSH-L-4	4"	35
NCSH-R-4	4"	35



SECTION (PRO-LINE)

SECTION (CUSTOM)