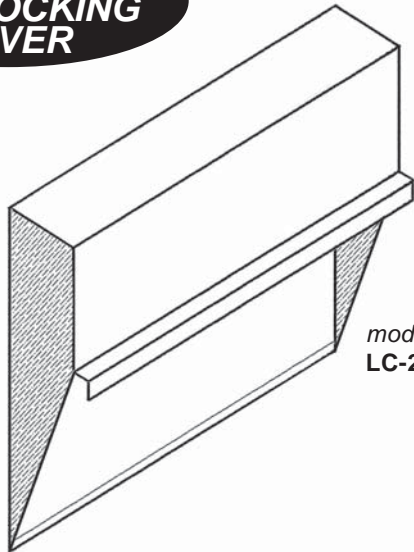


Project _____

Dealer _____

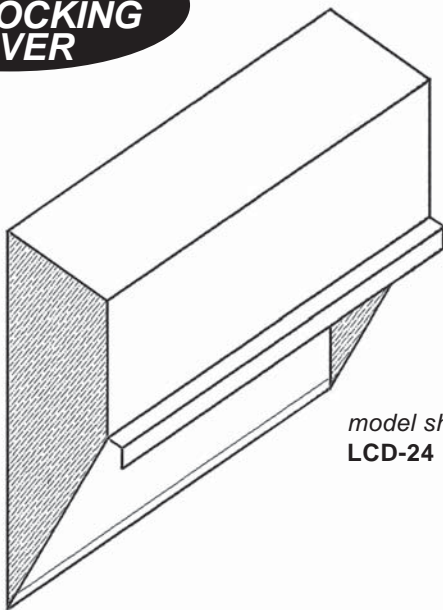
Item # _____ Quantity _____

SINGLE SPEED RAIL LOCKING COVER



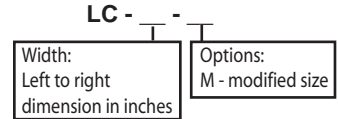
model shown:
LC-24

DOUBLE SPEED RAIL LOCKING COVER

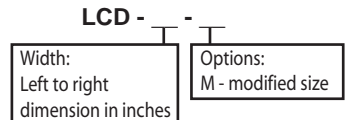


model shown:
LCD-24

SINGLE SPEED RAIL LOCKING COVER



DOUBLE SPEED RAIL LOCKING COVER



MODELS

Single	length
<input type="checkbox"/> LC-12.....	12"
<input type="checkbox"/> LC-18.....	18"
<input type="checkbox"/> LC-24.....	24"
<input type="checkbox"/> LC-30.....	30"
<input type="checkbox"/> LC-36.....	36"
<input type="checkbox"/> LC-42.....	42"
Double	
<input type="checkbox"/> LCD-12.....	12"
<input type="checkbox"/> LCD-18.....	18"
<input type="checkbox"/> LCD-24.....	24"
<input type="checkbox"/> LCD-30.....	30"
<input type="checkbox"/> LCD-36.....	36"
<input type="checkbox"/> LCD-42.....	42"

*call factory for custom size(s)

STANDARD FEATURES

- All Heli-arc welded construction
- All 18 gauge type 304, 18/8 stainless steel
- Removable for easy cleaning
- Hasp permanently welded to cover (padlock not included)
- Mating hasp must be permanently attached to speed rail in the factory

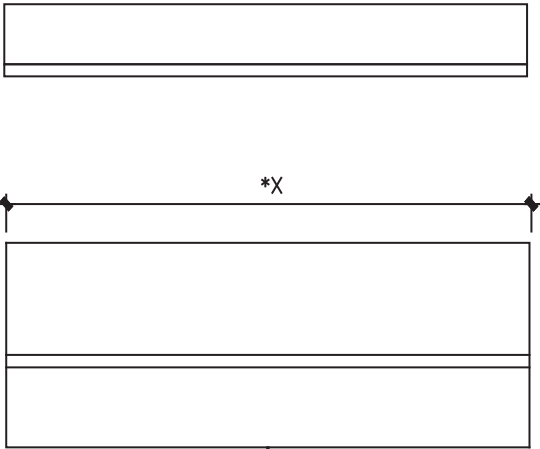
OPTIONAL FEATURES

model #	description
<input type="checkbox"/> M.....	modified size

*see options section for more details

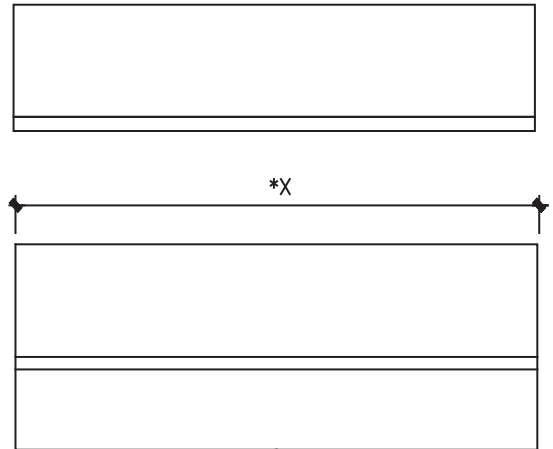


SINGLE SPEED RAIL LOCKING COVER



model shown:
LC-*X

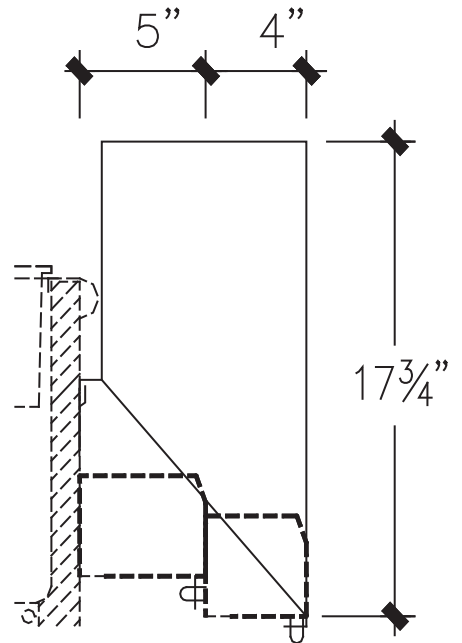
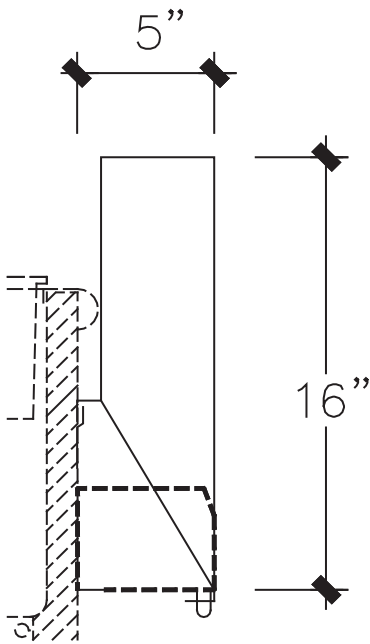
DOUBLE SPEED RAIL LOCKING COVER



model shown:
LCD-*X

TECHNICAL DATA

model #	length *X	shipping weight (lbs.)
<i>Single</i>		
LC-12	12"	16
LC-18	18"	20
LC-24	24"	24
LC-30	30"	28
LC-36	36"	32
LC-42	42"	36
LC-48	48"	40
LC-54	54"	44
LC-60	60"	48
LC-66	66"	52
LC-72	72"	56
<i>Double</i>		
LCD-12	12"	24
LCD-18	18"	28
LCD-24	24"	32
LCD-30	30"	36
LCD-36	36"	40
LCD-42	42"	44
LCD-48	48"	48
LCD-54	54"	52
LCD-60	60"	56
LCD-66	66"	60
LCD-72	72"	64



SECTION (SINGLE)

SECTION (DOUBLE)