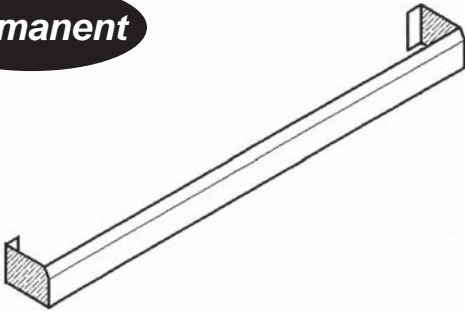


Project \_\_\_\_\_

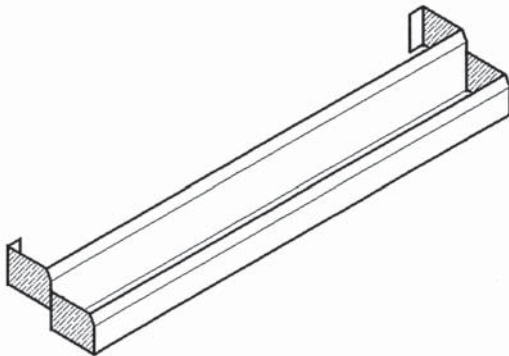
Dealer \_\_\_\_\_

Item # \_\_\_\_\_ Quantity \_\_\_\_\_

## Permanent

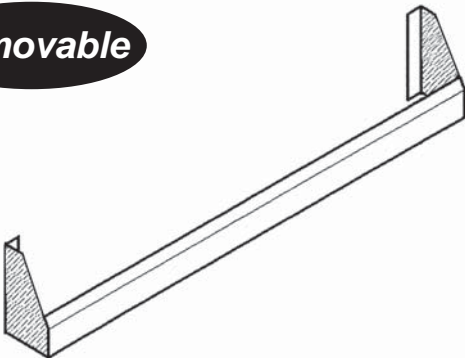


model shown:  
**SR-48**

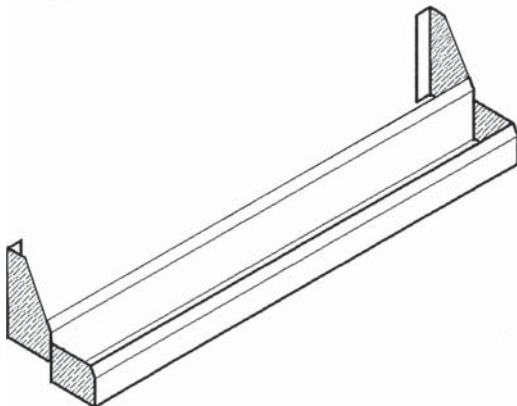


model shown:  
**DSR-48**

## Removable



model shown:  
**SSR-48**



model shown:  
**DSSR-48**

### PERMANENT SERIES

model #	length	model #	length
<input type="checkbox"/> SR-12.....	12"	<input type="checkbox"/> DSR-12.....	12"
<input type="checkbox"/> SR-18.....	18"	<input type="checkbox"/> DSR-18.....	18"
<input type="checkbox"/> SR-24.....	24"	<input type="checkbox"/> DSR-24.....	24"
<input type="checkbox"/> SR-30.....	30"	<input type="checkbox"/> DSR-30.....	30"
<input type="checkbox"/> SR-36.....	36"	<input type="checkbox"/> DSR-36.....	36"
<input type="checkbox"/> SR-42.....	42"	<input type="checkbox"/> DSR-42.....	42"
<input type="checkbox"/> SR-48.....	48"	<input type="checkbox"/> DSR-48.....	48"
<input type="checkbox"/> SR-54.....	54"	<input type="checkbox"/> DSR-54.....	54"
<input type="checkbox"/> SR-60.....	60"	<input type="checkbox"/> DSR-60.....	60"
<input type="checkbox"/> SR-66.....	66"	<input type="checkbox"/> DSR-66.....	66"
<input type="checkbox"/> SR-72.....	72"	<input type="checkbox"/> DSR-72.....	72"

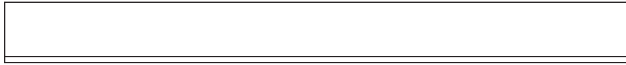
### REMOVABLE SERIES

model #	length	model #	length
<input type="checkbox"/> SRR-12.....	12"	<input type="checkbox"/> DSRR-12.....	12"
<input type="checkbox"/> SRR-18.....	18"	<input type="checkbox"/> DSRR-18.....	18"
<input type="checkbox"/> SRR-24.....	24"	<input type="checkbox"/> DSRR-24.....	24"
<input type="checkbox"/> SRR-30.....	30"	<input type="checkbox"/> DSRR-30.....	30"
<input type="checkbox"/> SRR-36.....	36"	<input type="checkbox"/> DSRR-36.....	36"
<input type="checkbox"/> SRR-42.....	42"	<input type="checkbox"/> DSRR-42.....	42"
<input type="checkbox"/> SRR-48.....	48"	<input type="checkbox"/> DSRR-48.....	48"
<input type="checkbox"/> SRR-54.....	54"	<input type="checkbox"/> DSRR-54.....	54"
<input type="checkbox"/> SRR-60.....	60"	<input type="checkbox"/> DSRR-60.....	60"
<input type="checkbox"/> SRR-66.....	66"	<input type="checkbox"/> DSRR-66.....	66"
<input type="checkbox"/> SRR-72.....	72"	<input type="checkbox"/> DSRR-72.....	72"

### STANDARD FEATURES

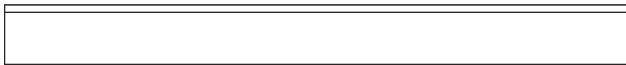
- 18 gauge #304 stainless
- Second speed rail is removable
- Optional: lock covers for speedrails

## SINGLE



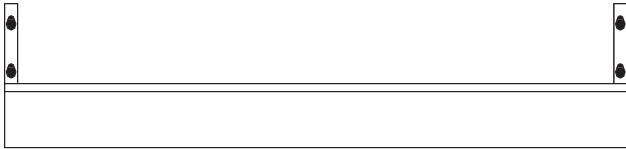
model shown:  
**SR-48**

\*specify dimensions when ordering



model shown:  
**SRR-48**

\*specify dimensions when ordering



## DOUBLE



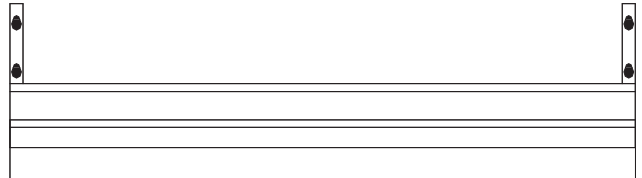
model shown:  
**DSR-48**

\*specify dimensions when ordering



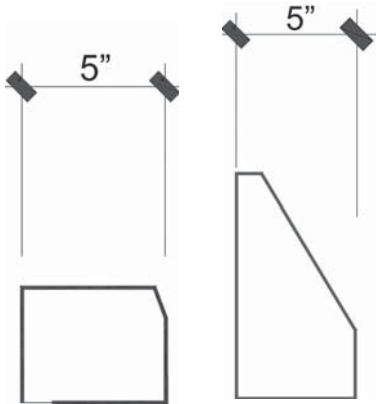
model shown:  
**DSRR-48**

\*specify dimensions when ordering

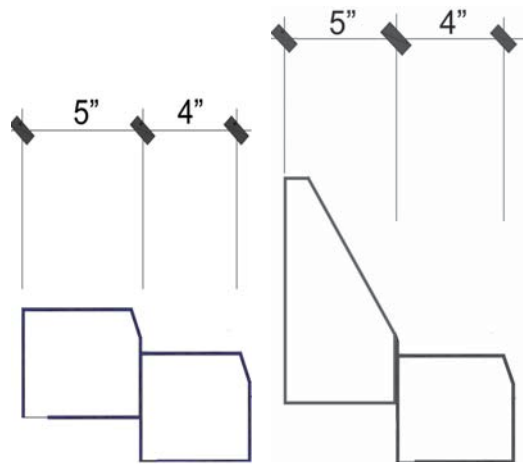


### TECHNICAL DATA

model #	length *x	shipping weight (lbs.)
SR-12	12"	8
SR-18	18"	10
SR-24	24"	14
SR-30	30"	16
SR-36	36"	18
SR-42	42"	20
SR-48	48"	22
SR-54	54"	24
SR-60	60"	26
SR-66	66"	28
SR-72	72"	30
DSR-12	12"	16
DSR-18	18"	20
DSR-24	24"	28
DSR-30	30"	32
DSR-36	36"	36
DSR-42	42"	40
DSR-48	48"	44
DSR-54	54"	48
DSR-60	60"	52
DSR-66	66"	56
DSR-72	72"	60



**SECTION (SINGLE)**



**SECTION (DOUBLE)**