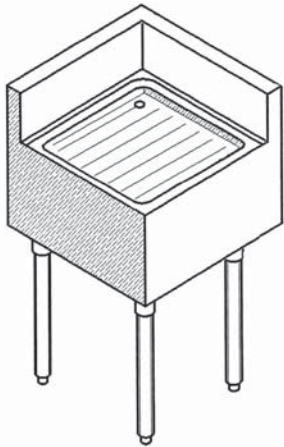


Project \_\_\_\_\_

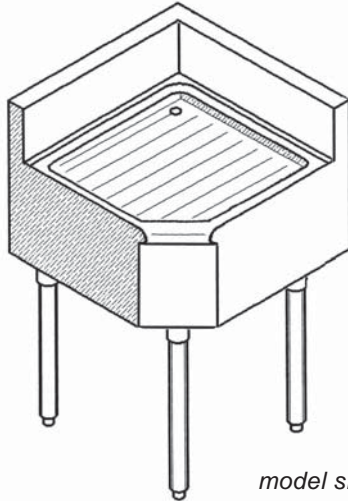
Dealer \_\_\_\_\_

Item # \_\_\_\_\_ Quantity \_\_\_\_\_

## PRO-LINE



model shown:  
NPDBC-20



model shown:  
NPDBC-26

### PRO-LINE SERIES (19" DEEP)

model # (for different sizes call)	length
<input type="checkbox"/> NPDBC-20.....	19"
<input type="checkbox"/> NPDBC-26.....	26"

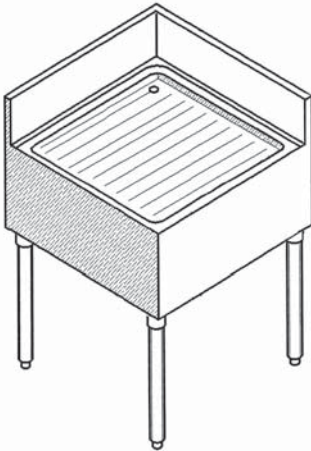
### CUSTOM SERIES (23" DEEP)

model # (for different sizes call)	length
<input type="checkbox"/> NCDBC-24.....	23"
<input type="checkbox"/> NCDBC-30.....	30"

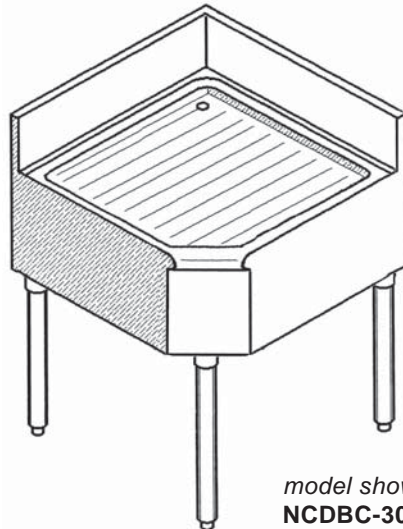
### STANDARD FEATURES

- 18 gauge #304 stainless
- Heavy duty stainless gussets, legs, adj. feet & support channels
- Sound insulation undercoating
- Pitched corrugated drainboard
- 1" drain connection
- 6" High back side splash

## CUSTOM



model shown:  
NCDBC-24



model shown:  
NCDBC-30

### OPTIONAL FEATURES

model #	description
<input type="checkbox"/> BS.....	bottom shelf
<input type="checkbox"/> CB.....	cabinet base
<input type="checkbox"/> APR (removable).....	hinged apron frnt pnl
<input type="checkbox"/> DR (used w/-CB).....	door
<input type="checkbox"/> TC.....	trash chute
<input type="checkbox"/> TN.....	trash notch
<input type="checkbox"/> BO.....	bottle opener
<input type="checkbox"/> CC.....	catch can
<input type="checkbox"/> TB.....	towel bar
<input type="checkbox"/> M.....	modified sizes
<input type="checkbox"/> BC.....	beer chase
<input type="checkbox"/> SN.....	soda notch
<input type="checkbox"/> SP__(4", 8", 10", 12").....	high splash
<input type="checkbox"/> SSF__(L-left, R-right, B-both)....	side splash add on
<input type="checkbox"/> DUP.....	duplex
<input type="checkbox"/> QUP.....	quad-plex
<input type="checkbox"/> AS (instead of galv. back).....	all stainless stl. upg.

\*see options section for more details

### SPECIFICATIONS

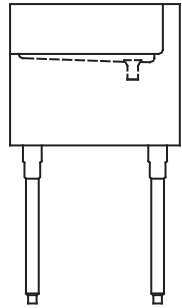
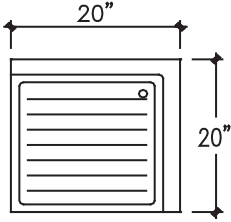
#### PLUMBING:

- 1" drain connections

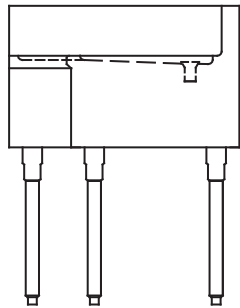
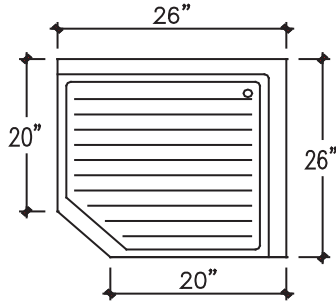


## PRO-LINE

model shown:  
NPDBC-20

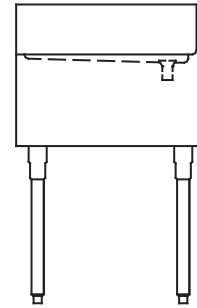
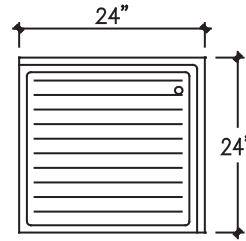


model shown:  
NPDBC-26

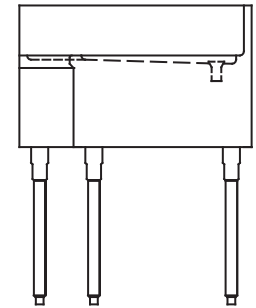
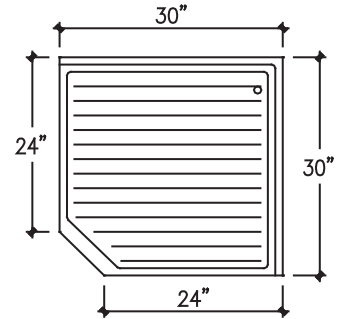


## CUSTOM

model shown:  
NCDBC-24

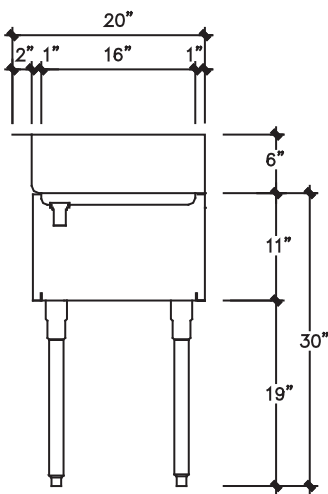


model shown:  
NCDBC-30

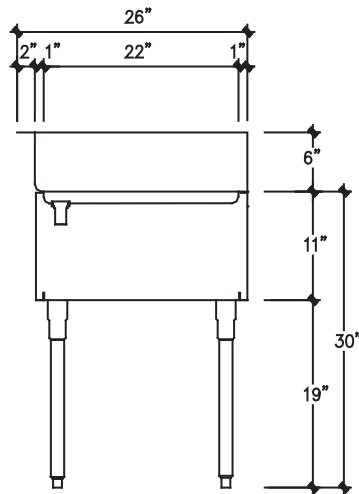


### TECHNICAL DATA

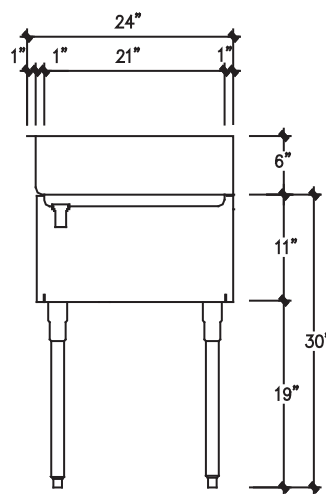
model #	length	shipping weight (lbs.)
NPDBC-20	20"	50
NPDBC-26	26"	60
NCDBC-24	24"	55
NCDBC-30	30"	65



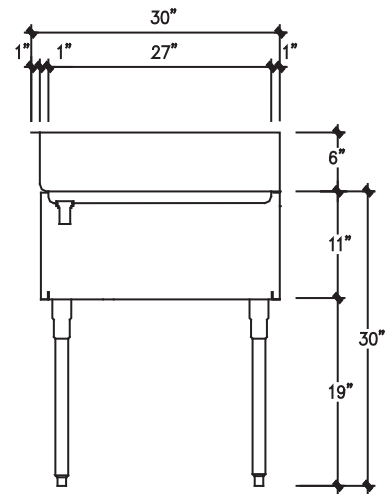
**SECTION (NPDBC-20)**



**SECTION (NPDBC-26)**



**SECTION (NCDBC-24)**



**SECTION (NCDBC-30)**