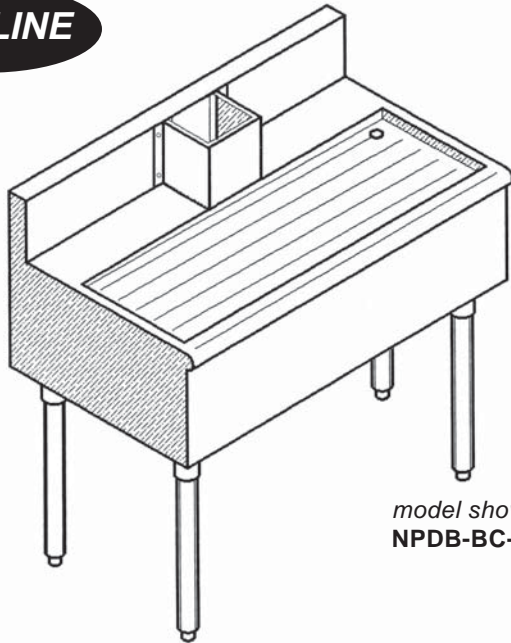


Project \_\_\_\_\_

Dealer \_\_\_\_\_

Item # \_\_\_\_\_ Quantity \_\_\_\_\_

## PRO-LINE



model shown:  
NPDB-BC-36

### PRO-LINE SERIES 20" DEEP

model # (for different sizes call)	length
<input type="checkbox"/> NPDB-BC-12.....	12"
<input type="checkbox"/> NPDB-BC-24.....	24"
<input type="checkbox"/> NPDB-BC-36.....	36"
<input type="checkbox"/> NPDB-BC-48.....	48"

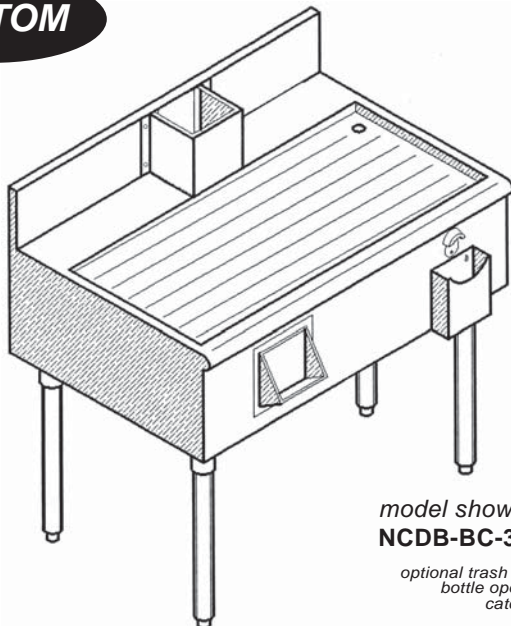
### CUSTOM SERIES 24" DEEP

model # (for different sizes call)	length
<input type="checkbox"/> NCDB-BC-12.....	12"
<input type="checkbox"/> NCDB-BC-24.....	24"
<input type="checkbox"/> NCDB-BC-36.....	36"
<input type="checkbox"/> NCDB-BC-48.....	48"

### STANDARD FEATURES

- 18 gauge #304 stainless
- Heavy duty stainless gussets, legs, adj. feet & support channels
- Bullnose front design
- Sound insulation undercoating
- Pitched corrugated drainboard
- 1" drain connection
- 6" High back splash

## CUSTOM



model shown:  
NCDB-BC-36-TC-BO-CC

optional trash chute,  
bottle opener &  
catch can

### OPTIONAL FEATURES

model #	description
<input type="checkbox"/> BS.....	bottom shelf
<input type="checkbox"/> CB.....	cabinet base
<input type="checkbox"/> APR__(removable).....	hinged apron frnt pnl
<input type="checkbox"/> DR (used w/-CB).....	door
<input type="checkbox"/> TC.....	trash chute
<input type="checkbox"/> TN.....	trash notch
<input type="checkbox"/> BO.....	bottle opener
<input type="checkbox"/> CC.....	catch can
<input type="checkbox"/> TB.....	towel bar
<input type="checkbox"/> M.....	modified sizes
<input type="checkbox"/> BC.....	beer chase
<input type="checkbox"/> SN.....	soda notch
<input type="checkbox"/> SP__(4", 8", 10", 12").....	high splash
<input type="checkbox"/> SSF__(L-left, R-right, B-both)....	side splash add on
<input type="checkbox"/> DUP.....	duplex
<input type="checkbox"/> QUP.....	quad-plex
<input type="checkbox"/> AS (instead of galv. back).....	all stainless stl. upg.

\*see options section for more details

### SPECIFICATIONS

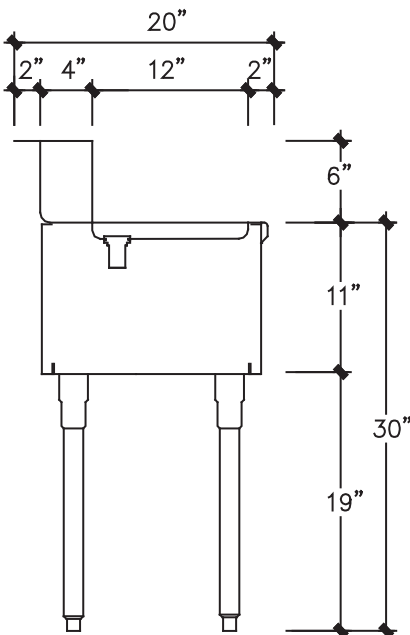
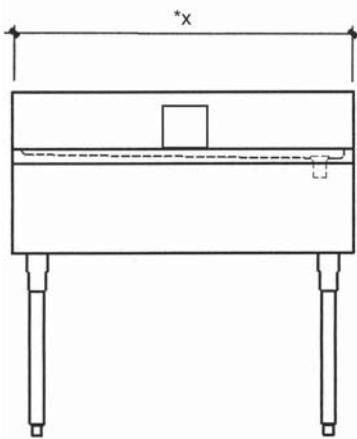
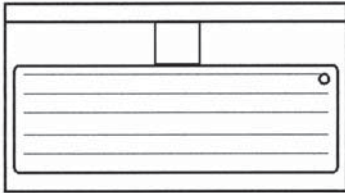
#### PLUMBING:

- 1" drain connections



## PRO-LINE

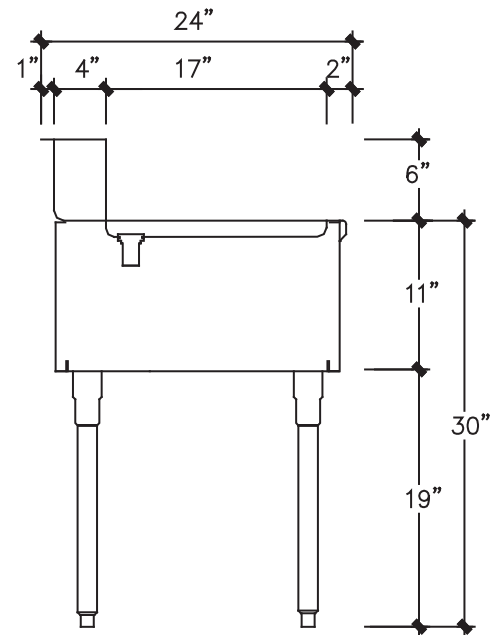
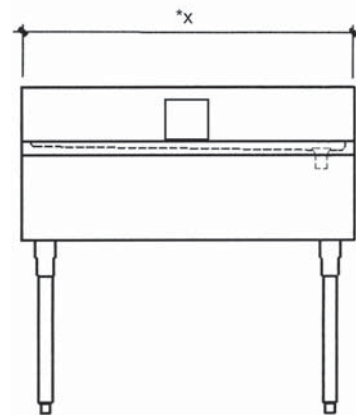
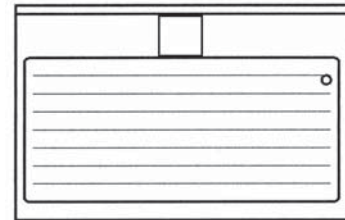
model shown:  
NPDB-BC-\*X



### SECTION (PRO-LINE)

## CUSTOM

model shown:  
NCDB-BC-\*X



### SECTION (CUSTOM)

### TECHNICAL DATA

model #	length *x	shipping weight (lbs.)
NPDB-BC-12	12"	40
NPDB-BC-24	24"	50
NPDB-BC-36	36"	60
NPDB-BC-48	48"	70
NCDB-BC-12	12"	45
NCDB-BC-24	24"	55
NCDB-BC-36	36"	65
NCDB-BC-48	48"	75