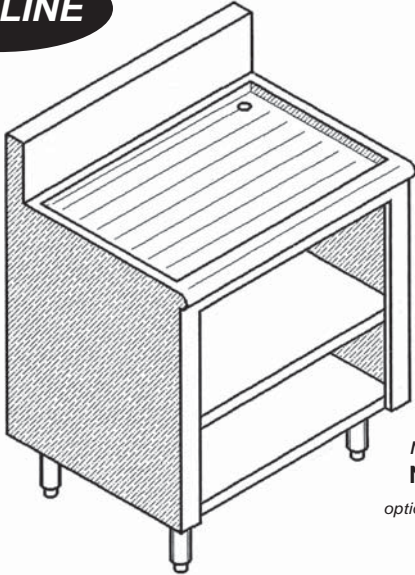


Project _____

Dealer _____

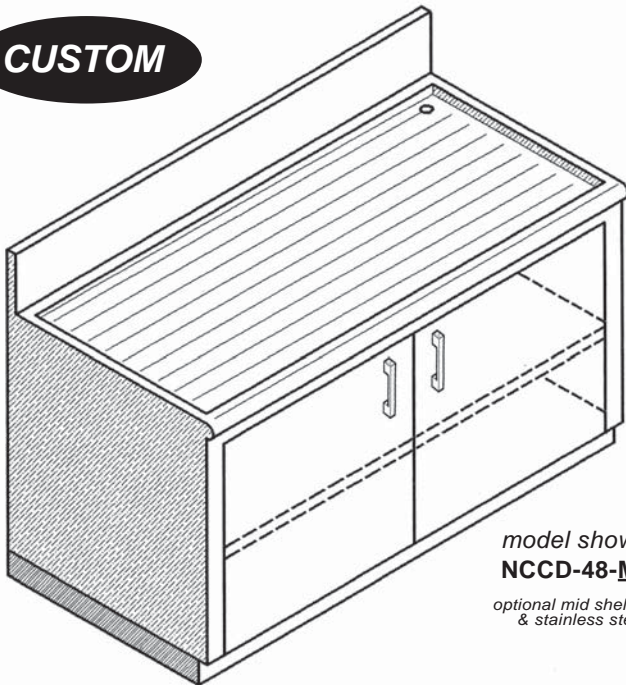
Item # _____ Quantity _____

PRO-LINE



model shown:
NPCD-24-MS
optional mid shelf

CUSTOM



model shown:
NCCD-48-MS-DR-CU
optional mid shelf, doors
& stainless steel curb

SPECIFICATIONS

PLUMBING:

- 1" drain connections

PRO SERIES 20" DEEP

model # (for different sizes call)	length
<input type="checkbox"/> NPCD-18.....	18"
<input type="checkbox"/> NPCD-24.....	24"
<input type="checkbox"/> NPCD-30.....	30"
<input type="checkbox"/> NPCD-36.....	36"
<input type="checkbox"/> NPCD-42.....	42"
<input type="checkbox"/> NPCD-48.....	48"
<input type="checkbox"/> NPCD-54.....	54"
<input type="checkbox"/> NPCD-60.....	60"
<input type="checkbox"/> NPCD-66.....	66"
<input type="checkbox"/> NPCD-72.....	72"

CUSTOM SERIES 24" DEEP

model # (for different sizes call)	length
<input type="checkbox"/> NCCD-18.....	18"
<input type="checkbox"/> NCCD-24.....	24"
<input type="checkbox"/> NCCD-30.....	30"
<input type="checkbox"/> NCCD-36.....	36"
<input type="checkbox"/> NCCD-42.....	42"
<input type="checkbox"/> NCCD-48.....	48"
<input type="checkbox"/> NCCD-54.....	54"
<input type="checkbox"/> NCCD-60.....	60"
<input type="checkbox"/> NCCD-66.....	66"
<input type="checkbox"/> NCCD-72.....	72"

STANDARD FEATURES

- 18 gauge #304 stainless
- Heavy duty stainless gussets, legs, adj. feet & support channels
- Bullnose front design
- Stainless steel door(s)
- Seamless tops and drainboards
- Sound insulation undercoating
- Heavy duty hardware
- 6" High back splash
- All stainless steel construction

OPTIONAL FEATURES

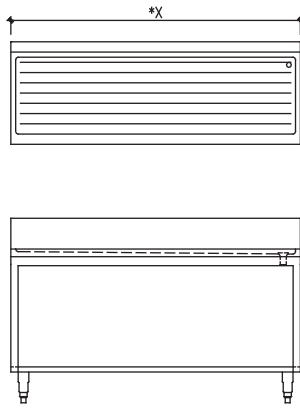
model #	description
<input type="checkbox"/> GR10.....	glass rack 10 x 20
<input type="checkbox"/> GR20.....	glass rack 20 x 20
<input type="checkbox"/> DR (used w/ -CB).....	doors
<input type="checkbox"/> DL.....	door lock
<input type="checkbox"/> MS.....	mid shelf
<input type="checkbox"/> AMS.....	adj. mid shelf
<input type="checkbox"/> CU.....	6" high s/s curb
<input type="checkbox"/> M.....	modified size
<input type="checkbox"/> SP__(4", 8", 10", 12").....	high splash
<input type="checkbox"/> SSF__(L-left, R-right, B-both).....	side splash add on

*see options section for more details



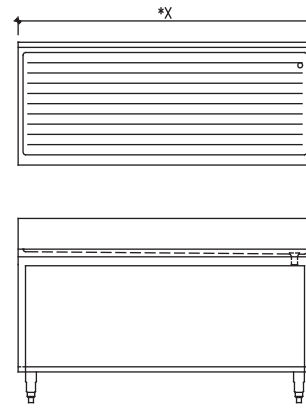
PRO-LINE

Base model shown:
NPCD-__

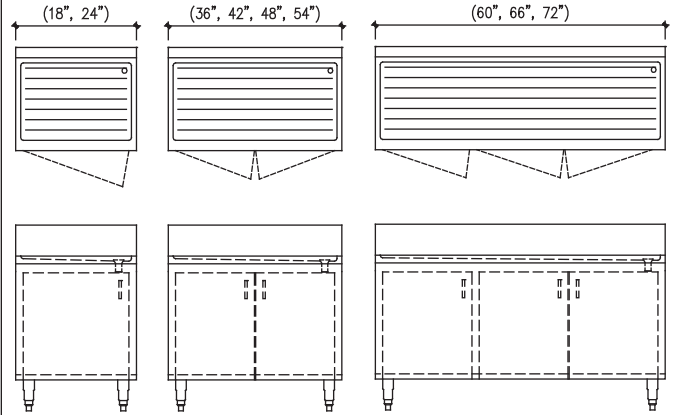


CUSTOM

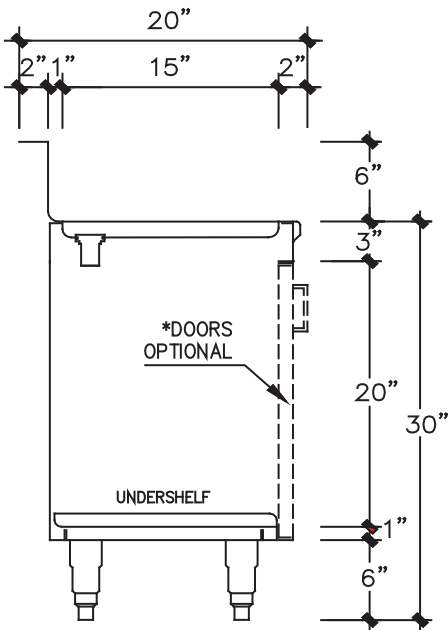
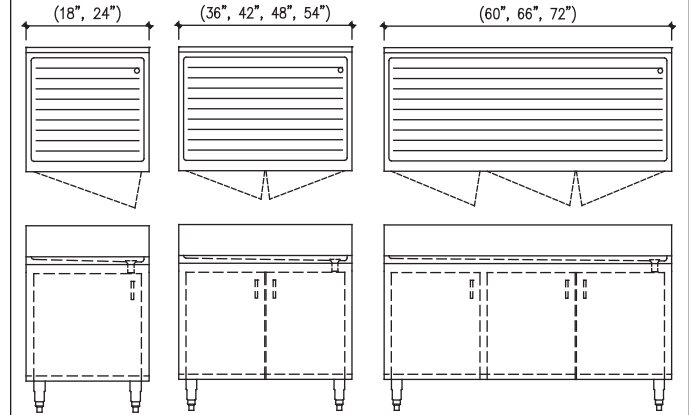
Base model shown:
NCCD-__



Optional door setups for models: NPCD-*X-DR



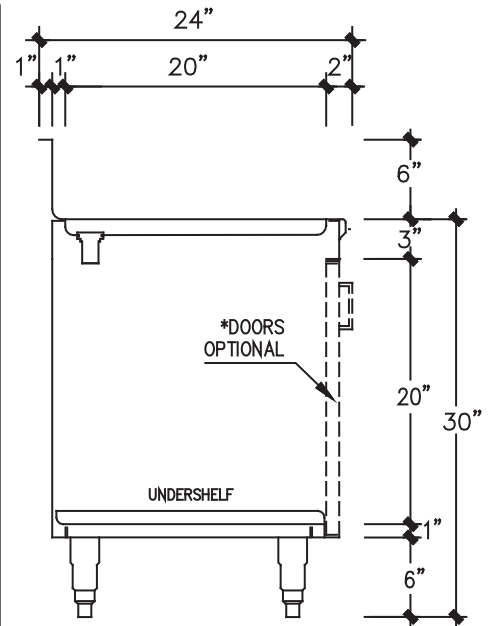
Optional door setups for models: NCCD-*X-DR



SECTION (PRO-LINE)

TECHNICAL DATA

model #	length *X	# of doors (optional)	shipping weight (lbs.)
NPCD-18	18"	1	65
NPCD-24	24"	1	80
NPCD-36	36"	2	95
NPCD-42	42"	2	110
NPCD-48	48"	2	125
NPCD-54	54"	2	140
NPCD-60	60"	3	155
NPCD-66	66"	3	170
NPCD-72	72"	3	185
NCCD-18	18"	1	75
NCCD-24	24"	1	90
NCCD-36	36"	2	105
NCCD-42	42"	2	120
NCCD-48	48"	2	135
NCCD-54	54"	2	150
NCCD-60	60"	3	165
NCCD-66	66"	3	180
NCCD-72	72"	3	195



SECTION (CUSTOM)