

Project _____

Dealer _____

Item # _____ Quantity _____

PRO-LINE



model shown:
NPDB-36

PRO-LINE SERIES 20" DEEP

| model # (for different sizes call) | length |
|---------------------------------------|--------|
| <input type="checkbox"/> NPDB-12..... | 12" |
| <input type="checkbox"/> NPDB-24..... | 24" |
| <input type="checkbox"/> NPDB-36..... | 36" |
| <input type="checkbox"/> NPDB-48..... | 48" |

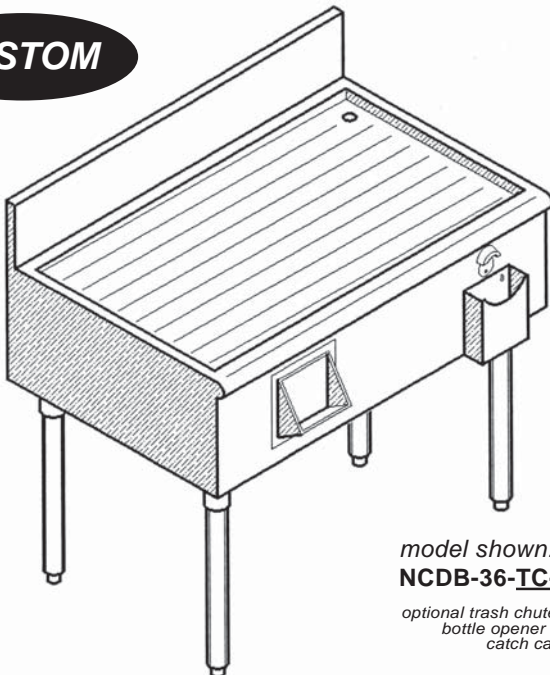
CUSTOM SERIES 24" DEEP

| model # (for different sizes call) | length |
|---------------------------------------|--------|
| <input type="checkbox"/> NCDB-12..... | 12" |
| <input type="checkbox"/> NCDB-24..... | 24" |
| <input type="checkbox"/> NCDB-36..... | 36" |
| <input type="checkbox"/> NCDB-48..... | 48" |

STANDARD FEATURES

- 18 gauge #304 stainless
- Heavy duty stainless gussets, legs, adj. feet & support channels
- Bullnose front design
- Sound insulation undercoating
- Pitched corrugated drainboard
- 1" drain connection
- 6" High back splash

CUSTOM



model shown:
NCDB-36-TC-BO-CC

optional trash chute,
bottle opener &
catch can

OPTIONAL FEATURES

| model # | description |
|---|-------------------------|
| <input type="checkbox"/> BS..... | bottom shelf |
| <input type="checkbox"/> CB..... | cabinet base |
| <input type="checkbox"/> APR (removable)..... | hinged apron frnt pnl |
| <input type="checkbox"/> DR (used w/-CB)..... | door |
| <input type="checkbox"/> TC..... | trash chute |
| <input type="checkbox"/> TN..... | trash notch |
| <input type="checkbox"/> BO..... | bottle opener |
| <input type="checkbox"/> CC..... | catch can |
| <input type="checkbox"/> TB..... | towel bar |
| <input type="checkbox"/> M..... | modified sizes |
| <input type="checkbox"/> BC..... | beer chase |
| <input type="checkbox"/> SN..... | soda notch |
| <input type="checkbox"/> SP__(4", 8", 10", 12")..... | high splash |
| <input type="checkbox"/> SSF__(L-left, R-right, B-both).... | side splash add on |
| <input type="checkbox"/> DUP..... | duplex |
| <input type="checkbox"/> QUP..... | quad-plex |
| <input type="checkbox"/> AS (instead of galv. back)..... | all stainless stl. upg. |

*see options section for more details

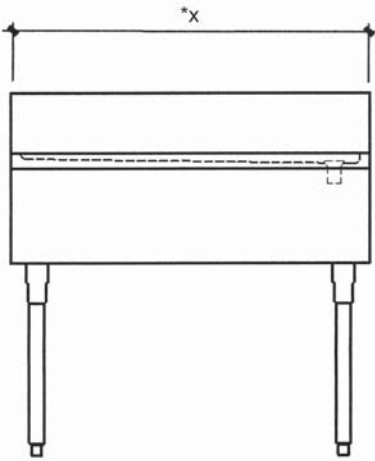
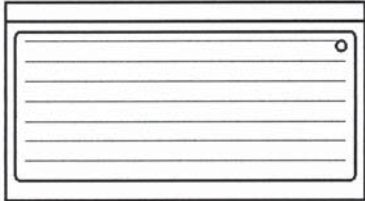
SPECIFICATIONS

PLUMBING:

- 1" drain connections

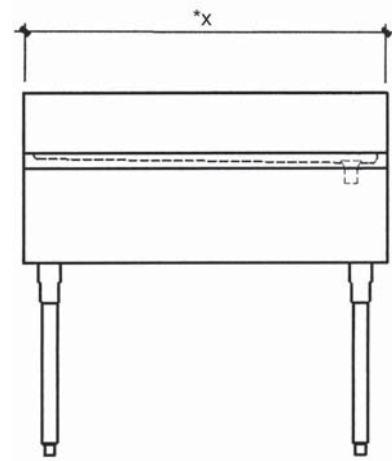
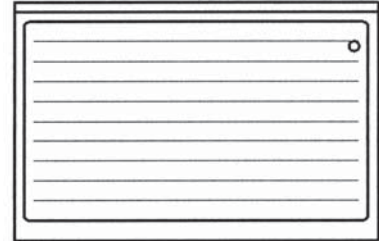
PRO-LINE

model shown:
NPDB-*X



CUSTOM

model shown:
NCDB-*X



TECHNICAL DATA

| model # | length *x | shipping weight (lbs.) |
|---------|--------------|---------------------------|
| NPDB-12 | 12" | 40 |
| NPDB-24 | 24" | 50 |
| NPDB-36 | 36" | 60 |
| NPDB-48 | 48" | 70 |
| NCDB-12 | 12" | 45 |
| NCDB-24 | 24" | 55 |
| NCDB-36 | 36" | 65 |
| NCDB-48 | 48" | 75 |

SECTION (PRO-LINE)

SECTION (CUSTOM)