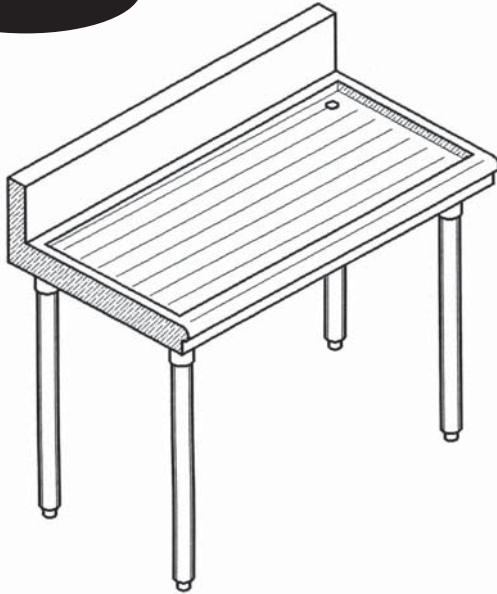


Project _____

Dealer _____

Item # _____ Quantity _____

PRO-LINE



model shown:
NPDB-36

CUSTOM



model shown:
NCDB-36-GR20
optional glass racks

SPECIFICATIONS

PLUMBING:

- 1" drain connections

PRO-LINE SERIES 20" DEEP

| model # (for different sizes call) | length |
|--|--------|
| <input type="checkbox"/> NPDT-12..... | 12" |
| <input type="checkbox"/> NPDT-24..... | 24" |
| <input type="checkbox"/> NPDT-36..... | 36" |
| <input type="checkbox"/> NPDT-48..... | 48" |
| <input type="checkbox"/> NPDT-26-GR20..... | 26" |

CUSTOM SERIES 24" DEEP

| model # (for different sizes call) | length |
|--|--------|
| <input type="checkbox"/> NCDB-12..... | 12" |
| <input type="checkbox"/> NCDB-24..... | 24" |
| <input type="checkbox"/> NCDB-36..... | 36" |
| <input type="checkbox"/> NCDB-48..... | 48" |
| <input type="checkbox"/> NCDT-26-GR20..... | 26" |

STANDARD FEATURES

- 18 gauge #304 stainless
- Heavy duty stainless gussets, legs, adj. feet & support channels
- Bullnose front design
- Sound insulation undercoating
- Pitched corrugated drainboard
- 1" drain connection
- 6" High back splash

OPTIONAL FEATURES

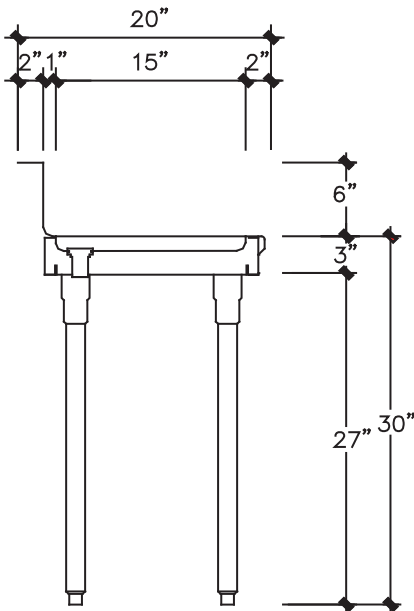
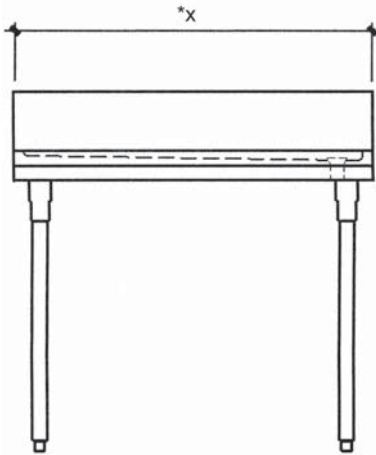
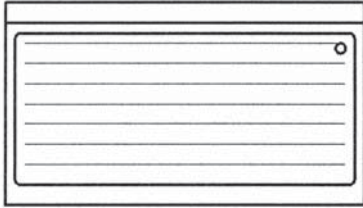
| model # | description |
|---|-------------------------|
| <input type="checkbox"/> BS..... | bottom shelf |
| <input type="checkbox"/> MS..... | mid. shelf |
| <input type="checkbox"/> AMS (used w/ -CB)..... | adj. mid shelf |
| <input type="checkbox"/> CB..... | cabinet base |
| <input type="checkbox"/> APR (removable)..... | hinged apron frnt pnl |
| <input type="checkbox"/> DR (used w/ -CB)..... | door |
| <input type="checkbox"/> GR10..... | glass rack 10 x 20 |
| <input type="checkbox"/> GR20..... | glass rack 20 x 20 |
| <input type="checkbox"/> M..... | modified sizes |
| <input type="checkbox"/> BC..... | beer chase |
| <input type="checkbox"/> SN..... | soda notch |
| <input type="checkbox"/> SP_(4", 8", 10", 12")..... | high splash |
| <input type="checkbox"/> SSF_(L-left, R-right, B-both)..... | side splash add on |
| <input type="checkbox"/> DUP..... | duplex |
| <input type="checkbox"/> QUP..... | quad-plex |
| <input type="checkbox"/> AS (instead of galv. back)..... | all stainless stl. upg. |

*see options section for more details



PRO-LINE

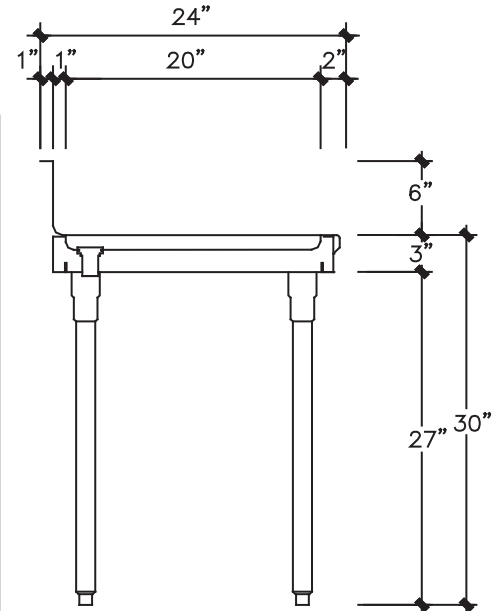
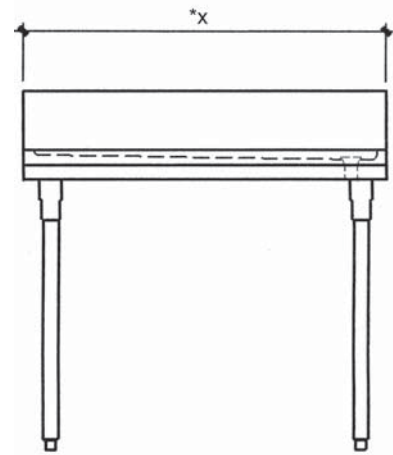
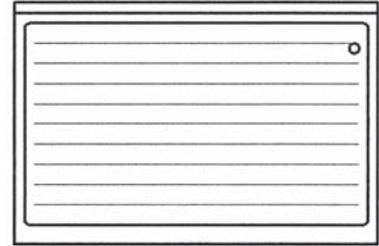
model shown:
NPDT-*X



SECTION (PRO-LINE)

CUSTOM

model shown:
NCDT-*X



SECTION (CUSTOM)

TECHNICAL DATA

| model # | length *x | shipping weight (lbs.) |
|--------------|--------------|---------------------------|
| NPDT-12 | 12" | 30 |
| NPDT-24 | 24" | 40 |
| NPDT-36 | 36" | 50 |
| NPDT-48 | 48" | 60 |
| NPDT-26-GR20 | 26" | 45 |
| NCDT-12 | 12" | 35 |
| NCDT-24 | 24" | 45 |
| NCDT-36 | 36" | 55 |
| NCDT-48 | 48" | 65 |
| NPDT-26-GR20 | 48" | 60 |