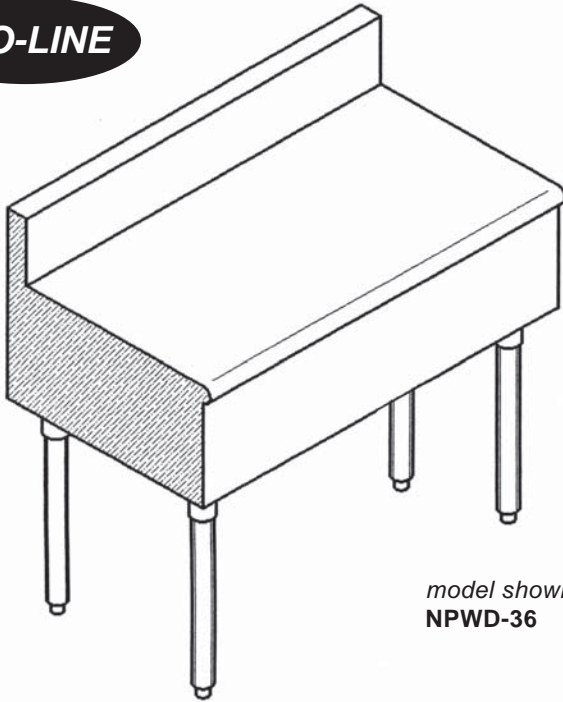


Project _____

Dealer _____

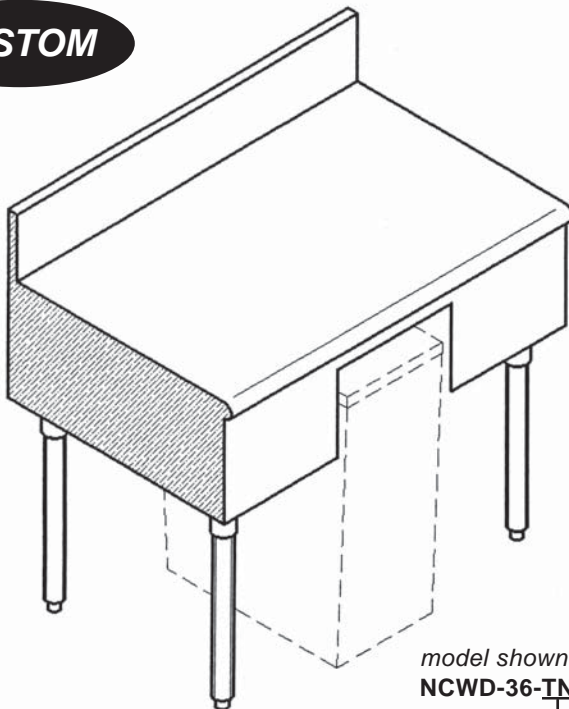
Item # _____ Quantity _____

PRO-LINE



model shown:
NPWD-36

CUSTOM



model shown:
NCWD-36-TN
optional notched apron

PRO-LINE SERIES 20" DEEP

model # (for different sizes call)	length
<input type="checkbox"/> NPWD-12.....	12"
<input type="checkbox"/> NPWD-24.....	24"
<input type="checkbox"/> NPWD-36.....	36"
<input type="checkbox"/> NPWD-48.....	48"

CUSTOM SERIES 24" DEEP

model # (for different sizes call)	length
<input type="checkbox"/> NCWD-12.....	12"
<input type="checkbox"/> NCWD-24.....	24"
<input type="checkbox"/> NCWD-36.....	36"
<input type="checkbox"/> NCWD-48.....	48"

STANDARD FEATURES

- 18 gauge #304 stainless
- Heavy duty stainless gussets, legs, adj. feet & support channels
- Bullnose front design
- Sound insulation undercoating
- 6" High back splash

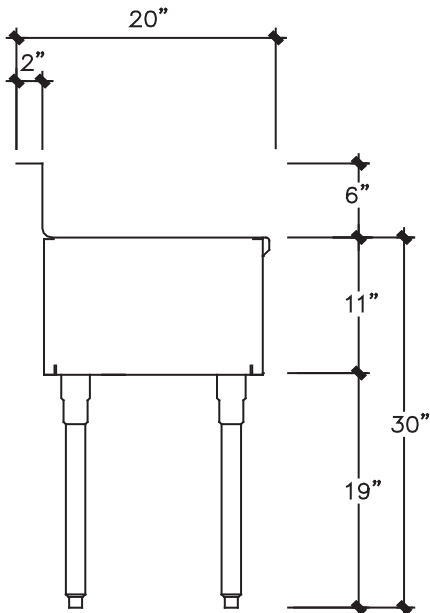
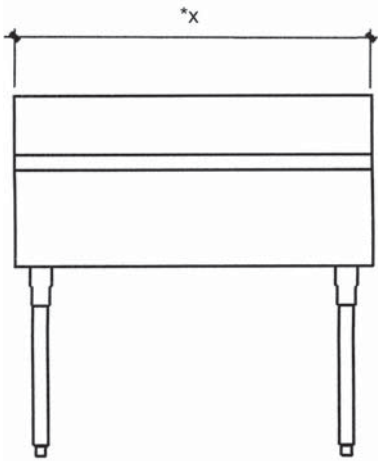
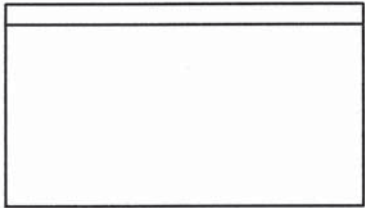
OPTIONAL FEATURES

model #	description
<input type="checkbox"/> BS.....	bottom shelf
<input type="checkbox"/> CB.....	cabinet base
<input type="checkbox"/> APR (removable).....	hinged apron frnt pnl
<input type="checkbox"/> DR (used w/ -CB).....	door
<input type="checkbox"/> TC.....	rubber trash chute
<input type="checkbox"/> WC.....	s/s round trash chute
<input type="checkbox"/> TN.....	notched apron
<input type="checkbox"/> TB.....	towel bar
<input type="checkbox"/> M.....	modified sizes
<input type="checkbox"/> DT (1" drain connection).....	drainboard top
<input type="checkbox"/> BC.....	beer chase
<input type="checkbox"/> SN.....	soda notch
<input type="checkbox"/> SP__(4", 8", 10", 12").....	high splash
<input type="checkbox"/> SSF__(L-left, R-right, B-both).....	side splash add on
<input type="checkbox"/> DUP.....	duplex
<input type="checkbox"/> QUP.....	quad-plex
<input type="checkbox"/> AS (instead of galv.back).....	all stainless stl. upg.

*see options section for more details

PRO-LINE

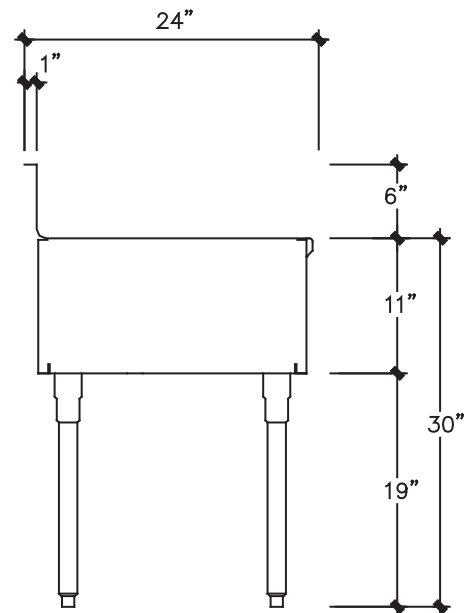
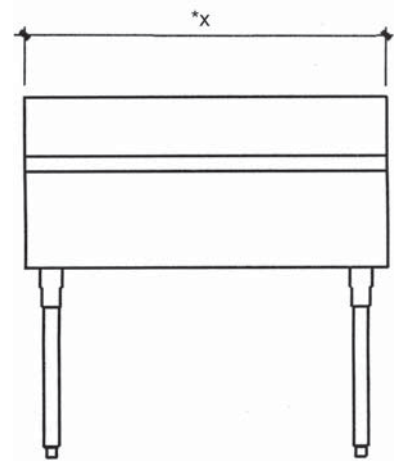
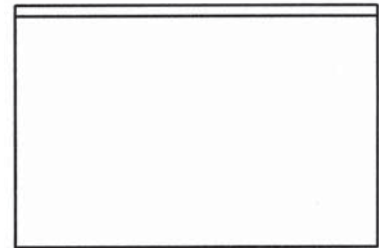
model shown:
NPWD-*X



SECTION (PRO-LINE)

CUSTOM

model shown:
NCWD-*X



SECTION (CUSTOM)

TECHNICAL DATA

model #	length *x	shipping weight (lbs.)
NPWD-12	12"	40
NPWD-24	24"	50
NPWD-36	36"	60
NPWD-48	48"	70
NCWD-12	12"	45
NCWD-24	24"	55
NCWD-36	36"	65
NCWD-48	48"	75