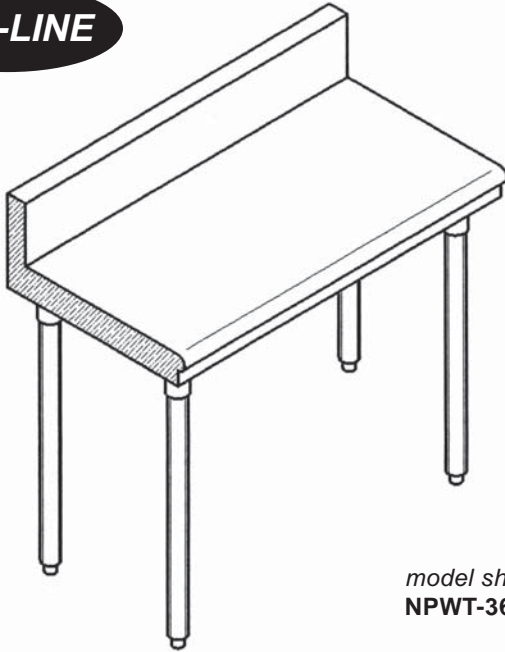


Project \_\_\_\_\_

Dealer \_\_\_\_\_

Item # \_\_\_\_\_ Quantity \_\_\_\_\_

## PRO-LINE



model shown:  
NPWT-36

### PRO-LINE SERIES 20" DEEP

model # (for different sizes call)	length
<input type="checkbox"/> NPWT-12.....	12"
<input type="checkbox"/> NPWT-24.....	24"
<input type="checkbox"/> NPWT-36.....	36"
<input type="checkbox"/> NPWT-48.....	48"

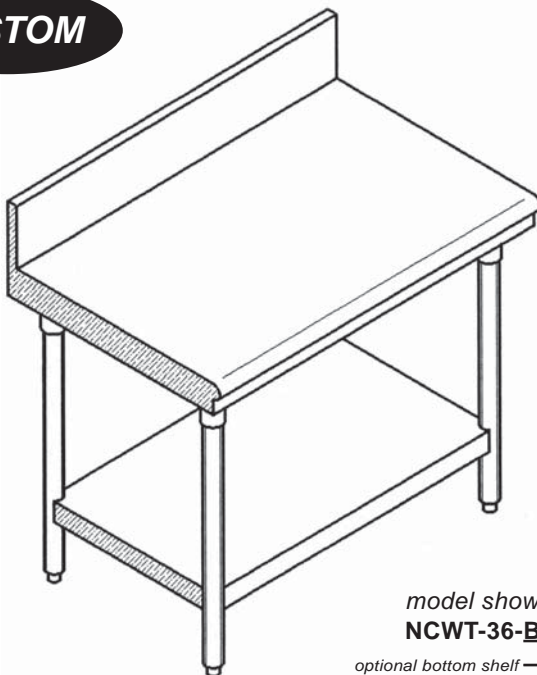
### CUSTOM SERIES 24" DEEP

model # (for different sizes call)	length
<input type="checkbox"/> NCWT-12.....	12"
<input type="checkbox"/> NCWT-24.....	24"
<input type="checkbox"/> NCWT-36.....	36"
<input type="checkbox"/> NCWT-48.....	48"

### STANDARD FEATURES

- 18 gauge #304 stainless
- Heavy duty stainless gussets, legs, adj. feet & support channels
- Bullnose front design
- Sound insulation undercoating
- 6" High backsplash

## CUSTOM



model shown:  
NCWT-36-BS  
optional bottom shelf

### OPTIONAL FEATURES

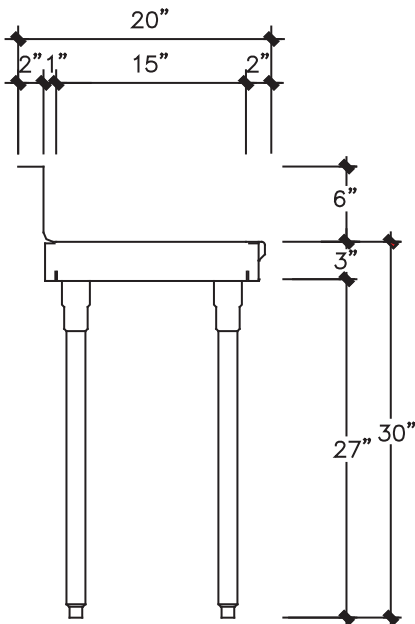
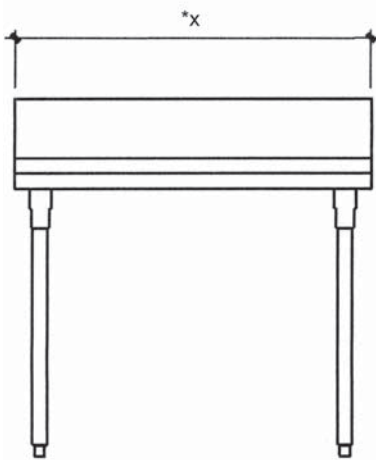
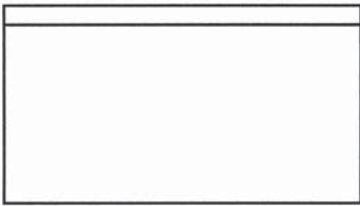
model #	description
<input type="checkbox"/> BS.....	bottom shelf
<input type="checkbox"/> MS.....	mid shelf
<input type="checkbox"/> CB.....	cabinet base
<input type="checkbox"/> APR (removable).....	hinged apron frnt pnl
<input type="checkbox"/> DR (used w/ -CB).....	door
<input type="checkbox"/> GR10.....	glass rack 10 x 20
<input type="checkbox"/> GR20.....	glass rack 20 x 20
<input type="checkbox"/> M.....	modified sizes
<input type="checkbox"/> DT (1" drain connection).....	drainboard top
<input type="checkbox"/> BC.....	beer chase
<input type="checkbox"/> SN.....	soda notch
<input type="checkbox"/> SP__(4", 8", 10", 12").....	high splash
<input type="checkbox"/> SSF__(L-left, R-right, B-both).....	side splash add on
<input type="checkbox"/> DUP.....	duplex
<input type="checkbox"/> QUP.....	quad-plex
<input type="checkbox"/> AS (instead of galv. back).....	all stainless stl. upg.

\*see options section for more details



## PRO-LINE

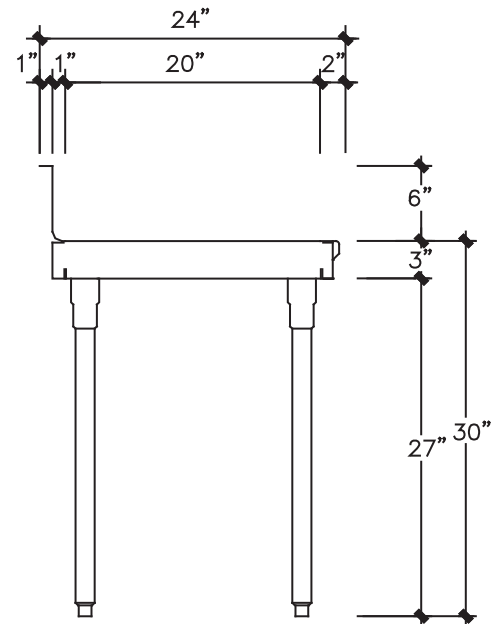
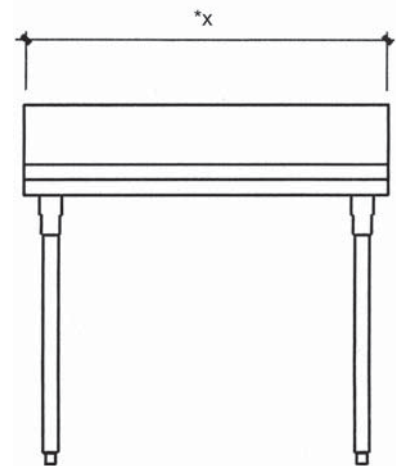
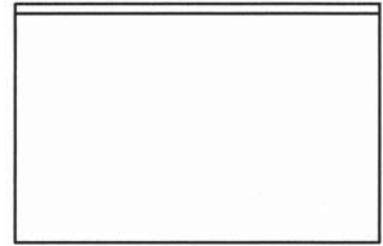
model shown:  
NPWT-\*X



### SECTION (PRO-LINE)

## CUSTOM

model shown:  
NCWT-\*X



### SECTION (CUSTOM)

### TECHNICAL DATA

model #	length *x	shipping weight (lbs.)
NPWT-12	12"	30
NPWT-24	24"	40
NPWT-36	36"	50
NPWT-48	48"	60
NCWT-12	12"	35
NCWT-24	24"	45
NCWT-36	36"	55
NCWT-48	48"	65