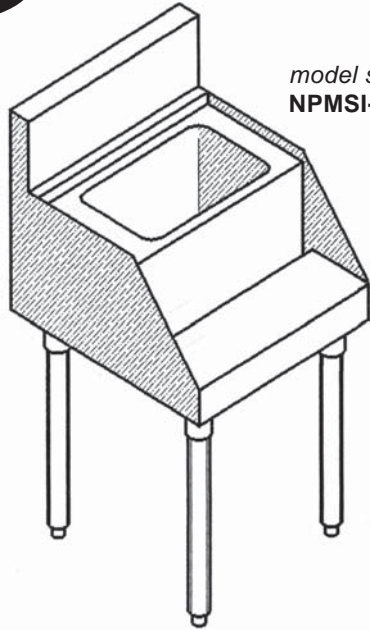


Project \_\_\_\_\_

Dealer \_\_\_\_\_

Item # \_\_\_\_\_ Quantity \_\_\_\_\_

## PRO-LINE



model shown:  
NPMSI-18

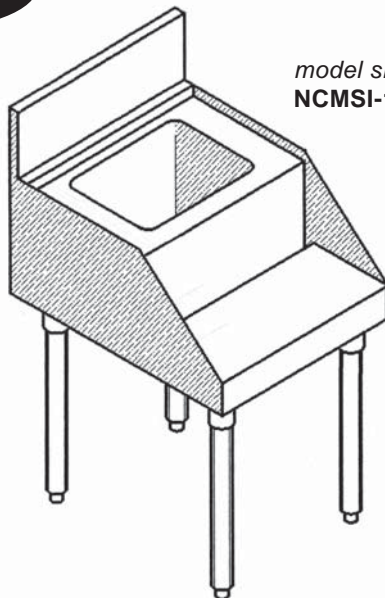
### PRO-LINE SERIES 20" DEEP

model # (for different sizes call)	length
<input type="checkbox"/> NPMSI-12.....	12"
<input type="checkbox"/> NPMSI-15.....	15"
<input type="checkbox"/> NPMSI-18.....	18"
<input type="checkbox"/> NPMSI-21.....	21"
<input type="checkbox"/> NPMSI-24.....	24"

### CUSTOM SERIES 24" DEEP

model # (for different sizes call)	length
<input type="checkbox"/> NCMSI-12.....	12"
<input type="checkbox"/> NCMSI-15.....	15"
<input type="checkbox"/> NCMSI-18.....	18"
<input type="checkbox"/> NCMSI-21.....	21"
<input type="checkbox"/> NCMSI-24.....	24"

## CUSTOM



model shown:  
NCMSI-18

### STANDARD FEATURES

- 18 gauge #304 stainless
- Heavy duty stainless gussets, legs, adj. feet & support channels
- Duplex outlet
- 6" High back splash
- Recessed shelf
- Foam insulated ice bins

### OPTIONAL FEATURES

model #	description
<input type="checkbox"/> BS.....	bottom shelf
<input type="checkbox"/> CB.....	cabinet base
<input type="checkbox"/> APR (removable).....	hinged apron frnt pnl
<input type="checkbox"/> DR (used w/ -CB).....	door
<input type="checkbox"/> FB.....	false bottom
<input type="checkbox"/> FPX.....	fourplex outlet conv.
<input type="checkbox"/> M.....	modified sizes
<input type="checkbox"/> EBS.....	extend bottom shelf
<input type="checkbox"/> SN.....	soda notch
<input type="checkbox"/> SP__(4", 8", 10", 12").....	high splash
<input type="checkbox"/> AS (instead of galvanized back).....	all stainless stl. upg.
<input type="checkbox"/> SS__(L-left, R-right, B-both).....	side splash add on
<input type="checkbox"/> QUPU.....	quad-plex upgrade

\*see options section for more details

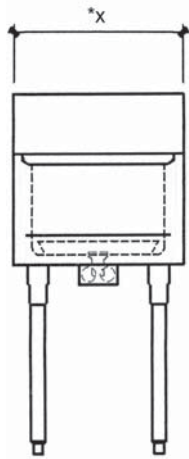
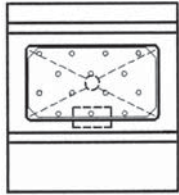
### SPECIFICATIONS

- PLUMBING:**
- 1" drain connections



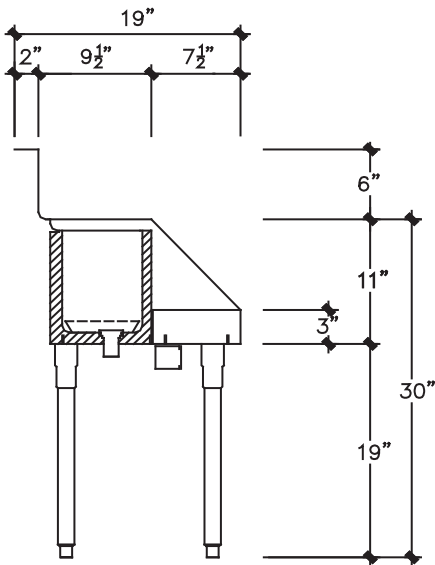
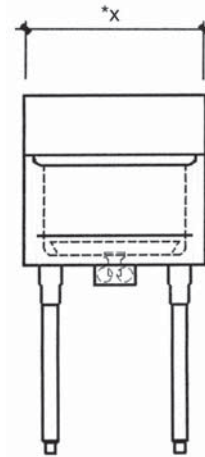
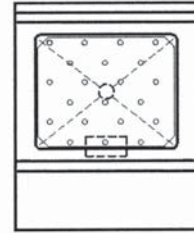
## PRO-LINE

model shown:  
NPMSI-\*X



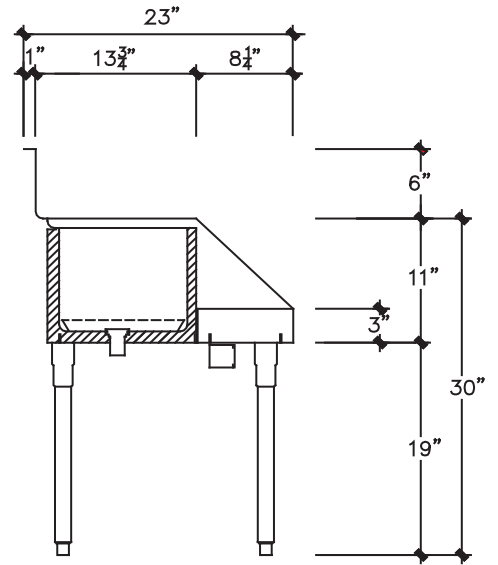
## CUSTOM

model shown:  
NCMSI-\*X



### TECHNICAL DATA

model #	length *x	ice capacity (lbs.)	blender capacity	shipping weight (lbs.)
NPMSI-12	12"	25	1	55
NPMSI-15	15"	30	1	60
NPMSI-18	18"	35	2	65
NPMSI-21	21"	40	3	70
NPMSI-24	24"	45	3	75
NCMSI-12	12"	30	1	60
NCMSI-15	15"	35	1	65
NCMSI-18	18"	40	2	70
NCMSI-21	21"	45	3	75
NCMSI-24	24"	50	3	80



### SECTION (PRO-LINE)

### SECTION (CUSTOM)