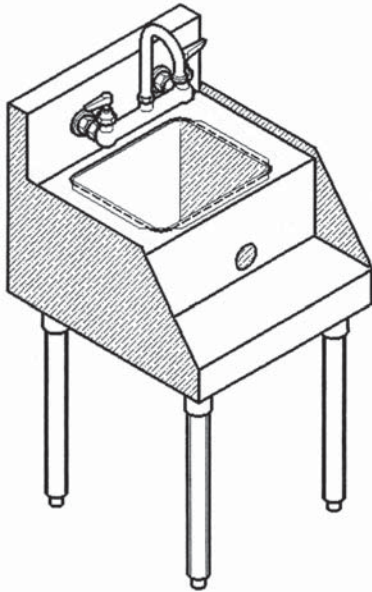


Project _____

Dealer _____

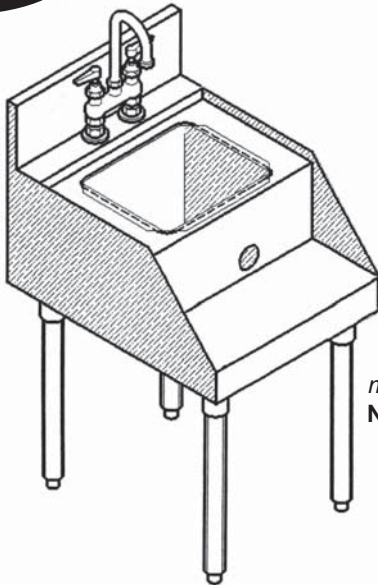
Item # _____ Quantity _____

PRO-LINE



model shown:
NPMSD-18

CUSTOM



model shown:
NCMSD-18

SPECIFICATIONS

PLUMBING:

- 1/2" cold and hot connections
- 1-1/2" drain connections

PRO-LINE SERIES 20" DEEP

model # (for different sizes call)	length
<input type="checkbox"/> NPMSD-12	12"
<input type="checkbox"/> NPMSD-15	15"
<input type="checkbox"/> NPMSD-18	18"
<input type="checkbox"/> NPMSD-21	21"
<input type="checkbox"/> NPMSD-24	24"

CUSTOM SERIES 24" DEEP

model # (for different sizes call)	length
<input type="checkbox"/> NCMSD-12	12"
<input type="checkbox"/> NCMSD-15	15"
<input type="checkbox"/> NCMSD-18	18"
<input type="checkbox"/> NCMSD-21	21"
<input type="checkbox"/> NCMSD-24	24"

STANDARD FEATURES

- 18 gauge #304 stainless
- Heavy duty stainless gussets, legs, adj. feet & support channels
- Duplex outlet
- 10" x 8" x 6" dump sink (custom)
- 8.5" x 5.5" x 6" dump sink (proline)
- Stainless dump basket
- Low lead certified gooseneck faucet
- Recessed shelf
- 2" Dia. hole w/ a rubber grommet

OPTIONAL FEATURES

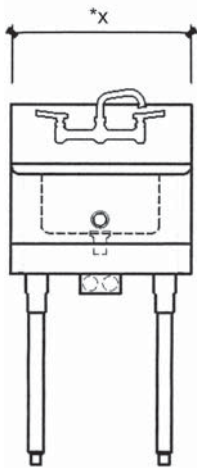
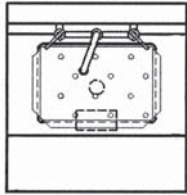
model #	description
<input type="checkbox"/> CF (low lead certified)	Chicago faucet upg.
<input type="checkbox"/> SF (low lead certified)	stainless steel faucet upg.
<input type="checkbox"/> BS	bottom shelf
<input type="checkbox"/> CB	cabinet base
<input type="checkbox"/> APR (removable)	hinged apron frnt pnl
<input type="checkbox"/> DR (used w/ -CB)	door
<input type="checkbox"/> M	modified size
<input type="checkbox"/> FPX	fourplex outlet conv.
<input type="checkbox"/> EBS	extend. bottom shelf
<input type="checkbox"/> MF	melt down faucet
<input type="checkbox"/> MV	mixing valve
<input type="checkbox"/> SP (4", 8", 10", 12")	high splash
<input type="checkbox"/> AS (instead of galv. back)	all stainless stl. upg.
<input type="checkbox"/> SS (L-left, R-right, B-both)	side splash add on
<input type="checkbox"/> QUPU	quad-plex upgrade

*see options section for more details



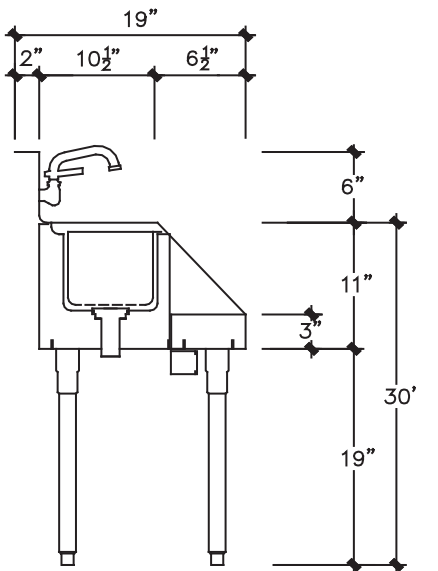
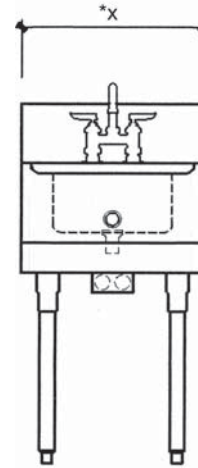
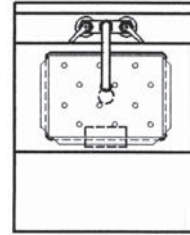
PRO-LINE

model shown:
NPMSD-*X



CUSTOM

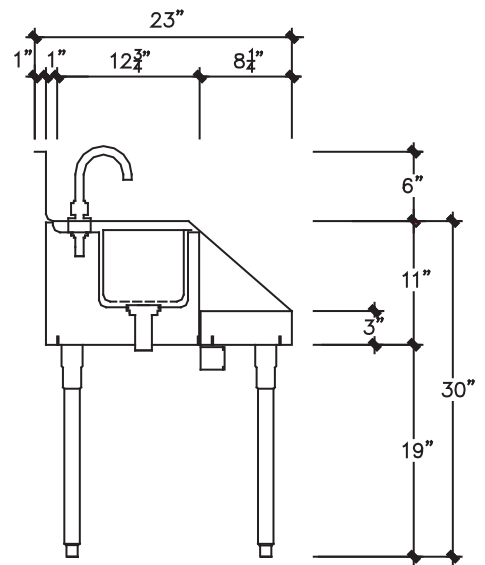
model shown:
NCMSD-*X



SECTION (PRO-LINE)

TECHNICAL DATA

model #	length *x	blender capacity	shipping weight (lbs.)
NPMSD-12	12"	1	55
NPMSD-15	15"	1	60
NPMSD-18	18"	2	65
NPMSD-21	21"	3	70
NPMSD-24	24"	3	75
NCMSD-12	12"	1	60
NCMSD-15	15"	1	65
NCMSD-18	18"	2	70
NCMSD-21	21"	3	75
NCMSD-24	24"	3	80



SECTION (CUSTOM)