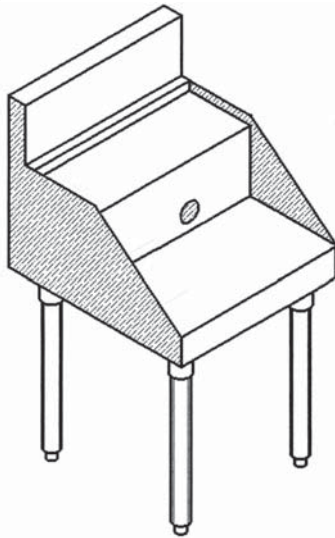


Project \_\_\_\_\_

Dealer \_\_\_\_\_

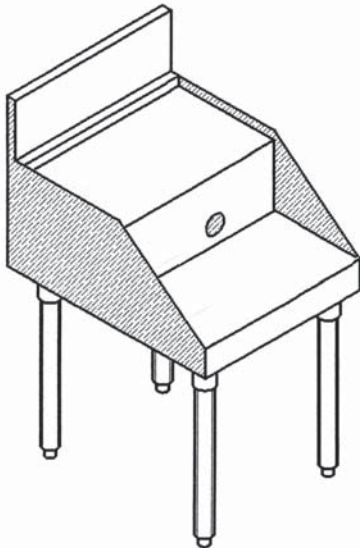
Item # \_\_\_\_\_ Quantity \_\_\_\_\_

## PRO-LINE



model shown:  
NPMS-18

## CUSTOM



model shown:  
NCMS-18

## SPECIFICATIONS

### PLUMBING:

- 1/2" cold and hot connections
- 1-1/2" drain connections

## PRO-LINE SERIES 20" DEEP

model # (for different sizes call)	length
<input type="checkbox"/> NPMS-12.....	12"
<input type="checkbox"/> NPMS-15.....	15"
<input type="checkbox"/> NPMS-18.....	18"
<input type="checkbox"/> NPMS-21.....	21"
<input type="checkbox"/> NPMS-24.....	24"

## CUSTOM SERIES 24" DEEP

model # (for different sizes call)	length
<input type="checkbox"/> NCMS-12.....	12"
<input type="checkbox"/> NCMS-15.....	15"
<input type="checkbox"/> NCMS-18.....	18"
<input type="checkbox"/> NCMS-21.....	21"
<input type="checkbox"/> NCMS-24.....	24"

## STANDARD FEATURES

- 18 gauge #304 stainless
- Heavy duty stainless gussets, legs, adj. feet & support channels
- Duplex outlet
- Recessed shelf
- 6" High black splash
- 2" Dia. hole w/ a rubber grommet

## OPTIONAL FEATURES

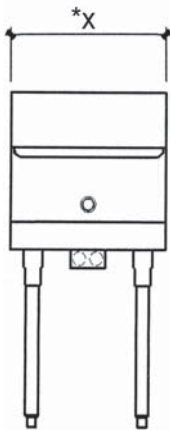
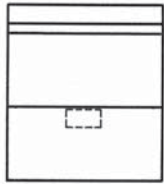
model #	description
<input type="checkbox"/> BS.....	bottom shelf
<input type="checkbox"/> CB.....	cabinet base
<input type="checkbox"/> APR (removable).....	hinged apron frnt pnl
<input type="checkbox"/> DR (used w/ -CB).....	door
<input type="checkbox"/> MDX.....	mix./dump sink conv.
<input type="checkbox"/> FPX.....	fourplex outlet conv.
<input type="checkbox"/> EBS.....	extend. bottom shelf
<input type="checkbox"/> MF.....	melt down faucet
<input type="checkbox"/> MV (used w/ -MF).....	mixing valve
<input type="checkbox"/> BC.....	beer chase
<input type="checkbox"/> SN.....	soda notch
<input type="checkbox"/> SP__(4", 8", 10", 12").....	high splash
<input type="checkbox"/> AS (instead of galv. back).....	all stainless stl. upg.
<input type="checkbox"/> SS__(L-left, R-right, B-both).....	side splash add on
<input type="checkbox"/> QUPU.....	quad-plex upgrade

\*see options section for more details



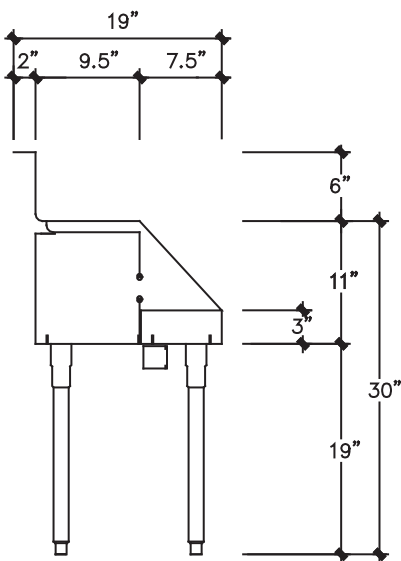
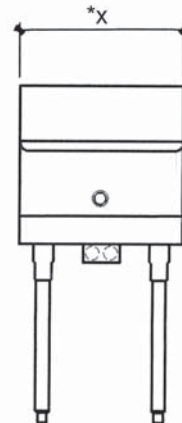
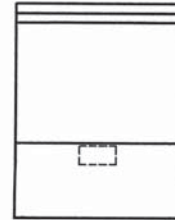
## PRO-LINE

model shown:  
NPMS-\*X



## CUSTOM

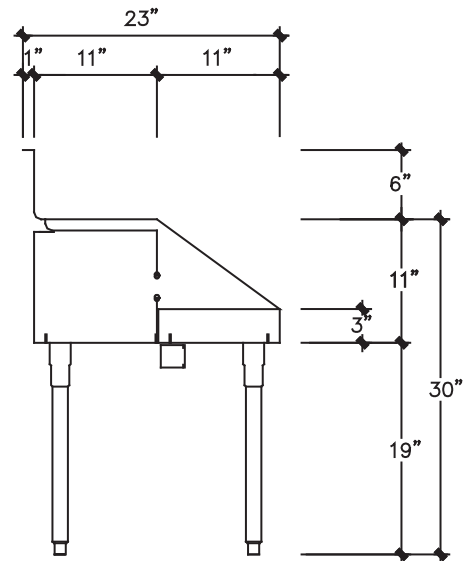
model shown:  
NCMS-\*X



**SECTION (PRO-LINE)**

### TECHNICAL DATA

model #	length *x	blender capacity	shipping weight (lbs.)
NPMS-12	12"	1	50
NPMS-15	15"	1	55
NPMS-18	18"	2	60
NPMS-21	21"	3	65
NPMS-24	24"	3	70
NCMS-12	12"	1	55
NCMS-15	15"	1	60
NCMS-18	18"	2	65
NCMS-21	21"	3	70
NCMS-24	24"	3	75



**SECTION (CUSTOM)**