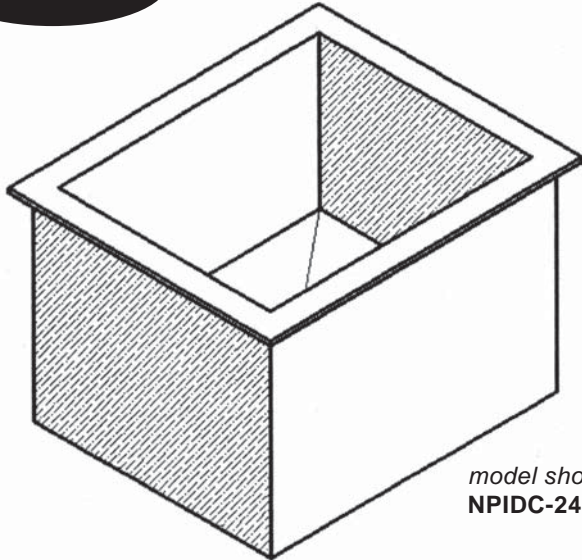


Project _____

Dealer _____

Item # _____ Quantity _____

PRO-LINE



model shown:
NPIDC-24

PRO-LINE SERIES 20" DEEP

model # (for different sizes call) _____ flange size
 NPIDC-24.....19" x 24"

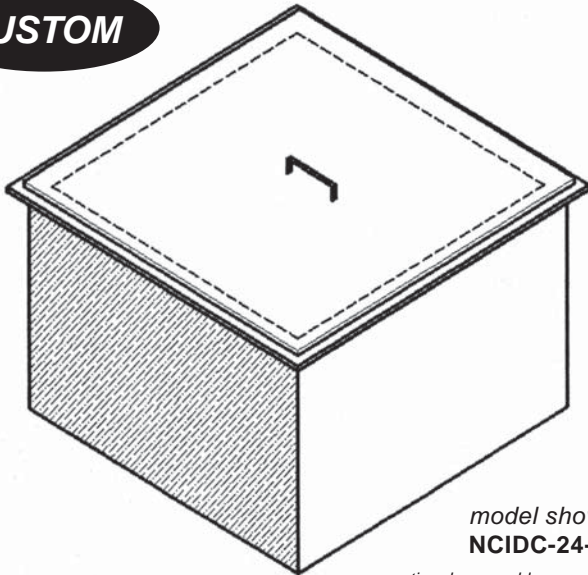
CUSTOM SERIES 24" DEEP

model # (for different sizes call) _____ flange size
 NCIDC-24.....24" x 24"

STANDARD FEATURES

- 8-circuit cold plate (*Pro-Line series*)
- 10-circuit cold plate (*Custom series*)
- Foam insulated ice bins
- Cut out sizes:
 - NPIDC-2417 1/4" x 22 1/4"
 - NCIDC-24 22 1/4" x 22 1/4"
- 10" Inside deep ice bin

CUSTOM



model shown:
NCIDC-24-RC
optional removable cover

OPTIONAL FEATURES

model #	description
<input type="checkbox"/> RC	removable cover
<input type="checkbox"/> SLD	sliding cover
<input type="checkbox"/> ID	ice bin divide
<input type="checkbox"/> M	modified size
<input type="checkbox"/> EDP (35% incr. in ice cap.).....	16" inside deep bin
<input type="checkbox"/> CPU __(10 or 12 circuit).....	cold plate upgrade
<input type="checkbox"/> AS (instead of galv. side & bottom).all stainless st. upg.	

*see options section for more details

SPECIFICATIONS

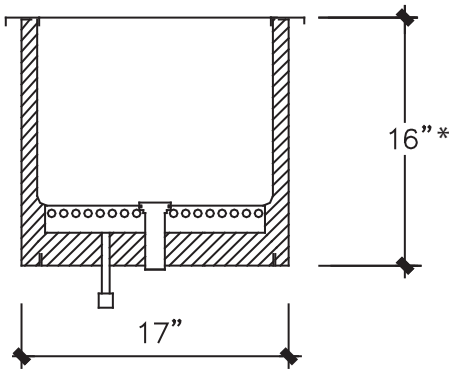
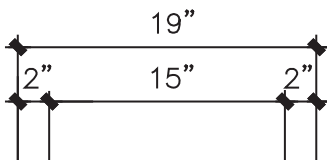
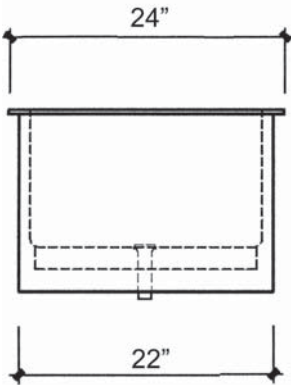
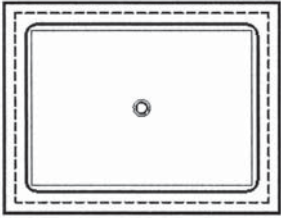
PLUMBING:

- 1/2" drain connection w/cold plate (8-circuit)
- 3/4" drain connection w/cold plate (10 or 12 circuit)



PRO-LINE

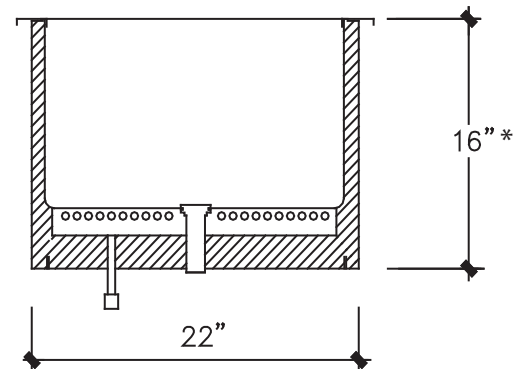
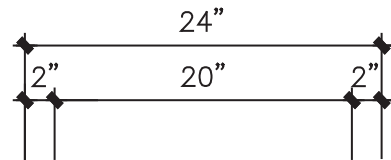
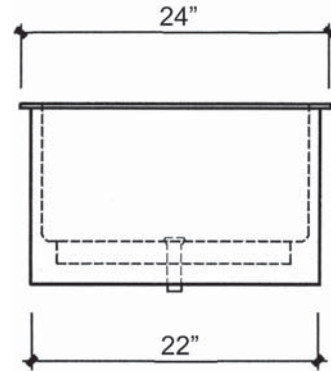
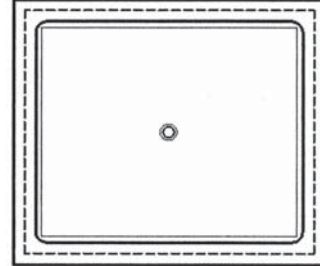
model shown:
NPIDC-24



SECTION (PRO-LINE)

CUSTOM

model shown:
NCIDC-24



SECTION (CUSTOM)

* = Body height becomes 20" w/ EDP option

TECHNICAL DATA

model #	ice capacity (lbs.)	shipping weight (lbs.)
NPIDC-24	80	75
NCIDC-24	90	90