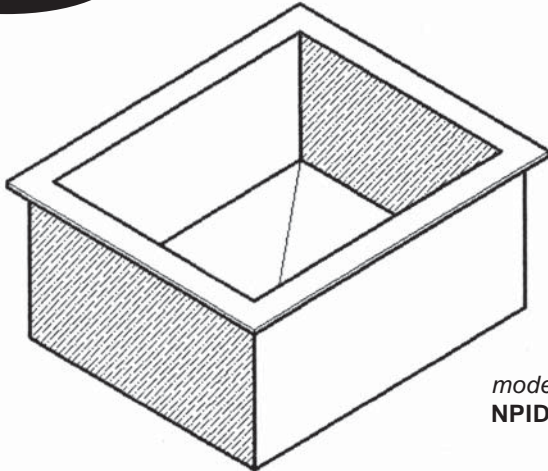


Project _____

Dealer _____

Item # _____ Quantity _____

PRO-LINE



model shown:
NPID-24

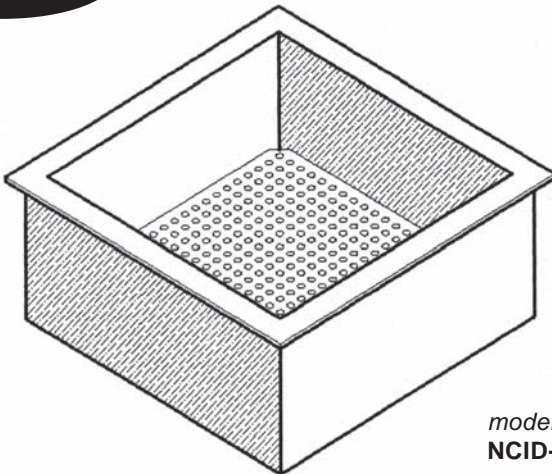
PRO-LINE SERIES 20" DEEP

model # (for different sizes call)	length
<input type="checkbox"/> NPID-18.....	18"
<input type="checkbox"/> NPID-24.....	24"
<input type="checkbox"/> NPID-30.....	30"
<input type="checkbox"/> NPID-36.....	36"
<input type="checkbox"/> NPID-42.....	42"
<input type="checkbox"/> NPID-48.....	48"

CUSTOM SERIES 24" DEEP

model # (for different sizes call)	length
<input type="checkbox"/> NCID-18.....	18"
<input type="checkbox"/> NCID-24.....	24"
<input type="checkbox"/> NCID-30.....	30"
<input type="checkbox"/> NCID-36.....	36"
<input type="checkbox"/> NCID-42.....	42"
<input type="checkbox"/> NCID-48.....	48"

CUSTOM



model shown:
NCID-24-FB
optional false bottom

STANDARD FEATURES

- 18 gauge #304 stainless
- Sound insulation undercoating
- Perimeter support flange
- Foam insulated ice bins
- 10" Inside deep ice bin

OPTIONAL FEATURES

model #	description
<input type="checkbox"/> RC.....	removable cover
<input type="checkbox"/> SLD.....	sliding cover
<input type="checkbox"/> FB.....	false bottom
<input type="checkbox"/> ID.....	ice bin divider
<input type="checkbox"/> M.....	modified size
<input type="checkbox"/> EDP (45% incr. in ice cap.).....	15" inside deep bin
<input type="checkbox"/> CP__ (8, 10 or 12 circuit).....	cold plate add on
<input type="checkbox"/> AS (instead of galv. side & bottom).....	all stainless st. upg.

*see options section for more details

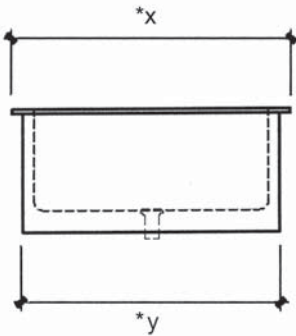
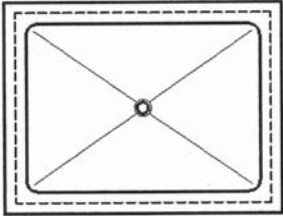
SPECIFICATIONS

PLUMBING:

- 1" drain connection (w/o cold plates)
- 1/2" drain connection w/cold plate (8-circuit)
- 3/4" drain connection w/cold plate (10 or 12 circuit)

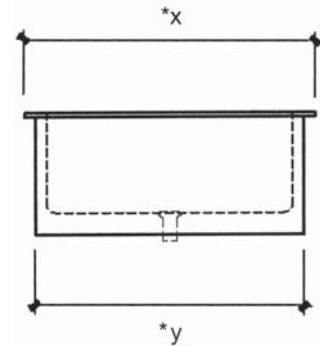
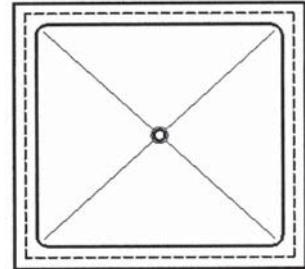
PRO-LINE

model shown:
NPID-*X



CUSTOM

model shown:
NCID-*X

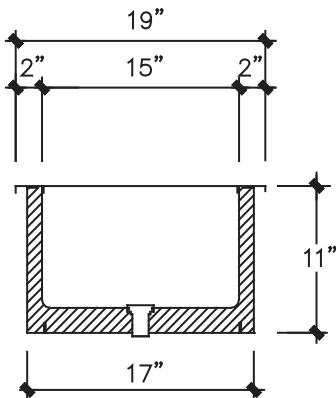


*x = Width of the ice bin w/ the flanges

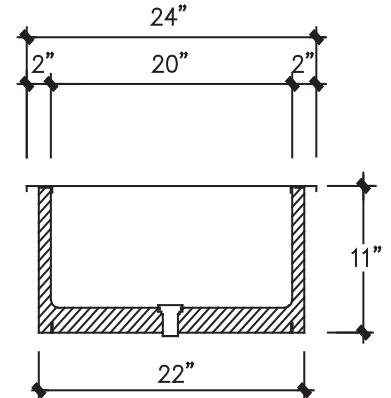
** = Body height becomes 16" w/ a cold plate or a extra deep bin option

TECHNICAL DATA

model #	length *x	length *y	ice capacity (lbs.)	shipping weight (lbs.)	cut out size
NPID-18	18"	16"	50	60	17 1/4"x16 1/4"
NPID-24	24"	22"	60	70	17 1/4"x22 1/4"
NPID-30	30"	28"	70	80	17 1/4"x28 1/4"
NPID-36	36"	34"	80	90	17 1/4"x34 1/4"
NPID-42	42"	40"	90	100	17 1/4"x40 1/4"
NPID-48	48"	46"	100	110	17 1/4"x46 1/4"
NCID-18	18"	16"	60	70	22 1/4"x16 1/4"
NCID-24	24"	22"	70	80	22 1/4"x22 1/4"
NCID-30	30"	28"	80	90	22 1/4"x28 1/4"
NCID-36	36"	34"	90	100	22 1/4"x34 1/4"
NCID-42	42"	40"	100	110	22 1/4"x40 1/4"
NCID-48	48"	46"	110	120	22 1/4"x46 1/4"



SECTION (PRO-LINE)



SECTION (CUSTOM)