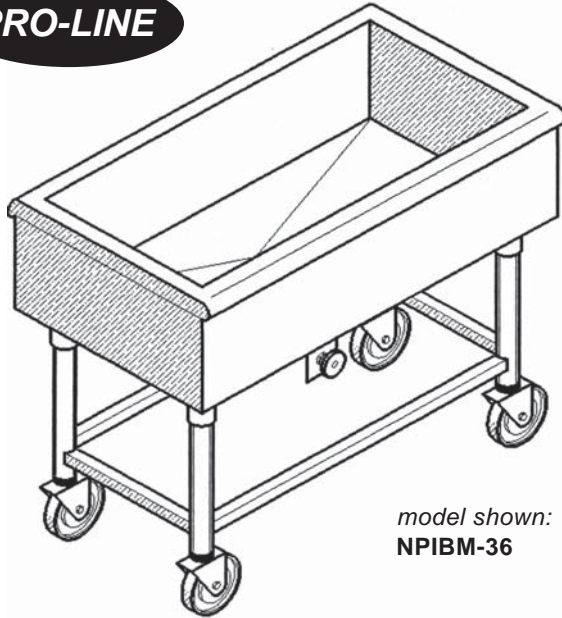


Project _____

Dealer _____

Item # _____ Quantity _____

PRO-LINE



model shown:
NPIBM-36

CUSTOM



model shown:
NCIBM-36-PH-SLD

optional pull handle
& sliding cover

PRO-LINE SERIES 20" DEEP

model # (for different sizes call)	length
<input type="checkbox"/> NPIBM-24.....	24"
<input type="checkbox"/> NPIBM-30.....	30"
<input type="checkbox"/> NPIBM-36.....	36"
<input type="checkbox"/> NPIBM-42.....	42"
<input type="checkbox"/> NPIBM-48.....	48"

CUSTOM SERIES 24" DEEP

model # (for different sizes call)	length
<input type="checkbox"/> NCIBM-24.....	24"
<input type="checkbox"/> NCIBM-30.....	30"
<input type="checkbox"/> NCIBM-36.....	36"
<input type="checkbox"/> NCIBM-42.....	42"
<input type="checkbox"/> NCIBM-48.....	48"

STANDARD FEATURES

- 18 gauge #304 stainless
- Heavy duty stainless gussets, legs, adj. feet & support channels
- Sound insulation undercoating
- Foam insulated ice bins
- Swivel casters
- Leg supports
- Gate valve drain
- 10" Inside deep ice bin (for Pro-Line series)
- 15" Inside deep ice bin (for Custom series)

OPTIONAL FEATURES

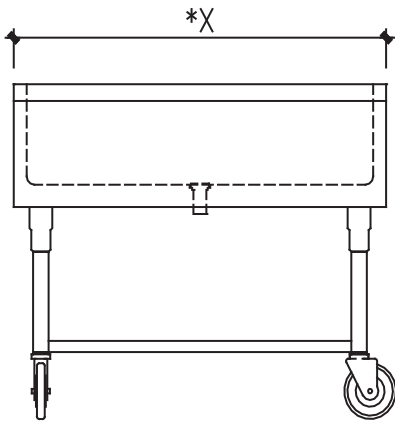
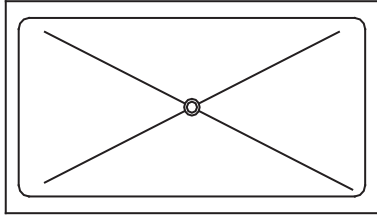
model #	description
<input type="checkbox"/> RC.....	removable cover
<input type="checkbox"/> APR (removable).....	hinged apron frnt pnl
<input type="checkbox"/> SLD.....	sliding cover
<input type="checkbox"/> PH.....	pull handle
<input type="checkbox"/> M.....	modified size
<input type="checkbox"/> FB.....	false bottom
<input type="checkbox"/> ID.....	ice bin dividier
<input type="checkbox"/> BS.....	bottom shelf
<input type="checkbox"/> EDP (50% incr. in ice cap.).....	15" deep bin
<input type="checkbox"/> AS (instead of galv. bottom)...	all stainless st. upg.

*see options section for more details



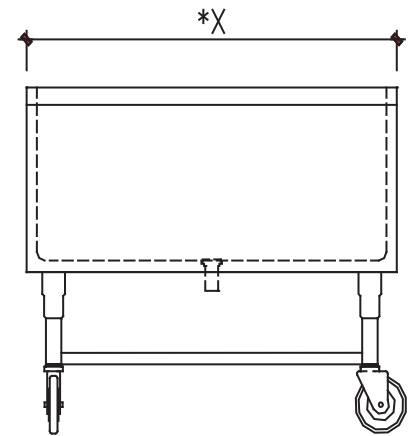
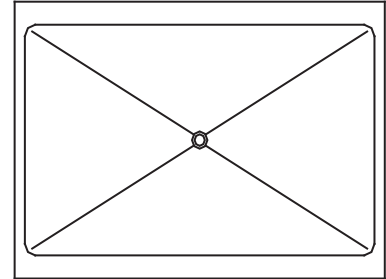
PRO-LINE

model shown:
NPIDM-*X



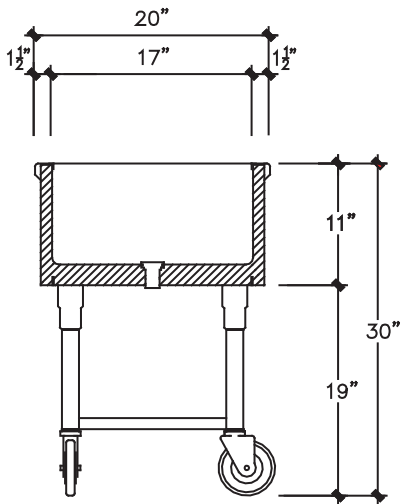
CUSTOM

model shown:
NCIDM-*X

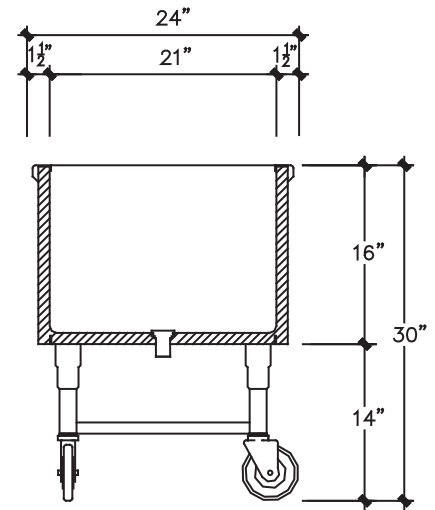


TECHNICAL DATA

model #	length *X	ice capacity (lbs.)	shipping weight (lbs.)
NPIBM-24	24"	90	70
NPIBM-30	30"	100	80
NPIBM-36	36"	110	90
NPIBM-42	42"	120	100
NPIBM-48	48"	130	110
NCIBM-24	24"	105	80
NCIBM-30	30"	115	90
NCIBM-36	36"	125	100
NCIBM-42	42"	135	110
NCIBM-48	48"	145	120



SECTION (PRO-LINE)



SECTION (CUSTOM)