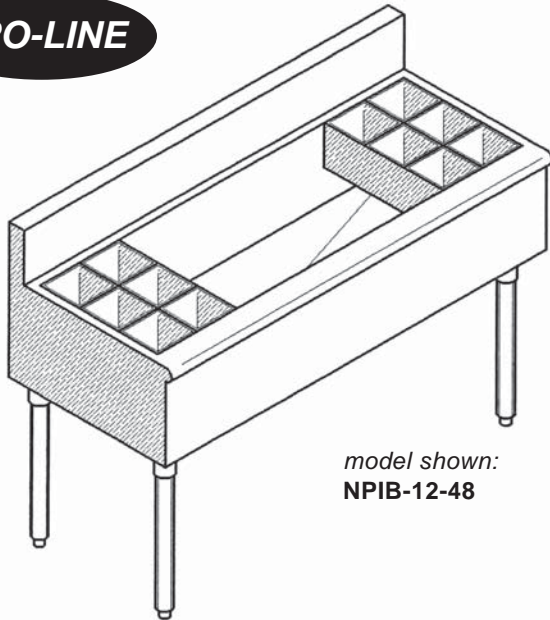


Project _____

Dealer _____

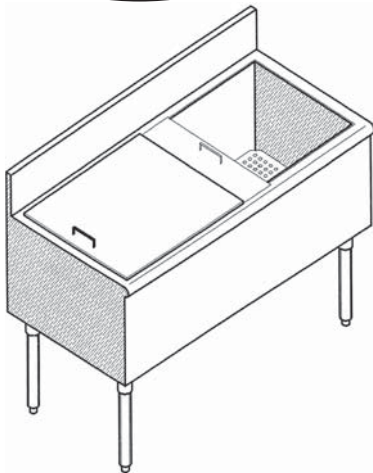
Item # _____ Quantity _____

PRO-LINE



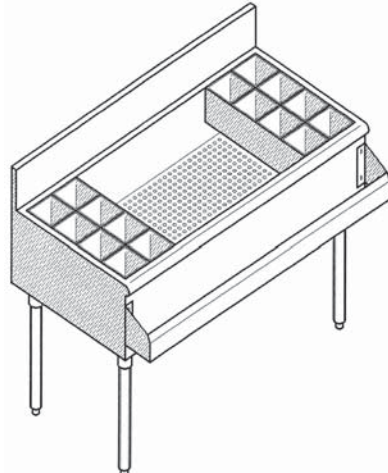
model shown:
NPIB-12-48

CUSTOM



model shown:
NCIB-0-48-SLD-FB

optional sliding cover & false bottom



model shown:
NCIB-16-48-SR-FB

optional speed rail & false bottom

SPECIFICATIONS

PLUMBING:

- 1" drain connection (w/o cold plates)
- 1/2" drain connection w/cold plate (8-circuit)
- 3/4" drain connection w/cold plate (10 or 12 circuit)



PRO-LINE SERIES 20" DEEP

model # (for different sizes call)	length
<input type="checkbox"/> NPIB-0-24.....	24"
<input type="checkbox"/> NPIB-0-30.....	30"
<input type="checkbox"/> NPIB-0-36.....	36"
<input type="checkbox"/> NPIB-3-24.....	24"
<input type="checkbox"/> NPIB-6-24.....	24"

CUSTOM SERIES 24" DEEP

model # (for different sizes call)	length
<input type="checkbox"/> NCIB-0-24.....	24"
<input type="checkbox"/> NCIB-0-30.....	30"
<input type="checkbox"/> NCIB-0-36.....	36"
<input type="checkbox"/> NCIB-4-24.....	24"
<input type="checkbox"/> NCIB-8-24.....	24"

STANDARD FEATURES

- 18 gauge #304 stainless
- Heavy duty stainless gussets, legs, adj. feet & support channels
- Bullnose front design
- Seamless tops
- Sound insulation undercoating
- Foam insulated ice bins
- Full ice bin width
- 6" High back splash
- 10" Inside deep ice bin

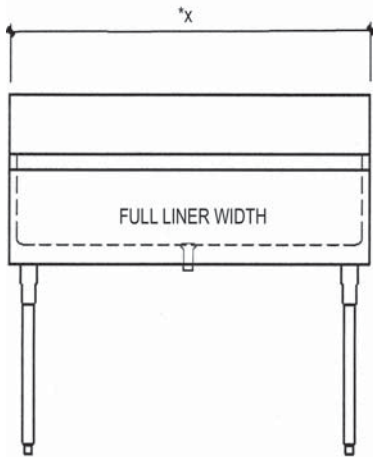
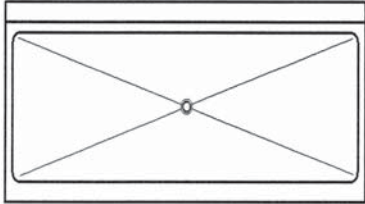
OPTIONAL FEATURES

model #	description
<input type="checkbox"/> BS.....	bottom shelf
<input type="checkbox"/> CT.....	condiment tray
<input type="checkbox"/> CB.....	cabinet base
<input type="checkbox"/> APR (removable).....	hinged apron frnt pnl
<input type="checkbox"/> DR (used w/ -CB).....	doors
<input type="checkbox"/> SR.....	speed rail
<input type="checkbox"/> DSR.....	double speed rail
<input type="checkbox"/> FB.....	false bottom
<input type="checkbox"/> EDP (45% incr. in ice cap.).....	15" inside deep bin
<input type="checkbox"/> CP__(8, 10 or 12 circuit).....	cold plate add on
<input type="checkbox"/> SN.....	soda notch
<input type="checkbox"/> RC.....	removable cover
<input type="checkbox"/> SLD.....	sliding cover
<input type="checkbox"/> ID.....	ice bin divider
<input type="checkbox"/> SP__(4", 8", 10", 12").....	high splash upg.
<input type="checkbox"/> AS (instead of galv. lower back)....	all stainless st. upg.
<input type="checkbox"/> SSF__(L-left, R-right, B-both).....	side splash add on
<input type="checkbox"/> M.....	modified size

*see options section for more details

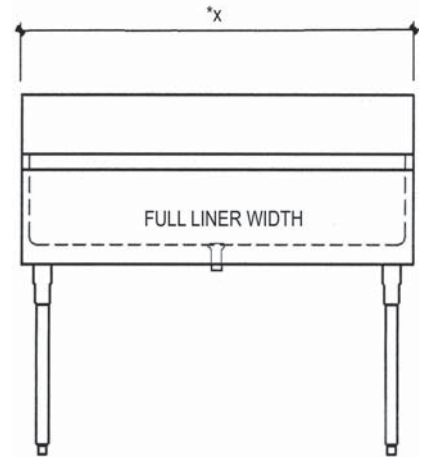
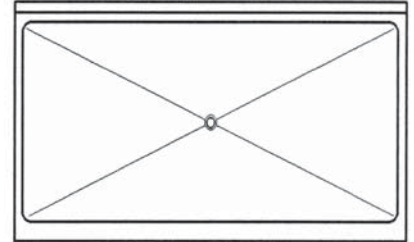
PRO-LINE

model shown:
NPIB-0-*X



CUSTOM

model shown:
NCIB-0-*X



TECHNICAL DATA

model #	# of bottle wells	length *x	ice capacity (lbs.)	shipping weight (lbs.)
NPIB-0-24	0	24"	90	70
NPIB-0-30	0	30"	100	80
NPIB-0-36	0	36"	110	90
NPIB-3-24	3	24"	90	70
NPIB-6-24	6	24"	90	70
NPIB-6-30	6	30"	100	80
NPIB-6-36	6	36"	110	90
NPIB-6-42	6	42"	120	100
NPIB-6-48	6	48"	130	110
NPIB-9-36	9	36"	110	90
NPIB-9-42	9	42"	120	100
NPIB-9-48	9	48"	130	110
NPIB-12-30	12	30"	100	80
NPIB-12-36	12	36"	110	90
NPIB-12-42	12	42"	120	100
NPIB-12-48	12	48"	130	110
NCIB-0-24	0	24"	100	80
NCIB-0-30	0	30"	110	90
NCIB-0-36	0	36"	120	100
NCIB-4-24	0	24"	100	80
NCIB-8-24	4	24"	100	80
NCIB-8-30	8	30"	110	90
NCIB-8-36	8	36"	120	100
NCIB-8-42	8	42"	130	110
NCIB-8-48	8	48"	140	120
NCIB-12-30	12	30"	110	90
NCIB-12-36	12	36"	120	100
NCIB-12-42	12	42"	130	110
NCIB-12-48	12	48"	140	120
NCIB-16-30	16	30"	110	90
NCIB-16-36	16	36"	120	100
NCIB-16-42	16	42"	130	110
NCIB-16-48	16	48"	140	120
NCIB-16-54	16	54"	150	130

SECTION (PRO-LINE)

SECTION (CUSTOM)