



SLANTED & RECESSED JOCKEY STATIONS

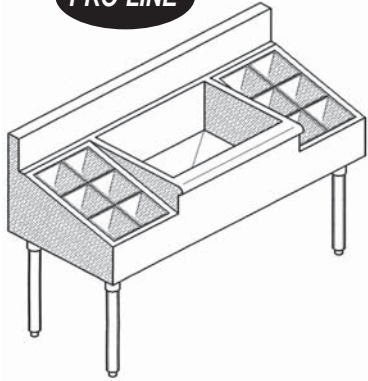
Project _____

Dealer _____

Item # _____ Quantity _____

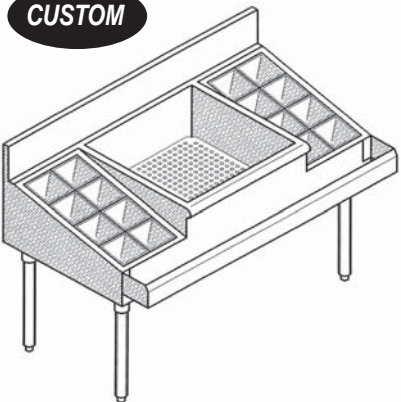
SLANTED

PRO-LINE



model shown:
NPJSS-12-48

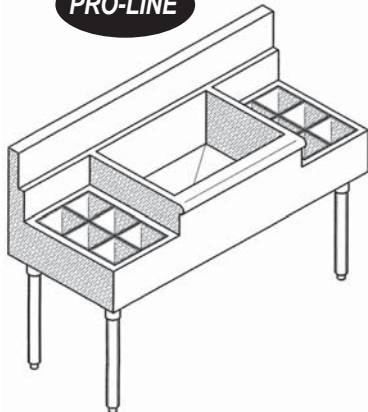
CUSTOM



model shown:
NCJSS-16-48-CP10-SR-FB
optional cold plate, speed rail
& false bottom

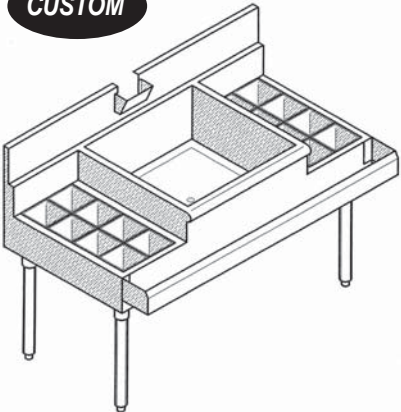
RECESSED

PRO-LINE



model shown:
NPJSR-12-48

CUSTOM



model shown:
NCJSR-16-48-CP10-SR
optional cold plate &
speed rail

SPECIFICATIONS

PLUMBING:

- 1" drain connections (w/o cold plates)
- 1/2" drain connect. w/cold plate (8-circuit)
- 3/4" drain connect. w/cold plate (10 or 12 circuit)



PRO-LINE SERIES 20" DEEP

model # (for different sizes call)	length
Slanted	
<input type="checkbox"/> NPJSS-3-30.....	30"
<input type="checkbox"/> NPJSS-6-36.....	36"
<input type="checkbox"/> NPJSS-9-42.....	42"
<input type="checkbox"/> NPJSS-12-48.....	48"
Recessed	
<input type="checkbox"/> NPJSR-3-30.....	30"
<input type="checkbox"/> NPJSR-6-36.....	36"
<input type="checkbox"/> NPJSR-9-42.....	42"
<input type="checkbox"/> NPJSR-12-48.....	48"

CUSTOM SERIES 24" DEEP

model # (for different sizes call)	length
Slanted	
<input type="checkbox"/> NCJSS-4-30.....	30"
<input type="checkbox"/> NCJSS-6-36.....	36"
<input type="checkbox"/> NCJSS-9-42.....	42"
<input type="checkbox"/> NCJSS-12-48.....	48"
Recessed	
<input type="checkbox"/> NCJSR-4-30.....	30"
<input type="checkbox"/> NCJSR-6-36.....	36"
<input type="checkbox"/> NCJSR-9-42.....	42"
<input type="checkbox"/> NCJSR-12-48.....	48"

STANDARD FEATURES

- Heavy duty stainless gussets, legs, adj. feet & support channels
- 18 gauge #304 stainless
- Bullnose front design
- Sound insulation undercoating
- Foam insulated ice bins
- Recessed bottle well design
- Stainless bottle cans
- Bottle wells
- 6" High back splash
- 10" Inside deep Ice Bin

OPTIONAL FEATURES

model #	description
<input type="checkbox"/> CT.....	condiment tray
<input type="checkbox"/> CB.....	cabinet base
<input type="checkbox"/> APR (removable).....	hinged apron frnt pnl
<input type="checkbox"/> DR (used w/ -CB).....	doors
<input type="checkbox"/> SR.....	speed rail
<input type="checkbox"/> DSR.....	double speed rail
<input type="checkbox"/> FB.....	false bottom
<input type="checkbox"/> EDP (35% incr. in ice cap.).....	15" inside deep bin (16" with CP opt.)
<input type="checkbox"/> CP__(8, 10 or 12 circuit).....	cold plate add on
<input type="checkbox"/> BC.....	beer chase
<input type="checkbox"/> SN.....	soda notch
<input type="checkbox"/> RC.....	removable cover
<input type="checkbox"/> SLD.....	sliding cover
<input type="checkbox"/> ID.....	ice bin divider
<input type="checkbox"/> SP__(4", 8", 10", 12").....	high splash upgrade
<input type="checkbox"/> AS (instead of galv. lower back).....	all stainless stl. upg.
<input type="checkbox"/> SSF__(L-left, R-right, B-both).....	side splash add on
<input type="checkbox"/> M.....	modified size

*see options section for more details

NATIONAL BAR SYSTEMS

16571 Burke Lane Huntington Beach, CA 92647

Phone: (714) 848-1688

Fax: (714) 848-2788

Website: www.nbsmfg.com

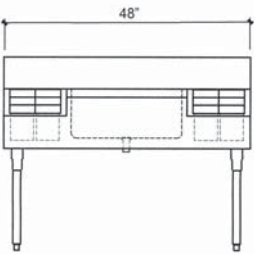


SLANTED & RECESSED JOCKEY STATIONS

SLANTED

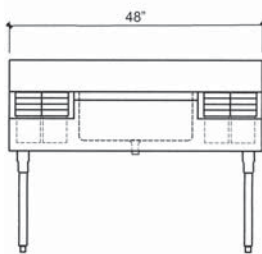
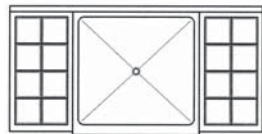
PRO-LINE

model shown:
NPJSS-12-48



CUSTOM

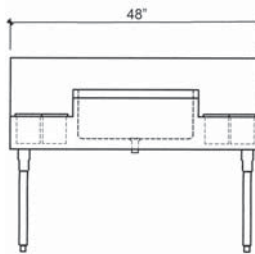
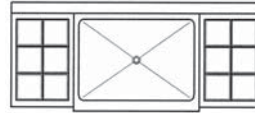
model shown:
NCJSS-16-48



RECESSED

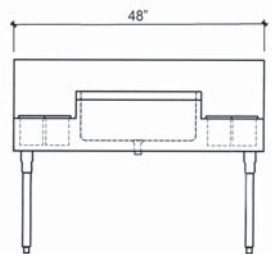
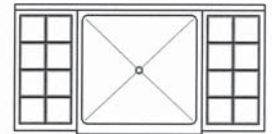
PRO-LINE

model shown:
NPJSR-12-48



CUSTOM

model shown:
NCJSR-16-48

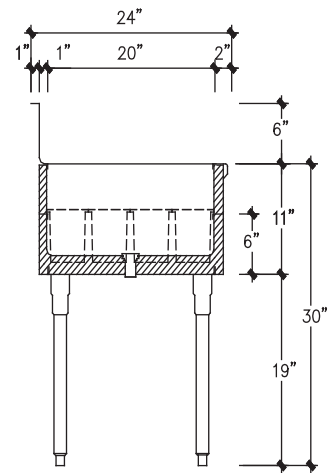
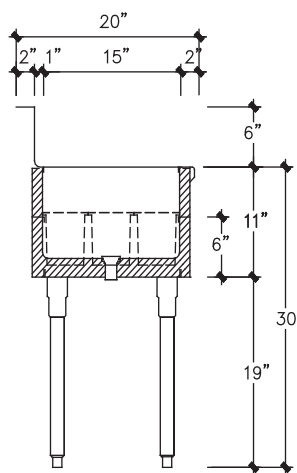
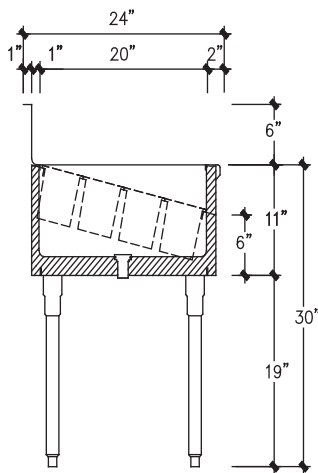
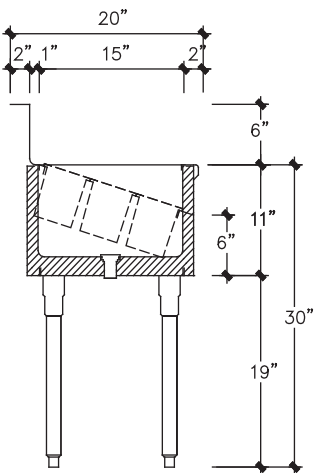


SLANTED TECHNICAL DATA

model #	length *x	bottle wells	ice capacity (lbs.)	shipping weight (lbs.)
NPJSS-3-30	30"	3	80	80
NPJSS-6-36	36"	6	80	90
NPJSS-9-42	42"	9	80	100
NPJSS-12-48	48"	12	80	110
NCJSS-4-30	30"	4	90	90
NCJSS-8-36	36"	8	90	100
NCJSS-12-42	42"	12	90	110
NCJSS-16-48	48"	16	90	120

RECESSED TECHNICAL DATA

model #	length *x	bottle wells	ice capacity (lbs.)	shipping weight (lbs.)
NPJSR-3-30	30"	3	80	80
NPJSR-6-36	36"	6	80	90
NPJSR-9-42	42"	9	80	100
NPJSR-12-48	48"	12	80	110
NCJSR-4-30	30"	4	90	90
NCJSR-8-36	36"	8	90	100
NCJSR-12-42	42"	12	90	110
NCJSR-16-48	48"	16	90	120



SLANTED SECTION (PRO-LINE)

SLANTED SECTION (CUSTOM)

RECESSED SECTION (PRO-LINE)

RECESSED SECTION (CUSTOM)

NATIONAL BAR SYSTEMS

16571 Burke Lane Huntington Beach, CA 92647

Phone: (714) 848-1688

Fax: (714) 848-2788

Website: www.nbsmf.com