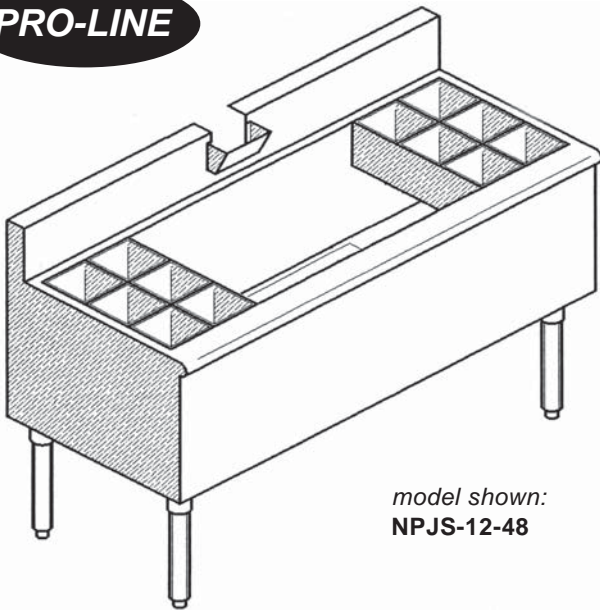


Project \_\_\_\_\_

Dealer \_\_\_\_\_

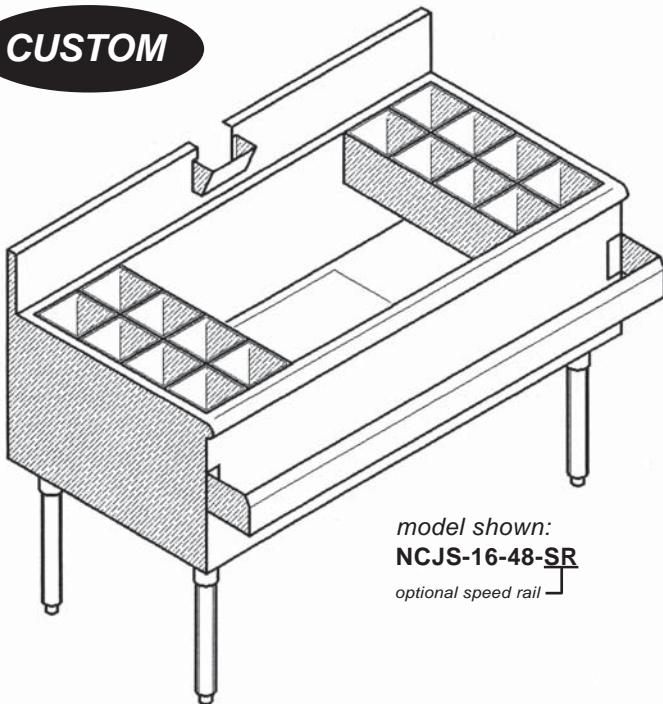
Item # \_\_\_\_\_ Quantity \_\_\_\_\_

## PRO-LINE



model shown:  
**NPJS-12-48**

## CUSTOM



model shown:  
**NCJS-16-48-SR**  
optional speed rail

## SPECIFICATIONS

### PLUMBING:

- 1/2" drain connection w/cold plate (8-circuit)
- 3/4" drain connection w/cold plate (10 or 12 circuit)



## PRO-LINE SERIES 20" DEEP

model #	length	model #	length
<input type="checkbox"/> NPJS-0-24.....	24"	<input type="checkbox"/> NPJS-6-42.....	42"
<input type="checkbox"/> NPJS-0-30.....	30"	<input type="checkbox"/> NPJS-9-42.....	42"
<input type="checkbox"/> NPJS-0-36.....	36"	<input type="checkbox"/> NPJS-0-48.....	48"
<input type="checkbox"/> NPJS-0-42.....	42"	<input type="checkbox"/> NPJS-6-48.....	48"
<input type="checkbox"/> NPJS-6-24.....	24"	<input type="checkbox"/> NPJS-9-48.....	48"
<input type="checkbox"/> NPJS-6-30.....	30"	<input type="checkbox"/> NPJS-12-48.....	48"
<input type="checkbox"/> NPJS-6-36.....	36"		

## CUSTOM SERIES 24" DEEP

model #	length	model #
<input type="checkbox"/> NCJS-0-24.....	24"	<input type="checkbox"/> NCJS-8-42.....
<input type="checkbox"/> NCJS-0-30.....	30"	<input type="checkbox"/> NCJS-12-42.....
<input type="checkbox"/> NCJS-0-36.....	36"	<input type="checkbox"/> NCJS-0-48.....
<input type="checkbox"/> NCJS-0-42.....	42"	<input type="checkbox"/> NCJS-8-48.....
<input type="checkbox"/> NCJS-8-24.....	24"	<input type="checkbox"/> NCJS-12-48.....
<input type="checkbox"/> NCJS-8-30.....	30"	<input type="checkbox"/> NCJS-16-48.....
<input type="checkbox"/> NCJS-8-36.....	36"	

## STANDARD FEATURES

- 18 gauge #304 stainless
- Heavy duty stainless gussets, legs, adj. feet & support channels
- Bullnose front design
- Sound insulation undercoating
- Soda lines notch, bottle wells & drain
- Foam insulated ice bins
- 8-circuit cold plate
- Stainless bottle well cans
- Full ice bin width
- 6" High back splash
- 12" Inside deep ice bin

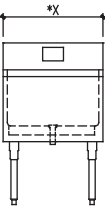
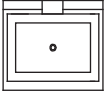
## OPTIONAL FEATURES

model #	description
<input type="checkbox"/> CT.....	condiment tray
<input type="checkbox"/> CB.....	cabinet base
<input type="checkbox"/> APR__(removable).....	hinged apron frnt pnl
<input type="checkbox"/> DR (used w/ -CB).....	doors
<input type="checkbox"/> SR.....	speed rail
<input type="checkbox"/> DSR.....	double speed rail
<input type="checkbox"/> FB.....	false bottom
<input type="checkbox"/> EDP (35% incr. in ice cap.).....	15" inside deep bin
<input type="checkbox"/> BC.....	beer chase
<input type="checkbox"/> SN.....	soda notch
<input type="checkbox"/> RC.....	removable cover
<input type="checkbox"/> SLD.....	sliding cover
<input type="checkbox"/> ID.....	ice bin divider
<input type="checkbox"/> SP__(4", 8", 10", 12").....	high splash upgrade
<input type="checkbox"/> CPU__(10 or 12 circuit).....	cold plate upgrade
<input type="checkbox"/> AS (instead of galv. lower back).....	all stainless st. upg.
<input type="checkbox"/> SSF__(L-left, R-right, B-both).....	side splash add on
<input type="checkbox"/> M.....	modified size

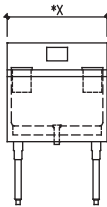
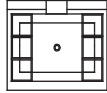
\*see options section for more details

## PRO-LINE

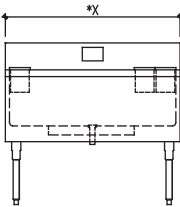
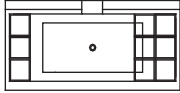
for models:  
NPJS-0-\*X



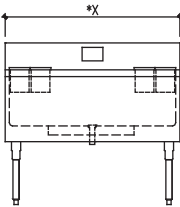
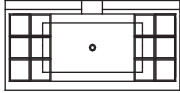
for models:  
NPJS-6-\*X



for models:  
NPJS-9-\*X

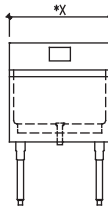
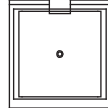


for models:  
NPJS-12-\*X

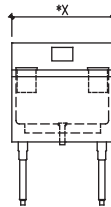
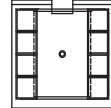


## CUSTOM

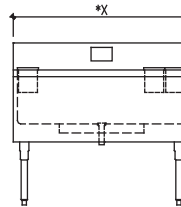
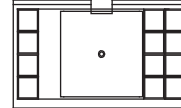
for models:  
NCJS-0-\*X



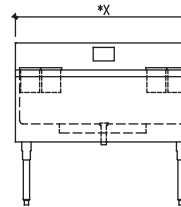
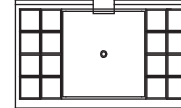
for models:  
NCJS-6-\*X



for models:  
NCJS-12-\*X

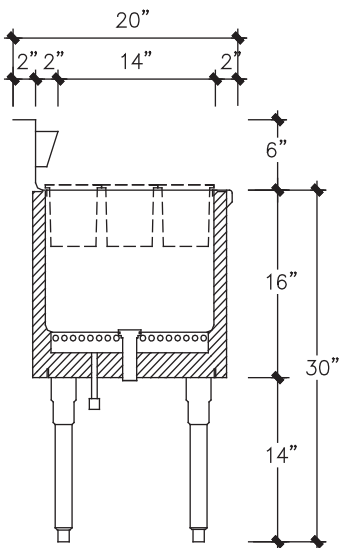


for models:  
NCJS-16-\*X

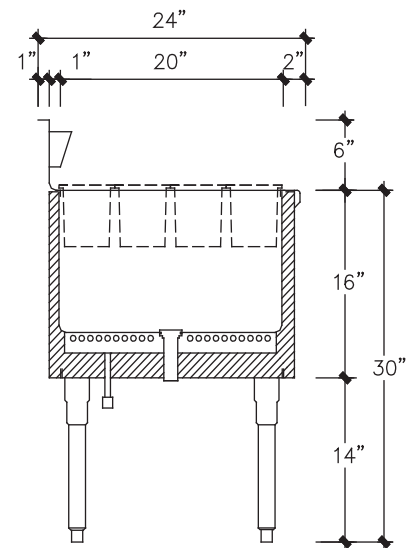


### TECHNICAL DATA

model #	length *X	bottle wells	ice capacity (lbs.)	shipping weight (lbs.)
NPJS-0-24	24"	0	80	70
NPJS-0-30	30"	0	90	80
NPJS-0-36	36"	0	100	90
NPJS-0-42	42"	0	120	100
NPJS-0-48	48"	0	130	125
NPJS-6-24	24"	6	80	70
NPJS-6-30	30"	6	90	80
NPJS-6-36	36"	6	100	90
NPJS-6-42	42"	6	120	100
NPJS-9-42	42"	9	120	105
NPJS-12-42	42"	12	120	110
NPJS-9-48	48"	9	130	125
NPJS-12-48	48"	12	130	130
NCJS-0-24	24"	0	90	80
NCJS-0-30	30"	0	110	90
NCJS-0-36	36"	0	130	100
NCJS-0-42	42"	0	140	110
NCJS-0-48	48"	0	150	115
NCJS-8-24	24"	8	90	80
NCJS-8-30	30"	8	110	90
NCJS-8-36	36"	8	130	100
NCJS-8-42	42"	8	140	110
NCJS-12-42	42"	12	140	115
NCJS-8-48	48"	8	150	130
NCJS-12-48	48"	12	150	135
NCJS-16-48	48"	16	150	140



**SECTION (PRO-LINE)**



**SECTION (CUSTOM)**