



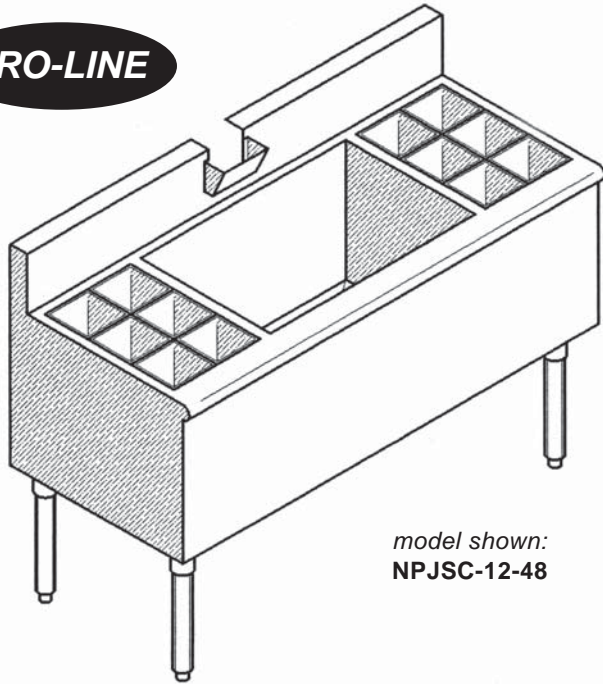
CLASSIC COLD PLATE JOCKEY STATIONS

Project _____

Dealer _____

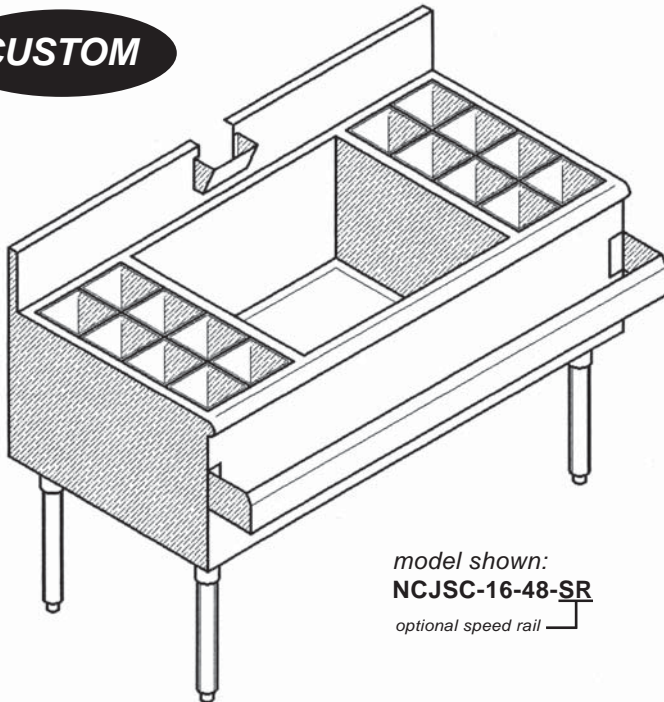
Item # _____ Quantity _____

PRO-LINE



model shown:
NPJSC-12-48

CUSTOM



model shown:
NCJSC-16-48-SR
optional speed rail

SPECIFICATIONS

PLUMBING:

- 1/2" drain connection w/cold plate (8-circuit)
- 3/4" drain connection w/cold plate (10 or 12 circuit)

PRO-LINE SERIES 20" DEEP

model # (for different sizes call)	length
<input type="checkbox"/> NPJSC-6-24	24"
<input type="checkbox"/> NPJSC-6-30	30"
<input type="checkbox"/> NPJSC-6-36	36"
<input type="checkbox"/> NPJSC-9-42	42"
<input type="checkbox"/> NPJSC-12-48	48"

CUSTOM SERIES 24" DEEP

model # (for different sizes call)	length
<input type="checkbox"/> NCJSC-8-24	24"
<input type="checkbox"/> NCJSC-8-30	30"
<input type="checkbox"/> NCJSC-8-36	36"
<input type="checkbox"/> NCJSC-12-42	42"
<input type="checkbox"/> NCJSC-16-48	48"

STANDARD FEATURES

- 18 gauge #304 stainless
- Heavy duty stainless gussets, legs, adj. feet & support channels
- Bullnose front design
- Sound insulation undercoating
- Soda lines notch, bottle wells & drain
- Foam insulated ice bin
- Sealed-in 8-circuit cold plate (*Pro-Line series*)
- Sealed-in 10-circuit cold plate (*Custom series*)
- Stainless bottle cans
- 6" High back splash
- 12" Inside deep ice bin

OPTIONAL FEATURES

model #	description
<input type="checkbox"/> CT	condiment tray
<input type="checkbox"/> CB	cabinet base
<input type="checkbox"/> APR (removable)	hinged apron frnt pnl
<input type="checkbox"/> DR (used w/ -CB)	doors
<input type="checkbox"/> SR	speed rail
<input type="checkbox"/> DSR	double speed rail
<input type="checkbox"/> FB	false bottom
<input type="checkbox"/> EDP (35% incr. in ice cap)	16" inside deep bin
<input type="checkbox"/> BC	beer chase
<input type="checkbox"/> SN	soda notch
<input type="checkbox"/> RC	removable cover
<input type="checkbox"/> SLD	sliding cover
<input type="checkbox"/> ID	ice bin divider
<input type="checkbox"/> SP_(4", 8", 10", 12")	high splash upgrade
<input type="checkbox"/> CPU_(10 or 12 circuit)	cold plate upgrade
<input type="checkbox"/> AS (instead of galv. lower back)	all stainless st. upg.
<input type="checkbox"/> SSF_(L-left, R-right, B-both)	side splash add on
<input type="checkbox"/> M	modified size

*see options section for more details



NATIONAL BAR SYSTEMS

16571 Burke Lane Huntington Beach, CA 92647

Phone: (714) 848-1688

Fax: (714) 848-2788

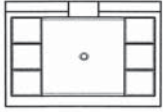
Website: www.nbsmfg.com



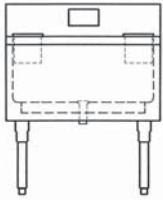
CLASSIC COLD PLATE JOCKEY STATIONS

PRO-LINE

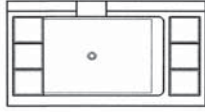
model shown:
NPJSC-6-24



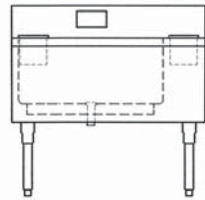
24"



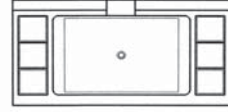
model shown:
NPJSC-6-30



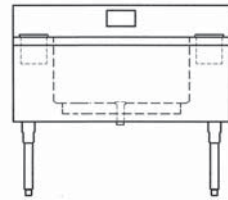
30"



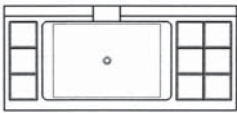
model shown:
NPJSC-6-36



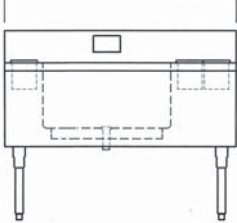
36"



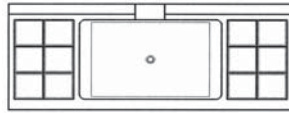
model shown:
NPJSC-9-42



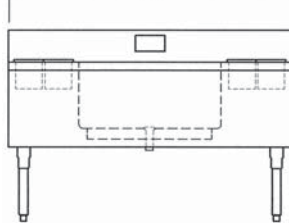
42"



model shown:
NPJSC-12-48



48"

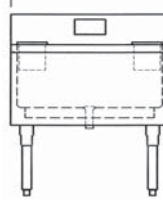


CUSTOM

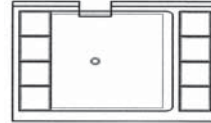
model shown:
NCJSC-8-24



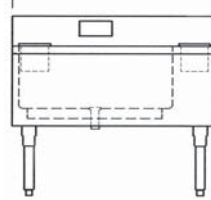
24"



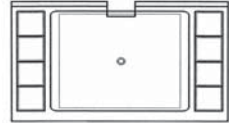
model shown:
NCJSC-8-30



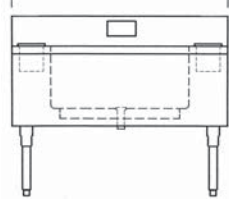
30"



model shown:
NCJSC-8-36



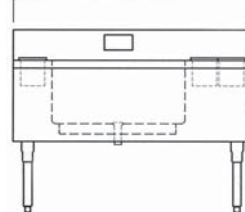
36"



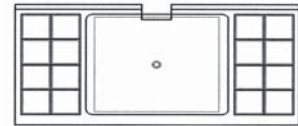
model shown:
NCJSC-12-42



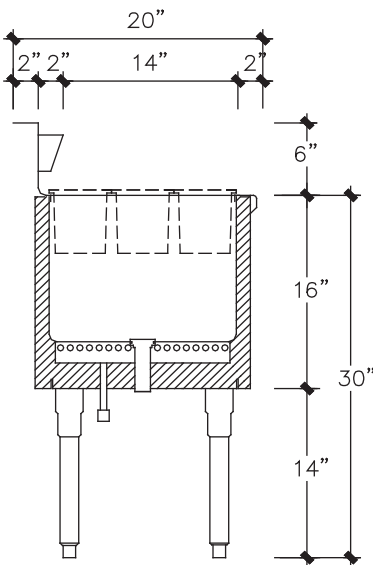
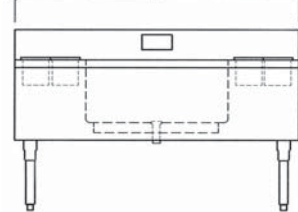
42"



model shown:
NCJSC-16-48



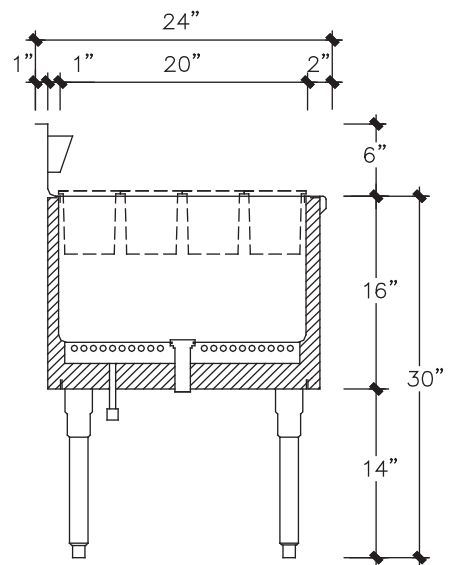
48"



SECTION (PRO-LINE)

TECHNICAL DATA

model #	length	bottle wells	ice capacity (lbs.)	shipping weight (lbs.)
NPJSC-6-24	24"	6	80	140
NPJSC-6-30	30"	6	80	145
NPJSC-6-36	36"	6	80	155
NPJSC-9-42	42"	9	80	165
NPJSC-12-48	42"	12	80	175
NCJSC-8-24	24"	8	90	150
NCJSC-8-30	30"	8	90	155
NCJSC-8-36	36"	8	90	160
NCJSC-12-42	42"	12	90	170
NCJSC-16-48	42"	16	90	180



SECTION (CUSTOM)