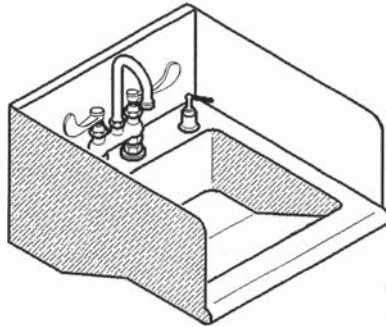


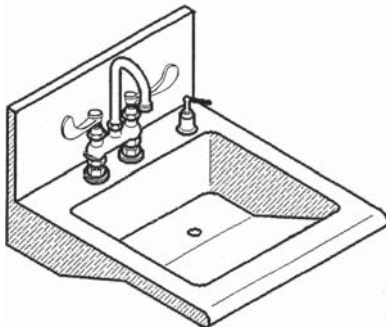
## WALL MOUNT

model shown:  
NHS-5



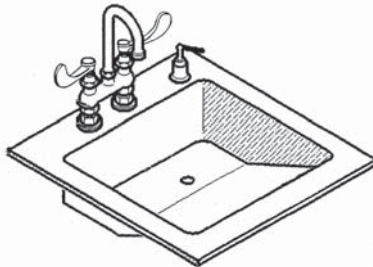
## WALL MOUNT

model shown:  
NHS-5E



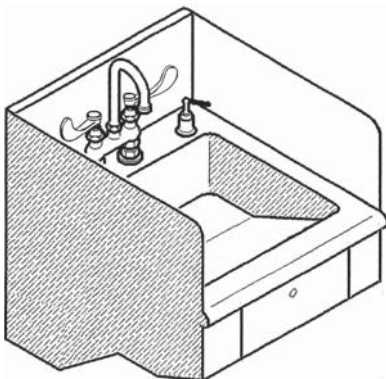
## DROP-IN

model shown:  
NHS-5D



## WALL MOUNT

model shown:  
NHS-5T  
(NHS-5TE - w/o side splashes)



## SPECIFICATIONS

### PLUMBING:

- 1/2" NPS cold and hot connections
- 1" NPS brass drain connection

Project \_\_\_\_\_

Dealer \_\_\_\_\_

Item # \_\_\_\_\_ Quantity \_\_\_\_\_

## MODELS

model #	length
<input type="checkbox"/> NHS-5 (ada compliant wall mount).....	20"
<input type="checkbox"/> NHS-5E (economy ada compliant wall mount)..	20"
<input type="checkbox"/> NHS-5D (drop-in ada compliant wall mount)....	20"
<input type="checkbox"/> NHS-5T (ada wall mount w/ towel dispenser)..	20"

## STANDARD FEATURES

- ADA compliant
- 18 gauge #304 stainless
- Bullnose front design
- Seamless tops pitched to sinks
- Towel dispenser (only NHS-5T)
- Soap dispenser
- Low lead certified goose neck deck faucet
- Wall mount brackets
- 6" High back splash (only NHS-5, NHS-5E, NHS-5T)
- Left and right side splashes (only NHS-5, NHS-5T)
- 16.75" x 16" x 4.75"dp stainless steel sink bowl
- Wrist blade handles

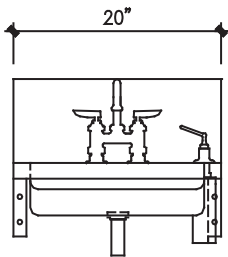
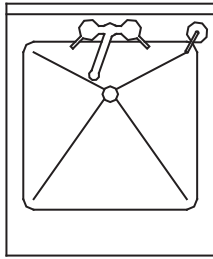
## OPTIONAL FEATURES

model #	description
<input type="checkbox"/> CF (low lead certified).....	Chicago faucet upg.
<input type="checkbox"/> SF (low lead certified).....	stainless steel faucet upg.
<input type="checkbox"/> SP_(4", 8", 10", 12").....	high splash upg.
<input type="checkbox"/> CFGB.....	battery electric faucet
<input type="checkbox"/> CFGP.....	plug electric fct
<input type="checkbox"/> CFGW.....	hardwire elect fct
<input type="checkbox"/> DUP (used w/ -cfgw).....	duplex add on
<input type="checkbox"/> QUP (used w/ -cfgw).....	quad-plex add on
<input type="checkbox"/> M.....	modified size

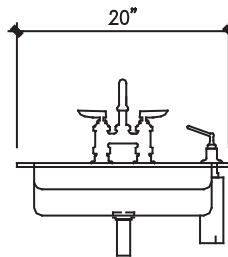
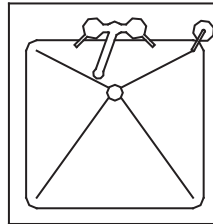
\*see options section for more details



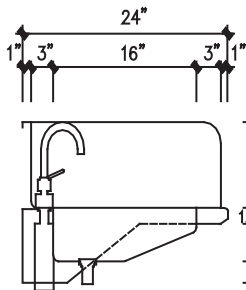
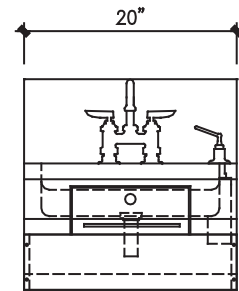
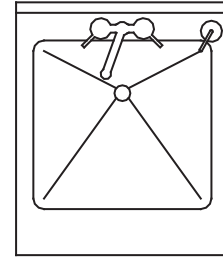
## NHS-5 & NHS-5E



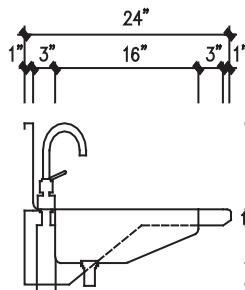
## NHS-5D



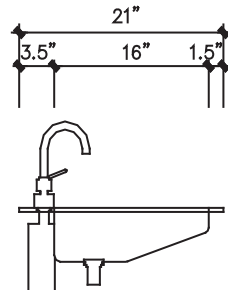
## NHS-5T



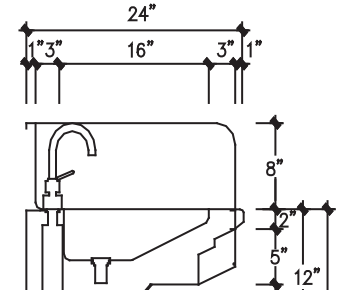
**SECTION (NHS-5)**



**SECTION (NHS-5E)**



**SECTION (NHS-5D)**



**SECTION (NHS-5T)**

model #	shipping weight (lbs.)	model #	shipping weight (lbs.)
NHS-5	65	NHS-5D	55
NHS-5E (no side splashes)	60	NHS-5T	75